



ERSATZTEILKATALOG



Porter D120 E5 - 2010-2015

Vorsatzcode Fahrgestell: ZAPS90CK, ZAPS90PK, ZAPS90TK, ZAPS90VK
Vorsatzcode Motor: BDT1M

Diesel Standard

MXUR0KT001

Inhaltsverzeichnis

| | |
|--|----|
| Fertige Produkte..... | 5 |
| Alphanumerisches Verzeichnis..... | 20 |
| Motor..... | 33 |
| Tafel 01.01 - Motor, komplett..... | 33 |
| Tafel 01.04 - Kurbelwelle..... | 34 |
| Tafel 01.06 - Zylinderblock..... | 35 |
| Tafel 01.07 - Einheit Kolben..... | 37 |
| Tafel 01.08 - Einheit Kopf - Ventil..... | 38 |
| Tafel 01.09 - Schwinghebelhalterung..... | 40 |
| Tafel 01.10 - Zylinderkopfabdeckung..... | 41 |
| Tafel 01.14 - Ventilsteuerungsriemen und Deckel..... | 42 |
| Tafel 01.15 - Ölpumpe..... | 43 |
| Tafel 01.16 - Wasserpumpe..... | 44 |
| Tafel 01.17 - Starter - Elektrischer starter..... | 45 |
| Tafel 01.19 - Lichtmaschine..... | 46 |
| Tafel 01.21 - Ölfilter..... | 47 |
| Tafel 01.25 - Hinterachsantrieb..... | 48 |
| Tafel 01.26 - Getriebegehäuse..... | 51 |
| Tafel 01.27 - Schaltgetriebe..... | 53 |
| Tafel 01.28 - Schalthebel..... | 56 |
| Tafel 01.29 - Interne Schaltsegmente..... | 58 |
| Tafel 01.30 - Kupplung..... | 59 |
| Tafel 01.32 - Drosselkörper und Einspritzdüsen..... | 60 |
| Tafel 01.33 - Einlass- und Auslassstutzen..... | 61 |
| Tafel 01.37 - Auspufftopf..... | 63 |
| Tafel 01.38 - Luftfilter..... | 65 |
| Tafel 01.40 - Ölwanne..... | 66 |
| Tafel 01.41 - Nockenwelle..... | 67 |
| Tafel 01.42 - Zwischenwelle - Gegenwelle..... | 68 |
| Tafel 01.43 - Kreislauf Ventil EGR..... | 69 |
| Tafel 01.44 - Ich rezirkuliere Dampföl..... | 70 |
| Fahrgestell - Plastformteil - Karosserien..... | 71 |
| Tafel 02.02 - Rahmen/ vordere Karosserieteile..... | 71 |
| Tafel 02.03 - Rahmen/ seitliche Karosserieteile..... | 73 |
| Tafel 02.04 - Rahmen/Karosserie hinten..... | 76 |
| Tafel 02.06 - Motorhalterungen..... | 78 |
| Tafel 02.07 - Vordere Türen - Scheibe..... | 79 |
| Tafel 02.08 - Bauteile vordere Türen..... | 81 |
| Tafel 02.09 - Hintere Türen - Scheibe..... | 82 |
| Tafel 02.10 - Komponenten der Türen hinten..... | 84 |
| Tafel 02.11 - Hintere Klappe - Scheibe..... | 87 |
| Tafel 02.13 - Kabinenbauteile..... | 88 |
| Tafel 02.14 - Sicherheitsgurte..... | 90 |

| | |
|--|-----|
| Tafel 02.15 - Dachpaneel..... | 91 |
| Tafel 02.16 - Isolierpaneele - Zierleisten..... | 92 |
| Tafel 02.17 - Hinteres Bodenpaneel..... | 93 |
| Tafel 02.18 - Offene Ladefläche..... | 95 |
| Tafel 02.19 - Offene Ladefläche - (Tipper)..... | 100 |
| Tafel 02.20 - Ladeflächenbauteile..... | 101 |
| Tafel 02.21 - Ladeflächen-Bordwände..... | 103 |
| Tafel 02.22 - Ladeflächen-Bordwände (Tipper)..... | 109 |
| Tafel 02.23 - Kippsystem..... | 111 |
| Tafel 02.24 - Kippumpe - Bestandteile..... | 114 |
| Tafel 02.25 - Windschutzscheibe - Scheiben..... | 115 |
| Tafel 02.26 - Fensterheber vorne und hinten..... | 116 |
| Tafel 02.27 - Hintere Seitenfenster - Paneele..... | 117 |
| Tafel 02.29 - Vorderes Bodenpaneel..... | 118 |
| Tafel 02.30 - Verkleidungen vorne..... | 119 |
| Tafel 02.31 - Hinterabdeckung..... | 121 |
| Tafel 02.32 - Plaketten - Verzierungen..... | 123 |
| Tafel 02.33 - Vordersitze..... | 124 |
| Tafel 02.34 - Rücksitze..... | 126 |
| Tafel 02.35 - Innenverkleidungen..... | 127 |
| Tafel 02.36 - Rückspiegel/n..... | 128 |
| Tafel 02.37 - Schloßen..... | 129 |
| Tafel 02.38 - Benzintank..... | 130 |
| Tafel 02.39 - Benzintank II..... | 132 |
| Tafel 02.43 - Kühlanlage..... | 134 |
| Tafel 02.44 - Bauteile Kühlanlage..... | 138 |
| Tafel 02.45 - Heizungsanlage..... | 139 |
| Tafel 02.47 - Klimaanlage..... | 141 |
| Tafel 02.49 - Wärmeaustauscher..... | 143 |
| Lenker/Lenkung..... | 145 |
| Tafel 03.02 - Cockpitinstrumente - Cruscotto..... | 145 |
| Tafel 03.04 - Mittlerer Tunnel..... | 147 |
| Tafel 03.06 - Lenkradartikulation..... | 148 |
| Tafel 03.08 - Lenkrad..... | 150 |
| Radaufhängungen..... | 151 |
| Tafel 04.01 - Schwingarm..... | 151 |
| Tafel 04.03 - Vordere Radaufhängung - Stoßdämpfer..... | 152 |
| Tafel 04.04 - Vorderradnabe..... | 153 |
| Tafel 04.05 - Hintere Radaufhängung - Stoßdämpfer..... | 154 |
| Tafel 04.06 - Vorderräder und Hinterräder..... | 155 |
| Tafel 04.07 - Ersatzrad - Werkzeugtasche..... | 156 |
| Bremsanlage - Bowdenzüge..... | 157 |
| Tafel 05.01 - Front bremschlauchen - Pumpe..... | 157 |
| Tafel 05.02 - Bremschlauchen - Bremszangen..... | 158 |
| Tafel 05.03 - Bremschlauchen - Bremszangen II..... | 160 |

| | |
|--|-----|
| Tafel 05.04 - Bremsleitungen Hinterradbremse..... | 162 |
| Tafel 05.06 - Feststellbremse..... | 163 |
| Tafel 05.07 - Bremsbackensätzen..... | 164 |
| Tafel 05.08 - Steuerpedal - Hebeln..... | 165 |
| Tafel 05.09 - Gaspedal..... | 167 |
| Elektrische Anlage..... | 168 |
| Tafel 06.01 - Wechselschalter - Umschalter - Druckschalter - Schalter..... | 168 |
| Tafel 06.02 - Vorderleuchten - Blinkleuchten..... | 169 |
| Tafel 06.03 - Hinterleuchten - Blinkleuchten..... | 171 |
| Tafel 06.04 - Fernschalteren - Batterie - Hupe..... | 174 |
| Tafel 06.06 - Steuerelektroniken - Sensoren..... | 176 |
| Tafel 06.07 - Hauptkabelbaum..... | 177 |
| Tafel 06.08 - Hauptkabelbaum II..... | 178 |
| Tafel 06.09 - Bauteile elektrische Anlage..... | 179 |
| Tafel 06.12 - Vorderer und hinterer Scheibenwischer..... | 180 |
| Tafel 06.13 - Optional..... | 184 |

Fertige Produkte

| Code | Gültigkeit |
|------------|------------|
| MF5R0ET002 | |
| MF5R0KT002 | |
| MF5R2KT002 | |
| MF5R6KT002 | |
| MF5R8ET002 | |
| MF5R8KT002 | |
| MF5RDKT002 | |
| MF5RKKT002 | |
| MF5V0ET002 | |
| MF5V0KT001 | |
| MF5V0KT002 | |
| MF5V2EC002 | |
| MF5V6EC002 | |
| MF5V8ET002 | |
| MF5V8KT001 | |
| MF5V8KT002 | |
| MF5VDEC002 | |
| MF5VKEC002 | |
| MF5VKKT002 | |
| MFERAED402 | |
| MFERCED402 | |
| MFERWKD001 | |
| MFUR0ED402 | |
| MFUR0ET001 | |
| MFUR0ET002 | |
| MFUR0ET101 | |
| MFUR0ET102 | |
| MFUR0ET402 | |
| MFUR0KD001 | |
| MFUR0KD402 | |
| MFUR0KT001 | |
| MFUR0KT002 | |
| MFUR0KT090 | |
| MFUR0KT091 | |
| MFUR0KT101 | |
| MFUR0KT102 | |
| MFUR2ET001 | |
| MFUR2ET002 | |
| MFUR2ET101 | |
| MFUR2ET102 | |
| MFUR2KT001 | |
| MFUR2KT002 | |

| Code | Gültigkeit |
|------------|------------|
| MFUR2KT101 | |
| MFUR2KT102 | |
| MFUR6ET001 | |
| MFUR6ET002 | |
| MFUR6ET101 | |
| MFUR6ET102 | |
| MFUR6KT001 | |
| MFUR6KT002 | |
| MFUR6KT101 | |
| MFUR6KT102 | |
| MFUR7ET001 | |
| MFUR7ET002 | |
| MFUR7ET101 | |
| MFUR7ET102 | |
| MFUR7KT001 | |
| MFUR7KT002 | |
| MFUR7KT101 | |
| MFUR7KT102 | |
| MFUR8 102 | |
| MFUR8ET001 | |
| MFUR8ET002 | |
| MFUR8ET101 | |
| MFUR8ET102 | |
| MFUR8KT001 | |
| MFUR8KT002 | |
| MFUR8KT090 | |
| MFUR8KT091 | |
| MFUR8KT101 | |
| MFUR8KT102 | |
| MFUR8KTBGT | |
| MFURCED402 | |
| MFURDET001 | |
| MFURDET002 | |
| MFURDET101 | |
| MFURDET102 | |
| MFURDKT001 | |
| MFURDKT002 | |
| MFURDKT101 | |
| MFURDKT102 | |
| MFURKET001 | |
| MFURKET002 | |
| MFURKET101 | |
| MFURKET102 | |
| MFURKKT001 | |
| MFURKKT002 | |

| Code | Gültigkeit |
|------------|------------|
| MFURKKT101 | |
| MFURKKT102 | |
| MFURRET001 | |
| MFURRET002 | |
| MFURRET101 | |
| MFURRET102 | |
| MFURRKT001 | |
| MFURRKT002 | |
| MFURRKT101 | |
| MFURRKT102 | |
| MFURWED402 | |
| MFURWKD001 | |
| MFURWKDBTC | |
| MFUV0ET001 | |
| MFUV0ET002 | |
| MFUV0ET101 | |
| MFUV0ET102 | |
| MFUV0KT001 | |
| MFUV0KT002 | |
| MFUV0KT090 | |
| MFUV0KT091 | |
| MFUV0KT101 | |
| MFUV0KT102 | |
| MFUV0KT201 | |
| MFUV0KT202 | |
| MFUV2ET001 | |
| MFUV2ET002 | |
| MFUV2ET101 | |
| MFUV2ET102 | |
| MFUV2KT001 | |
| MFUV2KT002 | |
| MFUV2KT101 | |
| MFUV2KT102 | |
| MFUV6ET001 | |
| MFUV6ET002 | |
| MFUV6ET101 | |
| MFUV6ET102 | |
| MFUV6KT001 | |
| MFUV6KT002 | |
| MFUV6KT101 | |
| MFUV6KT102 | |
| MFUV7ET001 | |
| MFUV7ET002 | |
| MFUV7ET101 | |
| MFUV7ET102 | |

| Code | Gültigkeit |
|------------|------------|
| MFUV7KT001 | |
| MFUV7KT002 | |
| MFUV7KT101 | |
| MFUV7KT102 | |
| MFUV8ET001 | |
| MFUV8ET002 | |
| MFUV8ET101 | |
| MFUV8ET102 | |
| MFUV8KT001 | |
| MFUV8KT002 | |
| MFUV8KT090 | |
| MFUV8KT091 | |
| MFUV8KT101 | |
| MFUV8KT102 | |
| MFUVAKT102 | |
| MFUVDET001 | |
| MFUVDET002 | |
| MFUVDET101 | |
| MFUVDET102 | |
| MFUVDKT001 | |
| MFUVDKT002 | |
| MFUVDKT101 | |
| MFUVDKT102 | |
| MFUVKET001 | |
| MFUVKET002 | |
| MFUVKET101 | |
| MFUVKET102 | |
| MFUVKKT001 | |
| MFUVKKT002 | |
| MFUVKKT101 | |
| MFUVKKT102 | |
| MFUVRET001 | |
| MFUVRET002 | |
| MFUVRET102 | |
| MFUVRKT001 | |
| MFUVRKT002 | |
| MFUVRKT101 | |
| MFUVRKT102 | |
| MM5R0ET002 | |
| MM5R0ET102 | |
| MM5R0KT002 | |
| MM5R0KT102 | |
| MM5R2ET002 | |
| MM5R2KT002 | |
| MM5R6ET002 | |

| Code | Gültigkeit |
|------------|------------|
| MM5R6KT002 | |
| MM5R8ET002 | |
| MM5R8ET102 | |
| MM5R8KT001 | |
| MM5R8KT002 | |
| MM5R8KT102 | |
| MM5RDET002 | |
| MM5RDKT002 | |
| MM5RKET002 | |
| MM5RKKT002 | |
| MM5V0ET002 | |
| MM5V0KT001 | |
| MM5V0KT002 | |
| MM5V0KT101 | |
| MM5V2ET002 | |
| MM5V2KT002 | |
| MM5V6KT002 | |
| MM5V8ET002 | |
| MM5V8KT001 | |
| MM5V8KT002 | |
| MM5V8KT101 | |
| MM5VDET002 | |
| MM5VDKT002 | |
| MM5VKKT002 | |
| MMERAKDA02 | |
| MMERCKD002 | |
| MMUR0ET001 | |
| MMUR0ET002 | |
| MMUR0ET101 | |
| MMUR0ET102 | |
| MMUR0KD002 | |
| MMUR0KT001 | |
| MMUR0KT002 | |
| MMUR0KT090 | |
| MMUR0KT091 | |
| MMUR0KT101 | |
| MMUR0KT102 | |
| MMUR0KTA02 | |
| MMUR2ET001 | |
| MMUR2ET002 | |
| MMUR2ET101 | |
| MMUR2ET102 | |
| MMUR2KT001 | |
| MMUR2KT002 | |
| MMUR2KT101 | |

| Code | Gültigkeit |
|------------|------------|
| MMUR2KT102 | |
| MMUR6ET001 | |
| MMUR6ET002 | |
| MMUR6ET101 | |
| MMUR6ET102 | |
| MMUR6KT001 | |
| MMUR6KT002 | |
| MMUR6KT101 | |
| MMUR6KT102 | |
| MMUR7ET001 | |
| MMUR7ET002 | |
| MMUR7ET101 | |
| MMUR7ET102 | |
| MMUR7KT001 | |
| MMUR7KT002 | |
| MMUR7KT101 | |
| MMUR7KT102 | |
| MMUR8ET001 | |
| MMUR8ET002 | |
| MMUR8ET101 | |
| MMUR8ET102 | |
| MMUR8KT001 | |
| MMUR8KT002 | |
| MMUR8KT090 | |
| MMUR8KT091 | |
| MMUR8KT101 | |
| MMUR8KT102 | |
| MMUR8KTA02 | |
| MMUR8KTBG1 | |
| MMUR8KTBG1 | |
| MMUR8KTBG1 | |
| MMURDET001 | |
| MMURDET002 | |
| MMURDET101 | |
| MMURDET102 | |
| MMURDKT001 | |
| MMURDKT002 | |
| MMURDKT101 | |
| MMURDKT102 | |
| MMURKET001 | |
| MMURKET002 | |
| MMURKET101 | |
| MMURKET102 | |
| MMURKKT001 | |
| MMURKKT002 | |
| MMURKKT101 | |

| Code | Gültigkeit |
|---------------|------------|
| MMURKKT102 | |
| MMURRET001 | |
| MMURRET002 | |
| MMURRET101 | |
| MMURRKT001 | |
| MMURRKT002 | |
| MMURRKT101 | |
| MMURWKDBTC | |
| MMUV0ET001 | |
| MMUV0ET002 | |
| MMUV0ET101 | |
| MMUV0ET102 | |
| MMUV0KT001 | |
| MMUV0KT002 | |
| MMUV0KT090 | |
| MMUV0KT091 | |
| MMUV0KT101 | |
| MMUV0KT102 | |
| MMUV0KT1C1 | |
| MMUV0KT202 | |
| MMUV0KTC01 | |
| MMUV0KTD01 | |
| MMUV2ET001 | |
| MMUV2ET002 | |
| MMUV2ET101 | |
| MMUV2ET102 | |
| MMUV2KT001 | |
| MMUV2KT002 | |
| MMUV2KT002-01 | |
| MMUV2KT101 | |
| MMUV2KT102 | |
| MMUV6ET001 | |
| MMUV6ET002 | |
| MMUV6ET101 | |
| MMUV6ET102 | |
| MMUV6KT001 | |
| MMUV6KT002 | |
| MMUV6KT101 | |
| MMUV6KT102 | |
| MMUV7ET001 | |
| MMUV7ET002 | |
| MMUV7ET101 | |
| MMUV7ET102 | |
| MMUV7KT001 | |
| MMUV7KT002 | |

| Code | Gültigkeit |
|------------|------------|
| MMUV7KT101 | |
| MMUV7KT102 | |
| MMUV8 101 | |
| MMUV8ET001 | |
| MMUV8ET002 | |
| MMUV8ET101 | |
| MMUV8ET102 | |
| MMUV8KT001 | |
| MMUV8KT002 | |
| MMUV8KT090 | |
| MMUV8KT091 | |
| MMUV8KT101 | |
| MMUV8KT102 | |
| MMUV8KT1C1 | |
| MMUV8KTC01 | |
| MMUV8KTD01 | |
| MMUVAKT102 | |
| MMUVDET001 | |
| MMUVDET002 | |
| MMUVDET101 | |
| MMUVDET102 | |
| MMUVDKT001 | |
| MMUVDKT002 | |
| MMUVDKT101 | |
| MMUVDKT102 | |
| MMUVKET001 | |
| MMUVKET002 | |
| MMUVKET101 | |
| MMUVKET102 | |
| MMUVKKT001 | |
| MMUVKKT002 | |
| MMUVKKT101 | |
| MMUVKKT102 | |
| MMUVRET001 | |
| MMUVRET002 | |
| MMUVRKT001 | |
| MMUVRKT002 | |
| MMUVRKT101 | |
| MMUVRKT58P | |
| MMUVWKDBTC | |
| MQ5R0KT001 | |
| MQ5R0KT101 | |
| MQ5R0KT201 | |
| MQ5R8KT001 | |
| MQ5R8KT101 | |

| Code | Gültigkeit |
|------------|------------|
| MQ5R8KT201 | |
| MQ5V0KT001 | |
| MQ5V8KT001 | |
| MQUR0ET001 | |
| MQUR0ET101 | |
| MQUR0KT001 | |
| MQUR0KT091 | |
| MQUR0KT101 | |
| MQUR2ET001 | |
| MQUR2ET101 | |
| MQUR2KT001 | |
| MQUR2KT101 | |
| MQUR6ET001 | |
| MQUR6ET101 | |
| MQUR6KT001 | |
| MQUR6KT101 | |
| MQUR7ET001 | |
| MQUR7ET101 | |
| MQUR7KT001 | |
| MQUR7KT101 | |
| MQUR8ET001 | |
| MQUR8ET101 | |
| MQUR8KT001 | |
| MQUR8KT091 | |
| MQUR8KT101 | |
| MQUR8KTBG | |
| MQURDET001 | |
| MQURDET101 | |
| MQURDKT001 | |
| MQURDKT101 | |
| MQURKET001 | |
| MQURKET101 | |
| MQURKKT001 | |
| MQURKKT101 | |
| MQURRET001 | |
| MQURRET101 | |
| MQURRKT001 | |
| MQURRKT101 | |
| MQURWKDBTC | |
| MQUV0ET001 | |
| MQUV0ET101 | |
| MQUV0KT001 | |
| MQUV0KT091 | |
| MQUV0KT101 | |
| MQUV2ET001 | |

| Code | Gültigkeit |
|------------|------------|
| MQUV2ET101 | |
| MQUV2KT001 | |
| MQUV2KT101 | |
| MQUV6ET001 | |
| MQUV6ET101 | |
| MQUV6KT001 | |
| MQUV6KT101 | |
| MQUV7ET001 | |
| MQUV7ET101 | |
| MQUV7KT001 | |
| MQUV7KT101 | |
| MQUV8ET001 | |
| MQUV8ET101 | |
| MQUV8KT001 | |
| MQUV8KT091 | |
| MQUV8KT101 | |
| MQUVDET001 | |
| MQUVDET101 | |
| MQUVDKT001 | |
| MQUVDKT101 | |
| MQUVKET001 | |
| MQUVKET101 | |
| MQUVKKT001 | |
| MQUVKKT101 | |
| MQUVRET001 | |
| MQUVRET101 | |
| MQUVRKT001 | |
| MQUVRKT101 | |
| MT5R0KT001 | |
| MT5R8KT001 | |
| MT5V0ET001 | |
| MT5V0KT001 | |
| MT5V6ET001 | |
| MT5V8KT001 | |
| MTUR0ET001 | |
| MTUR0ET101 | |
| MTUR0KT001 | |
| MTUR0KT101 | |
| MTUR2ET001 | |
| MTUR2KT001 | |
| MTUR2KT101 | |
| MTUR6ET001 | |
| MTUR6ET101 | |
| MTUR6KT001 | |
| MTUR6KT101 | |

| Code | Gültigkeit |
|------------|------------|
| MTUR7ET001 | |
| MTUR7ET101 | |
| MTUR7KT001 | |
| MTUR7KT101 | |
| MTUR8ET001 | |
| MTUR8ET101 | |
| MTUR8KT001 | |
| MTUR8KT101 | |
| MTUR8KTBGT | |
| MTURDET001 | |
| MTURDET101 | |
| MTURDKT001 | |
| MTURDKT101 | |
| MTURKET001 | |
| MTURKET101 | |
| MTURKKT001 | |
| MTURKKT101 | |
| MTURRET001 | |
| MTURRKT001 | |
| MTURWKDBTC | |
| MTUV0ET001 | |
| MTUV0ET101 | |
| MTUV0KT001 | |
| MTUV0KT101 | |
| MTUV2ET001 | |
| MTUV2ET101 | |
| MTUV2KT001 | |
| MTUV6ET001 | |
| MTUV6ET101 | |
| MTUV6KT001 | |
| MTUV7ET001 | |
| MTUV7ET101 | |
| MTUV7KT001 | |
| MTUV8ET001 | |
| MTUV8ET101 | |
| MTUV8KT001 | |
| MTUVDET001 | |
| MTUVDET101 | |
| MTUVDKT001 | |
| MTUVKET001 | |
| MTUVKET101 | |
| MTUVKKT001 | |
| MTUVRET001 | |
| MTUVRKT001 | |
| MUERWKDBTC | |

| Code | Gültigkeit |
|------------|------------|
| MV5R0ET001 | |
| MV5R0KT001 | |
| MV5R6ET001 | |
| MV5R8ET001 | |
| MV5R8KT001 | |
| MVUR0ED401 | |
| MVUR0ET001 | |
| MVUR0ET101 | |
| MVUR0KT001 | |
| MVUR0KT091 | |
| MVUR0KT101 | |
| MVUR0KT201 | |
| MVUR2ET001 | |
| MVUR2KT001 | |
| MVUR6ET001 | |
| MVUR6ET101 | |
| MVUR6KT001 | |
| MVUR6KT101 | |
| MVUR7ET001 | |
| MVUR7ET101 | |
| MVUR7KT001 | |
| MVUR7KT101 | |
| MVUR8ET001 | |
| MVUR8ET101 | |
| MVUR8KT001 | |
| MVUR8KT091 | |
| MVUR8KT101 | |
| MVUR8KT201 | |
| MVUR8KTBGT | |
| MVURAET001 | |
| MVURDET001 | |
| MVURDET101 | |
| MVURDKT001 | |
| MVURDKT101 | |
| MVURKET001 | |
| MVURKET101 | |
| MVURKKT001 | |
| MVURKKT101 | |
| MVURRET001 | |
| MVURRKT001 | |
| MVURWED401 | |
| MVURWKDBTC | |
| MVUV0ET001 | |
| MVUV0ET101 | |
| MVUV0KT001 | |

| Code | Gültigkeit |
|------------|------------|
| MVUV0KT091 | |
| MVUV0KT101 | |
| MVUV0KT991 | |
| MVUV2ET001 | |
| MVUV2ET101 | |
| MVUV2KT001 | |
| MVUV6ET001 | |
| MVUV6ET101 | |
| MVUV6KT001 | |
| MVUV6KT101 | |
| MVUV7ET001 | |
| MVUV7ET101 | |
| MVUV7KT001 | |
| MVUV7KT101 | |
| MVUV8ET001 | |
| MVUV8ET101 | |
| MVUV8KT001 | |
| MVUV8KT091 | |
| MVUV8KT101 | |
| MVUVAET001 | |
| MVUVAET101 | |
| MVUVAKT001 | |
| MVUVDET001 | |
| MVUVDET101 | |
| MVUVDKT001 | |
| MVUVDKT101 | |
| MVUVKET001 | |
| MVUVKET101 | |
| MVUVKKT001 | |
| MVUVKKT101 | |
| MVUVKKT991 | |
| MVUVRET001 | |
| MVUVRKT001 | |
| MX5R0ET001 | |
| MX5R0KT001 | |
| MX5R0KT201 | |
| MX5R2KT001 | |
| MX5R6ET001 | |
| MX5R6KT001 | |
| MX5R7ET001 | |
| MX5R8ET001 | |
| MX5R8KT001 | |
| MX5R8KT201 | |
| MX5RDKT001 | |
| MX5RKKT001 | |

| Code | Gültigkeit |
|------------|------------|
| MX5RKKT201 | |
| MX5V0ET101 | |
| MX5V0KT001 | |
| MX5V0KT101 | |
| MX5V2KT001 | |
| MX5V6KT001 | |
| MX5V8ET101 | |
| MX5V8KT001 | |
| MX5V8KT101 | |
| MX5VDKT001 | |
| MX5VKKT001 | |
| MXERDKDA01 | |
| MXUR0ET001 | |
| MXUR0ET101 | |
| MXUR0KDA01 | |
| MXUR0KT001 | |
| MXUR0KT091 | |
| MXUR0KT101 | |
| MXUR0KTA01 | |
| MXUR2ET001 | |
| MXUR2ET101 | |
| MXUR2KT001 | |
| MXUR2KT101 | |
| MXUR6ET001 | |
| MXUR6ET101 | |
| MXUR6KT001 | |
| MXUR6KT101 | |
| MXUR7ET001 | |
| MXUR7ET101 | |
| MXUR7KT001 | |
| MXUR7KT101 | |
| MXUR8ET001 | |
| MXUR8ET101 | |
| MXUR8KT001 | |
| MXUR8KT091 | |
| MXUR8KT101 | |
| MXUR8KTBGT | |
| MXURDET001 | |
| MXURDET101 | |
| MXURDKDA01 | |
| MXURDKT001 | |
| MXURDKT101 | |
| MXURDKTA01 | |
| MXURKET001 | |
| MXURKET101 | |

| Code | Gültigkeit |
|------------------|------------|
| MXURKKT001 | |
| MXURKKT101 | |
| MXURRET001 | |
| MXURRET101 | |
| MXURRKT001 | |
| MXURRKT101 | |
| MXURWKDBTC | |
| MXUV0ET001 | |
| MXUV0ET101 | |
| MXUV0KT001 | |
| MXUV0KT091 | |
| MXUV0KT101 | |
| MXUV0KT201 | |
| MXUV0KT202 | |
| MXUV2ET001 | |
| MXUV2ET101 | |
| MXUV2KT001 | |
| MXUV2KT101 | |
| MXUV6ET001 | |
| MXUV6ET101 | |
| MXUV6KT001 | |
| MXUV6KT101 | |
| MXUV7ET001 | |
| MXUV7ET101 | |
| MXUV7KT001 | |
| MXUV7KT101 | |
| MXUV8ET001 | |
| MXUV8ET101 | |
| MXUV8KT001 | |
| MXUV8KT091 | |
| MXUV8KT101 | |
| MXUV8KT201 | |
| MXUVDET001 | |
| MXUVDET101 | |
| MXUVDKT001 | |
| MXUVDKT101 | |
| MXUVKET001 | |
| MXUVKET101 | |
| MXUVKKT001 | |
| MXUVKKT101 | |
| MXUVRET001 | |
| MXUVRET101 | |
| MXUVRKT001 | |
| MXUVRKT101 | |
| UGMTUV8ET101-T41 | |

| Code | Nr. der Tafel | Pos. | Code | Nr. der Tafel | Pos. | Code | Nr. der Tafel | Pos. |
|---------|---------------|------|---------------|---------------|------|---------------|---------------|------|
| 000456 | 01.33 | 23 | 018508 | 02.21 | 55 | 1653787201000 | 02.43 | 12 |
| 002383 | 02.20 | 19 | 018536 | 06.13 | 3 | 1653887201000 | 02.43 | 21 |
| 0030404 | 02.20 | 5 | 018575 | 06.01 | 11 | 169569 | 01.40 | 16 |
| 003055 | 02.23 | 18 | 018592 | 02.21 | 46 | 1756787203000 | 01.37 | 7 |
| 003056 | 01.38 | 4 | 018639 | 01.26 | 34 | 181351 | 03.04 | 11 |
| 003058 | 02.21 | 41 | 018639 | 01.33 | 10 | 190517 | 02.18 | 30 |
| 003058 | 02.23 | 29 | 018639 | 01.33 | 30 | 191002 | 01.25 | 47 |
| 003058 | 03.06 | 4 | 018639 | 01.40 | 11 | 191002 | 06.09 | 20 |
| 003208 | 05.08 | 27 | 020008 | 02.19 | 12 | 191189 | 01.10 | 14 |
| 003972 | 01.33 | 4 | 020105 | 02.23 | 20 | 196750 | 02.20 | 24 |
| 006078 | 01.37 | 27 | 020108 | 02.20 | 21 | 196750 | 06.01 | 21 |
| 006175 | 06.12 | 15 | 020110 | 02.20 | 7 | 1D000652 | 06.08 | 2 |
| 006175 | 06.12 | 15 | 020110 | 02.23 | 6 | 1D000776 | 06.02 | 26 |
| 006716 | 01.14 | 15 | 021216 | 03.08 | 9 | 1D000790 | 06.02 | 27 |
| 006968 | 06.12 | 21 | 030052 | 04.04 | 16 | 1D000817 | 06.03 | 37 |
| 006968 | 06.12 | 21 | 030052 | 05.02 | 27 | 1D001021 | 03.08 | 3 |
| 006968 | 06.12 | 7 | 030052 | 05.03 | 28 | 1D001021 | 06.09 | 26 |
| 006968 | 06.12 | 7 | 030072 | 02.20 | 22 | 1D001075 | 02.20 | 23 |
| 006975 | 01.37 | 28 | 030077 | 02.20 | 17 | 1E000090 | 02.44 | 6 |
| 006976 | 05.02 | 33 | 030082 | 03.06 | 3 | 1E000092 | 02.44 | 4 |
| 006976 | 05.03 | 41 | 030113 | 02.20 | 4 | 1E000304 | 02.43 | 5 |
| 009000 | 06.01 | 17 | 030113 | 02.23 | 31 | 1E000998 | 02.45 | 1 |
| 012778 | 02.23 | 16 | 031027 | 02.38 | 8 | 1E001000 | 02.45 | 5 |
| 013763 | 06.04 | 43 | 031027 | 02.39 | 5 | 1E001016 | 02.45 | 20 |
| 013777 | 02.17 | 38 | 031056 | 01.37 | 26 | 1E001017 | 02.45 | 21 |
| 013777 | 02.31 | 6 | 031086 | 05.02 | 32 | 1E001096 | 02.30 | 28 |
| 013777 | 04.04 | 21 | 031086 | 05.03 | 22 | 1E001098 | 02.30 | 30 |
| 013880 | 02.13 | 17 | 031089 | 02.17 | 39 | 1E0011015 | 02.11 | 1 |
| 013950 | 02.47 | 17 | 031089 | 02.31 | 4 | 1E001104 | 06.03 | 38 |
| 015341 | 01.37 | 3 | 031090 | 04.04 | 17 | 1E0011855 | 02.25 | 1 |
| 015341 | 03.06 | 5 | 031092 | 01.38 | 15 | 1E001186 | 06.12 | 25 |
| 015715 | 01.37 | 32 | 031092 | 01.38 | 3 | 1E001188 | 06.12 | 25 |
| 015859 | 03.02 | 36 | 031115 | 02.23 | 10 | 1E001190 | 02.11 | 9 |
| 015859 | 03.04 | 7 | 031119 | 02.23 | 28 | 1E001286 | 02.33 | 27 |
| 015900 | 02.13 | 6 | 031119 | 05.08 | 28 | 1E001446 | 01.25 | 46 |
| 015994 | 06.13 | 4 | 031120 | 02.22 | 8 | 1E001516 | 01.25 | 46 |
| 016345 | 02.21 | 47 | 031153 | 02.23 | 9 | 1E002423 | 02.23 | 2 |
| 016404 | 02.38 | 9 | 031157 | 02.38 | 36 | 1E002476 | 05.06 | 1 |
| 016404 | 02.39 | 6 | 031157 | 02.39 | 28 | 1F000078 | 01.40 | 12 |
| 016405 | 02.23 | 19 | 0441387Z01000 | 01.25 | 15 | 1R000091 | 01.01 | 3 |
| 016406 | 02.17 | 37 | 074456 | 01.06 | 25 | 1R000272 | 03.06 | 17 |
| 016406 | 02.31 | 5 | 074456 | 01.06 | 27 | 1R000314 | 02.45 | 35 |
| 016406 | 04.04 | 20 | 0911187Z01000 | 04.07 | 10 | 212400 | 02.18 | 29 |
| 016406 | 05.02 | 29 | 0911387Z01000 | 04.07 | 11 | 214772 | 02.20 | 23 |
| 016408 | 02.20 | 20 | 0915187Z03000 | 04.07 | 12 | 214772 | 06.01 | 20 |
| 016408 | 02.22 | 9 | 0915587Z04000 | 04.07 | 13 | 216738 | 02.21 | 58 |
| 016408 | 02.23 | 30 | 098698 | 02.26 | 12 | 218623 | 02.23 | 26 |
| 016408 | 02.33 | 19 | 118020 | 02.20 | 3 | 230648 | 02.15 | 7 |
| 016408 | 02.33 | 8 | 118020 | 02.23 | 4 | 241937 | 02.13 | 14 |
| 016408 | 05.08 | 17 | 1180224 | 02.20 | 2 | 245736 | 02.22 | 12 |
| 016408 | 05.08 | 21 | 1180234 | 02.23 | 3 | 245785 | 02.32 | 9 |
| 016410 | 02.06 | 4 | 118563 | 02.23 | 11 | 248419 | 06.02 | 23 |
| 016410 | 02.20 | 6 | 118745 | 02.23 | 15 | 254485 | 01.38 | 19 |
| 016410 | 02.23 | 5 | 129953 | 06.03 | 21 | 254485 | 02.31 | 7 |
| 016410 | 02.38 | 37 | 133238 | 01.26 | 5 | 254485 | 02.45 | 34 |
| 016410 | 02.39 | 29 | 145298 | 02.45 | 19 | 254485 | 02.47 | 15 |
| 016410 | 05.01 | 3 | 145298 | 06.09 | 5 | 254485 | 02.49 | 30 |
| 016626 | 02.06 | 5 | 160654 | 06.03 | 2 | 257134 | 02.23 | 32 |
| 016626 | 02.23 | 33 | 160654 | 06.03 | 20 | 257134 | 06.04 | 12 |
| 016626 | 02.38 | 38 | 160654 | 06.03 | 26 | 257134 | 06.09 | 15 |
| 016626 | 02.39 | 30 | 160654 | 06.03 | 30 | 259830 | 02.29 | 21 |
| 016667 | 01.38 | 16 | 1618587Z02000 | 02.43 | 4 | 259830 | 02.31 | 3 |
| 016667 | 02.49 | 4 | 1618587Z02000 | 02.43 | 4 | 260831 | 02.13 | 26 |
| 016667 | 05.02 | 30 | 1633787Z07000 | 02.44 | 3 | 260849 | 02.09 | 19 |
| 016667 | 05.03 | 31 | 1640087Z21000 | 02.43 | 2 | 260850 | 02.07 | 22 |
| 016676 | 01.32 | 4 | 1640087Z21000 | 02.43 | 2 | 260851 | 02.07 | 23 |
| 018211 | 01.04 | 17 | 1650387Z08000 | 02.43 | 23 | 260852 | 02.09 | 21 |

| Code | Nr. der Tafel | Pos. | Code | Nr. der Tafel | Pos. | Code | Nr. der Tafel | Pos. |
|---------|---------------|------|---------------|---------------|------|---------------|---------------|------|
| 260856 | 02.09 | 20 | 264266 | 02.24 | 1 | 434078 | 01.32 | 16 |
| 260857 | 02.09 | 22 | 264268 | 02.23 | 21 | 434078 | 01.33 | 21 |
| 260858 | 02.07 | 24 | 264312 | 02.04 | 5 | 434078 | 01.33 | 38 |
| 261077 | 02.07 | 27 | 264449 | 02.31 | 9 | 434078 | 01.33 | 7 |
| 261078 | 02.07 | 28 | 264451 | 01.25 | 45 | 434078 | 01.43 | 2 |
| 261081 | 02.09 | 23 | 264462 | 02.06 | 16 | 434541 | 01.14 | 9 |
| 261082 | 02.09 | 24 | 264545 | 02.38 | 42 | 4350287201000 | 04.04 | 2 |
| 2611165 | 02.09 | 1 | 264545 | 02.39 | 31 | 4351287202000 | 04.04 | 4 |
| 261219 | 04.05 | 15 | 264646 | 02.45 | 26 | 435634 | 01.44 | 13 |
| 261245 | 02.35 | 17 | 264723 | 02.43 | 35 | 435634 | 01.44 | 5 |
| 261315 | 04.05 | 11 | 264753 | 02.21 | 48 | 436669 | 01.44 | 2 |
| 261317 | 06.04 | 19 | 264755 | 02.21 | 49 | 436788 | 01.43 | 12 |
| 261317 | 06.04 | 26 | 264811 | 02.24 | 2 | 4445787201000 | 02.29 | 6 |
| 261319 | 04.05 | 12 | 264812 | 02.24 | 3 | 4476287202000 | 05.01 | 14 |
| 261321 | 02.10 | 25 | 264813 | 02.24 | 12 | 4477387505000 | 05.01 | 11 |
| 261322 | 01.29 | 9 | 264816 | 02.24 | 5 | 4641087206000 | 05.06 | 6 |
| 261322 | 05.06 | 8 | 264817 | 02.24 | 15 | 4720087201000 | 05.01 | 1 |
| 261323 | 02.08 | 18 | 264818 | 02.24 | 14 | 4737187201000 | 05.04 | 7 |
| 261323 | 02.10 | 36 | 264819 | 02.24 | 8 | 4737187202000 | 05.04 | 6 |
| 261332 | 05.02 | 12 | 264821 | 02.24 | 11 | 4738287201000 | 02.29 | 13 |
| 261332 | 05.03 | 5 | 264822 | 02.24 | 6 | 4738287201000 | 05.03 | 24 |
| 261336 | 03.06 | 29 | 264823 | 02.24 | 4 | 4744687201000 | 05.07 | 12 |
| 261355 | 02.10 | 50 | 264826 | 02.24 | 9 | 4770387201000 | 05.02 | 42 |
| 261424 | 02.13 | 7 | 264827 | 02.24 | 10 | 4770387201000 | 05.03 | 38 |
| 261425 | 02.13 | 3 | 264828 | 02.24 | 7 | 4770487201000 | 05.02 | 43 |
| 2614384 | 02.16 | 7 | 264878 | 04.01 | 6 | 4770487201000 | 05.03 | 39 |
| 2614384 | 02.18 | 13 | 264878 | 04.03 | 11 | 4804187201000 | 04.05 | 18 |
| 262031 | 01.38 | 14 | 264886 | 02.20 | 9 | 4807387201000 | 04.01 | 14 |
| 262125 | 02.06 | 3 | 264887 | 02.23 | 17 | 4834187202000 | 04.05 | 4 |
| 262125 | 05.01 | 2 | 272836 | 03.02 | 12 | 4834187203000 | 04.05 | 3 |
| 262128 | 05.08 | 6 | 274369 | 01.40 | 5 | 4837187202000 | 04.05 | 8 |
| 262480 | 03.06 | 30 | 287959 | 01.41 | 3 | 4837287201000 | 04.05 | 7 |
| 262794 | 02.06 | 1 | 287959 | 01.42 | 12 | 4840887201000 | 04.05 | 13 |
| 262836 | 06.04 | 29 | 287959 | 01.42 | 6 | 484706 | 01.33 | 5 |
| 262837 | 06.04 | 21 | 288245 | 01.33 | 3 | 4847087201000 | 04.03 | 7 |
| 2629955 | 02.03 | 44 | 292022 | 06.02 | 13 | 4847087202000 | 04.03 | 4 |
| 2629965 | 02.03 | 13 | 293404 | 01.38 | 7 | 484819 | 01.09 | 12 |
| 262997 | 02.03 | 15 | 293404 | 02.49 | 25 | 4853187210000 | 04.05 | 21 |
| 262998 | 02.03 | 48 | 294353 | 06.02 | 12 | 4855987201000 | 04.03 | 5 |
| 263195 | 02.21 | 52 | 296170 | 02.25 | 21 | 4867487201000 | 04.01 | 13 |
| 263207 | 02.18 | 14 | 296170 | 03.04 | 16 | 4868487502000 | 04.03 | 12 |
| 263214 | 02.21 | 56 | 3132487202000 | 05.08 | 7 | 487211 | 01.32 | 11 |
| 2632315 | 02.03 | 21 | 3132587201000 | 05.08 | 20 | 487990 | 02.36 | 9 |
| 2632325 | 02.03 | 23 | 319446 | 01.41 | 6 | 493433 | 02.24 | 13 |
| 263400 | 06.04 | 27 | 3336787507000 | 01.27 | 6 | 493434 | 01.25 | 12 |
| 263403 | 06.04 | 25 | 3336987503000 | 01.27 | 38 | 493435 | 01.25 | 13 |
| 263425 | 06.04 | 20 | 3354887201000 | 01.29 | 3 | 493913 | 02.45 | 6 |
| 263544 | 02.21 | 57 | 3355587202000 | 01.29 | 2 | 493929 | 02.45 | 2 |
| 263547 | 02.21 | 53 | 411209 | 01.06 | 28 | 493930 | 02.45 | 4 |
| 263548 | 02.21 | 54 | 411209 | 01.14 | 7 | 493931 | 02.45 | 5 |
| 263703 | 01.38 | 2 | 411209 | 01.40 | 2 | 493932 | 02.45 | 7 |
| 263740 | 06.04 | 30 | 411209 | 01.42 | 15 | 493933 | 02.45 | 3 |
| 263742 | 02.38 | 18 | 411213 | 01.21 | 8 | 5100587203000 | 02.18 | 1 |
| 263750 | 06.04 | 31 | 411311 | 01.08 | 2 | 5120287202000 | 02.04 | 4 |
| 263958 | 02.39 | 13 | 4123187201000 | 01.25 | 26 | 5121387201000 | 02.18 | 5 |
| 263961 | 02.35 | 4 | 4125287201000 | 01.25 | 23 | 5131587201000 | 02.02 | 40 |
| 263962 | 02.35 | 5 | 4131687201000 | 01.25 | 7 | 5131687202000 | 02.02 | 38 |
| 264045 | 02.21 | 16 | 414835 | 01.40 | 17 | 5133187201000 | 02.04 | 9 |
| 264046 | 02.21 | 17 | 414837 | 01.14 | 18 | 5170387202000 | 02.02 | 25 |
| 264058 | 01.38 | 13 | 414837 | 01.15 | 3 | 5171787201000 | 02.02 | 26 |
| 264147 | 05.04 | 10 | 414837 | 02.22 | 5 | 5171887201000 | 02.02 | 37 |
| 264209 | 02.38 | 10 | 4232987201000 | 01.25 | 34 | 5175787201000 | 02.04 | 16 |
| 264209 | 02.39 | 12 | 4243187203000 | 01.25 | 30 | 5190987201000 | 04.07 | 3 |
| 264210 | 02.38 | 11 | 430207 | 01.42 | 24 | 5195287201000 | 04.07 | 8 |
| 264211 | 02.38 | 12 | 4334587507000 | 04.01 | 3 | 5213387201000 | 02.30 | 5 |
| 264249 | 02.39 | 14 | 434078 | 01.08 | 21 | 5213487201000 | 02.30 | 6 |
| 264266 | 02.23 | 23 | 434078 | 01.19 | 3 | 5290787203000 | 02.02 | 9 |

| Code | Nr. der Tafel | Pos. | Code | Nr. der Tafel | Pos. | Code | Nr. der Tafel | Pos. |
|---------------|---------------|------|---------------|---------------|------|---------------|---------------|------|
| 5375187Z01000 | 02.29 | 12 | 5766387Z01000 | 02.17 | 33 | 612190 | 02.47 | 3 |
| 5375287Z01000 | 02.29 | 10 | 5766487Z01000 | 02.17 | 35 | 612197 | 02.47 | 2 |
| 5375387Z01000 | 02.29 | 7 | 580141 | 06.02 | 22 | 612198 | 02.47 | 4 |
| 5382187Z01130 | 02.25 | 8 | 5803587Z01000 | 02.17 | 26 | 612279 | 02.45 | 14 |
| 5382387Z01130 | 02.25 | 6 | 58115R | 06.01 | 15 | 6123187Z04000 | 02.03 | 12 |
| 5389387Z01000 | 02.17 | 42 | 5820387Z02000 | 02.02 | 28 | 6123287Z03000 | 02.03 | 14 |
| 5389487Z01000 | 02.17 | 43 | 5820387Z04000 | 02.02 | 29 | 6123387Z02000 | 02.03 | 40 |
| 5389687Z01000 | 02.17 | 36 | 5820487Z01000 | 02.02 | 32 | 6123487Z02000 | 02.03 | 41 |
| 5509187Z02000 | 02.45 | 10 | 582058 | 06.03 | 9 | 612470 | 02.47 | 31 |
| 5509287Z02000 | 02.45 | 9 | 5823187Z02000 | 02.29 | 3 | 612476 | 02.43 | 29 |
| 5510387Z03000 | 02.29 | 14 | 5823287Z02000 | 02.29 | 4 | 612476 | 02.47 | 28 |
| 5510887Z01000 | 02.17 | 31 | 5824187Z02000 | 02.29 | 16 | 612483 | 02.47 | 29 |
| 5516687Z02000 | 02.18 | 16 | 5824287Z02000 | 02.29 | 17 | 612489 | 02.47 | 30 |
| 5517887Z01000 | 02.17 | 32 | 5826687Z01000 | 02.18 | 43 | 612496 | 02.47 | 38 |
| 5552587Z01000 | 03.02 | 24 | 5830787Z01000 | 02.17 | 34 | 612498 | 02.47 | 16 |
| 55569R | 02.26 | 5 | 5835987Z01000 | 02.17 | 7 | 612499 | 02.47 | 10 |
| 55570R | 02.26 | 6 | 5836787Z02000 | 02.17 | 12 | 612500 | 02.47 | 13 |
| 5574187Z01000 | 02.25 | 3 | 5837987Z01000 | 02.29 | 8 | 612501 | 02.47 | 20 |
| 5612187Z01000 | 02.25 | 13 | 5838587Z02000 | 02.17 | 11 | 612502 | 02.47 | 21 |
| 561604 | 01.42 | 10 | 584004 | 06.02 | 14 | 612503 | 02.47 | 24 |
| 565057 | 02.23 | 25 | 584004 | 06.03 | 8 | 612504 | 02.47 | 25 |
| 565195 | 02.25 | 4 | 5843587Z03000 | 02.17 | 18 | 612505 | 02.47 | 26 |
| 56530R | 02.14 | 1 | 5852387Z01000 | 02.17 | 10 | 612506 | 02.47 | 27 |
| 56531R | 02.14 | 3 | 5852387Z01000 | 02.29 | 5 | 6126187Z01000 | 02.03 | 8 |
| 56535R | 02.14 | 2 | 5855887Z01030 | 02.35 | 2 | 6126287Z01000 | 02.03 | 9 |
| 56536R | 02.14 | 4 | 5862187Z02000 | 02.35 | 6 | 6130187Z01000 | 02.03 | 20 |
| 565380 | 02.18 | 28 | 5863687Z01000 | 02.17 | 8 | 6130187Z02000 | 02.03 | 34 |
| 565380 | 02.21 | 9 | 5864587Z01000 | 02.17 | 6 | 6130287Z01000 | 02.03 | 22 |
| 56538R | 02.14 | 7 | 5864687Z02000 | 02.35 | 12 | 6130287Z02000 | 02.03 | 35 |
| 565429 | 03.02 | 22 | 5864787Z02000 | 02.35 | 13 | 613276 | 03.02 | 6 |
| 565429 | 03.04 | 17 | 5864887Z01000 | 02.35 | 14 | 613319 | 05.01 | 6 |
| 565685 | 02.44 | 6 | 5864987Z01000 | 02.35 | 15 | 613323 | 03.02 | 2 |
| 565742 | 02.38 | 1 | 5866987Z01000 | 02.35 | 8 | 613323 | 03.02 | 28 |
| 565743 | 02.39 | 1 | 5882587Z01030 | 03.04 | 14 | 613326 | 03.02 | 35 |
| 56583R | 02.23 | 1 | 598775 | 01.32 | 3 | 6134387Z01000 | 02.03 | 38 |
| 56585R | 04.07 | 16 | 600699M | 06.04 | 1 | 6134487Z01000 | 02.03 | 39 |
| 56591R | 04.06 | 1 | 6102387Z14000 | 02.03 | 6 | 613678 | 03.02 | 37 |
| 56605R | 02.10 | 70 | 6102487Z14000 | 02.03 | 7 | 613679 | 03.02 | 4 |
| 566063 | 06.09 | 19 | 6102787Z01000 | 02.03 | 1 | 613813 | 03.02 | 9 |
| 56607R | 02.10 | 71 | 6102887Z02000 | 02.03 | 4 | 613820 | 06.03 | 1 |
| 566083 | 02.25 | 5 | 6103787Z01000 | 02.03 | 36 | 613828 | 02.45 | 1 |
| 566084 | 02.25 | 7 | 6103887Z01000 | 02.03 | 37 | 613842 | 02.37 | 3 |
| 566260 | 06.02 | 25 | 610419M | 04.06 | 3 | 613843 | 02.37 | 4 |
| 566300 | 02.30 | 17 | 610419M | 04.07 | 18 | 613858 | 03.02 | 7 |
| 566526 | 02.43 | 22 | 6120187Z02000 | 02.03 | 30 | 6141187Z01000 | 02.03 | 42 |
| 566568 | 06.02 | 8 | 6120287Z02000 | 02.03 | 31 | 614188 | 01.38 | 9 |
| 566737 | 02.30 | 27 | 6120387Z02000 | 02.03 | 28 | 614188 | 02.49 | 22 |
| 566754 | 02.31 | 8 | 6120487Z02000 | 02.03 | 29 | 6142187Z01000 | 02.03 | 16 |
| 566819 | 02.37 | 12 | 612078 | 02.21 | 31 | 6142287Z01000 | 02.03 | 17 |
| 566819 | 04.07 | 9 | 612079 | 02.21 | 34 | 6142587Z01000 | 02.03 | 18 |
| 566819 | 06.04 | 34 | 612080 | 02.21 | 32 | 6142587Z02000 | 02.03 | 32 |
| 566864 | 02.33 | 20 | 612081 | 02.21 | 35 | 614268 | 02.19 | 4 |
| 567018 | 02.38 | 16 | 612086 | 02.21 | 44 | 6142687Z01000 | 02.03 | 19 |
| 567246 | 02.23 | 2 | 612087 | 02.21 | 38 | 6142687Z02000 | 02.03 | 33 |
| 567732 | 02.19 | 14 | 612089 | 02.21 | 37 | 614269 | 02.19 | 6 |
| 567820 | 02.21 | 51 | 612090 | 02.21 | 36 | 614772 | 03.02 | 3 |
| 567821 | 02.21 | 50 | 612097 | 02.21 | 45 | 614794 | 03.02 | 11 |
| 5707887Z01000 | 02.04 | 10 | 612098 | 02.21 | 39 | 614797 | 02.45 | 17 |
| 5711387Z02000 | 02.02 | 22 | 612099 | 02.21 | 40 | 614826 | 02.45 | 32 |
| 5713387Z01000 | 02.02 | 12 | 612100 | 02.21 | 43 | 614833 | 02.31 | 2 |
| 5731787Z01000 | 02.04 | 15 | 612104 | 02.21 | 33 | 615091 | 05.06 | 4 |
| 5740587Z02000 | 02.17 | 21 | 612109 | 02.21 | 42 | 615093 | 03.04 | 13 |
| 5740687Z02000 | 02.17 | 22 | 6121187Z02000 | 02.03 | 10 | 615100 | 02.45 | 12 |
| 5740887Z17000 | 02.02 | 1 | 612124 | 02.22 | 7 | 615191 | 02.31 | 16 |
| 5760787Z01000 | 02.17 | 5 | 6121287Z02000 | 02.03 | 11 | 615261 | 02.22 | 17 |
| 576464 | 02.32 | 1 | 612129 | 02.22 | 4 | 615263 | 02.22 | 16 |
| 5766187Z01000 | 02.17 | 27 | 612189 | 02.47 | 1 | 615392 | 06.01 | 14 |

| Code | Nr. der Tafel | Pos. | Code | Nr. der Tafel | Pos. | Code | Nr. der Tafel | Pos. |
|---------------|---------------|------|---------------|---------------|------|---------------|---------------|------|
| 615430 | 03.04 | 15 | 645569 | 02.19 | 17 | 658999 | 02.37 | 9 |
| 615529 | 02.19 | 22 | 645581 | 06.04 | 8 | 660522 | 06.04 | 35 |
| 615530 | 02.19 | 5 | 645670 | 02.19 | 8 | 660559 | 01.33 | 24 |
| 615769 | 01.33 | 25 | 645795 | 02.19 | 16 | 660589 | 02.49 | 1 |
| 615895 | 06.12 | 3 | 645930 | 06.12 | 22 | 660594 | 01.38 | 6 |
| 615895 | 06.12 | 3 | 645930 | 06.12 | 22 | 660610 | 06.06 | 1 |
| 615897 | 06.12 | 11 | 645931 | 06.12 | 20 | 660614 | 01.37 | 31 |
| 615897 | 06.12 | 11 | 645931 | 06.12 | 20 | 660617 | 06.06 | 6 |
| 615902 | 06.12 | 12 | 645932 | 06.12 | 17 | 660619 | 02.43 | 10 |
| 615902 | 06.12 | 12 | 645932 | 06.12 | 17 | 660619 | 02.43 | 10 |
| 615910 | 02.04 | 14 | 645933 | 06.12 | 19 | 660619 | 02.43 | 3 |
| 6159115 | 02.04 | 13 | 645933 | 06.12 | 19 | 660619 | 02.43 | 3 |
| 615932 | 02.33 | 13 | 645934 | 06.12 | 18 | 660619 | 02.49 | 29 |
| 615932 | 02.33 | 17 | 645934 | 06.12 | 18 | 660627 | 02.43 | 5 |
| 615932 | 02.33 | 3 | 646230 | 04.07 | 14 | 660628 | 02.43 | 1 |
| 615932 | 02.33 | 6 | 646234 | 04.07 | 15 | 660704 | 06.12 | 9 |
| 6160187Z01000 | 02.03 | 45 | 646244 | 02.19 | 10 | 660704 | 06.12 | 9 |
| 6160287Z01000 | 02.03 | 2 | 647840 | 01.19 | 7 | 660705 | 06.12 | 10 |
| 6170487Z01000 | 02.03 | 47 | 648201 | 02.23 | 7 | 660705 | 06.12 | 10 |
| 6170487Z04000 | 02.03 | 46 | 648205 | 02.23 | 8 | 6610187Z01000 | 02.21 | 12 |
| 6180787Z01000 | 02.10 | 33 | 648220 | 02.23 | 13 | 6610187Z01000 | 02.22 | 20 |
| 6180887Z01000 | 02.10 | 34 | 648225 | 02.23 | 24 | 661037 | 06.13 | 18 |
| 6182787Z01000 | 02.10 | 35 | 6483187Z01000 | 02.25 | 22 | 661039 | 06.13 | 20 |
| 6183987Z01000 | 02.10 | 41 | 6501187Z07000 | 02.18 | 31 | 661042 | 06.13 | 19 |
| 620356 | 06.04 | 41 | 6507187Z01000 | 02.21 | 4 | 661047 | 02.26 | 9 |
| 620970 | 02.20 | 12 | 6507287Z01000 | 02.21 | 6 | 661048 | 02.26 | 10 |
| 623770 | 06.13 | 5 | 6507387Z01000 | 02.21 | 5 | 661064 | 02.02 | 42 |
| 6241387Z01000 | 02.07 | 6 | 6507487Z01000 | 02.21 | 7 | 6611287Z01000 | 02.18 | 36 |
| 624456 | 05.02 | 28 | 6510287Z03000 | 02.18 | 38 | 661184 | 02.23 | 27 |
| 624456 | 05.03 | 29 | 6510287Z04000 | 02.18 | 2 | 6614687Z01000 | 02.21 | 13 |
| 6274187Z01000 | 02.27 | 3 | 6510487Z02000 | 02.18 | 39 | 6614687Z01000 | 02.22 | 19 |
| 6311187Z01000 | 02.15 | 9 | 6510587Z01000 | 02.18 | 40 | 6614787Z01000 | 02.21 | 22 |
| 6311187Z02000 | 02.15 | 1 | 6510687Z02000 | 02.18 | 41 | 6614887Z01000 | 02.21 | 8 |
| 6313287Z01000 | 02.15 | 2 | 651886 | 06.02 | 7 | 6615187Z01000 | 02.21 | 10 |
| 6313487Z01000 | 02.15 | 8 | 651928 | 05.06 | 2 | 6620187Z01000 | 02.21 | 21 |
| 632864 | 02.43 | 34 | 652234 | 03.06 | 23 | 662510 | 02.08 | 14 |
| 640753 | 06.03 | 6 | 6524187Z01000 | 02.18 | 33 | 6628087Z01000 | 02.21 | 24 |
| 6413587Z01000 | 02.03 | 26 | 6530587Z01000 | 02.18 | 53 | 6628787Z01000 | 02.21 | 27 |
| 6413687Z01000 | 02.03 | 27 | 6530687Z01000 | 02.18 | 54 | 6628887Z01000 | 02.21 | 28 |
| 641441 | 01.01 | 2 | 6531387Z01000 | 02.18 | 49 | 6628987Z01000 | 02.21 | 29 |
| 641441 | 06.07 | 2 | 6531487Z01000 | 02.18 | 51 | 6631187Z01000 | 02.21 | 3 |
| 641441 | 06.08 | 10 | 6531787Z01000 | 02.18 | 55 | 6631387Z01000 | 02.18 | 37 |
| 641458 | 06.04 | 7 | 6531887Z01000 | 02.18 | 56 | 6632187Z01000 | 02.18 | 50 |
| 6419187Z01000 | 02.03 | 25 | 655169 | 01.09 | 8 | 6633187Z01000 | 02.18 | 21 |
| 6419287Z01000 | 02.03 | 24 | 655169 | 01.16 | 9 | 6633187Z01000 | 02.18 | 34 |
| 6427087Z01000 | 02.13 | 21 | 655169 | 02.06 | 22 | 6633187Z01000 | 02.21 | 59 |
| 643452 | 06.02 | 28 | 6560187Z01000 | 02.21 | 1 | 6633287Z01000 | 02.18 | 22 |
| 644286 | 06.04 | 6 | 6560287Z01000 | 02.21 | 2 | 6633287Z01000 | 02.18 | 35 |
| 644299 | 04.04 | 11 | 6570187Z03000 | 02.21 | 15 | 6633287Z01000 | 02.21 | 60 |
| 644300 | 03.02 | 23 | 658155 | 04.03 | 6 | 6640187Z03000 | 02.18 | 48 |
| 644318 | 02.22 | 6 | 658278 | 05.02 | 38 | 6700187Z01000 | 02.07 | 1 |
| 644535 | 06.12 | 23 | 658278 | 05.03 | 34 | 6700287Z01000 | 02.07 | 3 |
| 644535 | 06.12 | 23 | 658279 | 05.02 | 39 | 6700387Z01000 | 02.09 | 3 |
| 644536 | 06.12 | 24 | 658279 | 05.03 | 35 | 6700487Z01000 | 02.09 | 7 |
| 644536 | 06.12 | 24 | 658848 | 01.37 | 20 | 6700487Z02000 | 02.09 | 5 |
| 644638 | 02.19 | 13 | 658848 | 01.37 | 9 | 6700587Z01000 | 02.11 | 1 |
| 644643 | 02.19 | 7 | 658949 | 02.37 | 8 | 6701187Z01000 | 02.07 | 2 |
| 645434 | 06.12 | 6 | 658970 | 06.02 | 1 | 6701287Z01000 | 02.07 | 4 |
| 645434 | 06.12 | 6 | 658971 | 06.02 | 2 | 6711387Z01000 | 02.09 | 4 |
| 645435 | 06.12 | 5 | 658979 | 04.04 | 13 | 6711387Z02000 | 02.09 | 2 |
| 645435 | 06.12 | 5 | 658987 | 02.30 | 22 | 6711487Z01000 | 02.09 | 8 |
| 645436 | 06.12 | 4 | 658991 | 05.07 | 2 | 6711487Z02000 | 02.09 | 6 |
| 645436 | 06.12 | 4 | 658992 | 05.07 | 1 | 6711587Z01000 | 02.11 | 2 |
| 645553 | 02.45 | 21 | 658994 | 02.37 | 1 | 6740187Z01000 | 02.07 | 5 |
| 645568 | 02.18 | 24 | 658995 | 02.37 | 2 | 6740387Z01000 | 02.07 | 11 |
| 645568 | 02.19 | 18 | 658997 | 02.37 | 10 | 6740487Z01000 | 02.07 | 12 |
| 645569 | 02.18 | 23 | 658998 | 02.37 | 7 | 6740787Z01000 | 02.09 | 9 |

| Code | Nr. der Tafel | Pos. | Code | Nr. der Tafel | Pos. | Code | Nr. der Tafel | Pos. |
|---------------|---------------|------|---------------|---------------|------|---------------|---------------|------|
| 6740887Z01000 | 02.09 | 10 | 709037 | 02.23 | 14 | 830198 | 01.08 | 17 |
| 6777187Z01000 | 02.07 | 16 | 709116 | 02.13 | 16 | 830198 | 01.21 | 6 |
| 6777187Z01000 | 02.09 | 14 | 709116 | 05.03 | 32 | 830784 | 01.14 | 12 |
| 6777187Z01000 | 02.11 | 6 | 709677 | 02.43 | 17 | 830784 | 01.43 | 11 |
| 6777187Z01000 | 02.27 | 2 | 709677 | 02.43 | 17 | 831135 | 01.06 | 21 |
| 6781187Z01000 | 02.07 | 21 | 709677 | 02.49 | 14 | 831135 | 01.40 | 3 |
| 6783187Z01000 | 02.07 | 18 | 7137087Z01000 | 02.33 | 22 | 833663 | 05.01 | 20 |
| 6783187Z02000 | 02.07 | 17 | 7137087Z01000 | 02.33 | 9 | 833664 | 02.47 | 34 |
| 6783287Z01000 | 02.07 | 20 | 7197387Z01030 | 02.33 | 24 | 833722 | 01.10 | 11 |
| 6783287Z02000 | 02.07 | 19 | 7431087Z02030 | 02.13 | 4 | 833722 | 01.40 | 15 |
| 6784187Z01000 | 02.09 | 13 | 7448187Z01000 | 06.04 | 18 | 833722 | 01.43 | 16 |
| 6786187Z01000 | 02.07 | 33 | 7461787Z01030 | 02.13 | 19 | 834951 | 01.37 | 10 |
| 6786387503000 | 02.07 | 29 | 7481187Z01030 | 02.08 | 12 | 834951 | 01.37 | 21 |
| 6786587504000 | 02.07 | 31 | 7555187Z03000 | 02.16 | 12 | 837109 | 01.25 | 8 |
| 6786797211000 | 02.07 | 30 | 7555187Z04000 | 02.16 | 10 | 837123 | 01.25 | 17 |
| 6786797211000 | 02.07 | 32 | 7555287Z04000 | 02.16 | 11 | 837124 | 01.25 | 17 |
| 6786887Z02000 | 02.07 | 35 | 7565187Z01000 | 02.10 | 39 | 837125 | 01.25 | 17 |
| 6786887Z02000 | 02.07 | 37 | 7565287Z01000 | 02.10 | 40 | 837126 | 01.25 | 17 |
| 6787187Z01000 | 02.09 | 27 | 7661987Z02000 | 02.02 | 2 | 837138 | 05.07 | 4 |
| 6788187Z01000 | 02.11 | 7 | 7662187Z01000 | 02.02 | 5 | 837144 | 05.02 | 41 |
| 6803187Z01000 | 02.10 | 66 | 7662187Z02000 | 02.02 | 4 | 837144 | 05.03 | 37 |
| 6803287Z01000 | 02.10 | 67 | 7714187Z01000 | 02.39 | 11 | 837145 | 05.02 | 40 |
| 6803787Z01000 | 02.10 | 59 | 7714187Z04000 | 02.38 | 40 | 837145 | 05.03 | 36 |
| 6803887Z01000 | 02.10 | 60 | 7729487Z01000 | 02.38 | 19 | 837146 | 05.02 | 45 |
| 6821387502000 | 02.07 | 34 | 7750187Z03000 | 02.39 | 4 | 837146 | 05.03 | 42 |
| 6821487502000 | 02.07 | 36 | 7750187Z04000 | 02.38 | 7 | 837158 | 01.25 | 40 |
| 6829187Z01000 | 02.11 | 8 | 7765987Z01000 | 02.38 | 4 | 837159 | 01.25 | 41 |
| 6831787Z01000 | 02.10 | 68 | 807315 | 01.38 | 9 | 837160 | 05.07 | 3 |
| 6832687Z01000 | 02.10 | 52 | 807315 | 02.49 | 22 | 837161 | 01.25 | 9 |
| 6833287Z01000 | 02.10 | 22 | 810688 | 02.33 | 18 | 837162 | 01.25 | 36 |
| 6833487Z01000 | 02.10 | 48 | 810688 | 02.33 | 7 | 837163 | 01.25 | 10 |
| 6837787Z01000 | 02.10 | 38 | 810688 | 06.12 | 8 | 837164 | 05.04 | 4 |
| 6838087Z01000 | 02.10 | 44 | 810688 | 06.12 | 8 | 837165 | 05.04 | 11 |
| 6839087Z01000 | 02.10 | 45 | 8121187Z01000 | 06.03 | 31 | 837169 | 05.04 | 5 |
| 6851787Z01000 | 02.10 | 58 | 8124087Z01000 | 02.13 | 24 | 837171 | 01.25 | 37 |
| 6861087Z01000 | 02.07 | 8 | 8127087Z01000 | 06.03 | 36 | 837174 | 01.25 | 31 |
| 6861787Z01000 | 02.07 | 10 | 8127087Z02000 | 06.03 | 32 | 837175 | 01.25 | 32 |
| 6871087Z01000 | 02.26 | 1 | 8127187Z01000 | 06.03 | 34 | 837179 | 01.25 | 14 |
| 6880187Z01000 | 02.10 | 23 | 8127887Z01000 | 06.03 | 15 | 837181 | 05.07 | 10 |
| 6880187Z02000 | 02.10 | 21 | 8155087Z01000 | 06.03 | 11 | 837182 | 05.07 | 9 |
| 6895087Z82000 | 02.10 | 26 | 8155087Z02000 | 06.03 | 16 | 837183 | 05.07 | 5 |
| 6896087Z82000 | 02.10 | 27 | 8155187Z01000 | 06.03 | 13 | 837184 | 05.07 | 6 |
| 6920787Z01030 | 02.26 | 13 | 8155487Z03000 | 06.03 | 18 | 837185 | 05.07 | 7 |
| 6921087Z01000 | 02.08 | 16 | 8156087Z01000 | 06.03 | 12 | 837186 | 05.07 | 8 |
| 6922087Z01000 | 02.08 | 17 | 8156087Z02000 | 06.03 | 17 | 837212 | 01.25 | 4 |
| 6926087Z01000 | 02.26 | 3 | 8156187Z01000 | 06.03 | 14 | 837213 | 05.04 | 12 |
| 6927087Z01000 | 02.08 | 1 | 8156487Z01000 | 06.03 | 19 | 837214 | 05.04 | 13 |
| 6927287Z01030 | 02.10 | 6 | 8157087Z01000 | 06.03 | 29 | 837215 | 05.04 | 8 |
| 6927987Z01000 | 02.08 | 3 | 8167087Z01000 | 06.03 | 25 | 837216 | 05.04 | 9 |
| 6928087Z01000 | 02.08 | 2 | 8167187Z01000 | 06.03 | 27 | 837217 | 05.04 | 15 |
| 6928587Z01000 | 02.26 | 14 | 8175587Z02000 | 06.03 | 22 | 837218 | 01.25 | 19 |
| 6928587Z01000 | 02.26 | 4 | 8217287Z01000 | 06.07 | 13 | 837219 | 01.25 | 28 |
| 6941387Z01000 | 02.10 | 64 | 8218687Z01000 | 06.07 | 16 | 837220 | 01.25 | 38 |
| 6941487Z01000 | 02.10 | 62 | 8218787Z01000 | 06.07 | 15 | 837221 | 01.25 | 54 |
| 6941687Z01000 | 02.10 | 54 | 825692 | 01.26 | 6 | 837222 | 05.06 | 13 |
| 6941887Z01000 | 02.10 | 65 | 8260087538000 | 06.09 | 2 | 837223 | 05.06 | 17 |
| 6941987Z01000 | 02.10 | 56 | 8260087539000 | 06.09 | 1 | 837224 | 05.07 | 11 |
| 6968187506000 | 02.37 | 5 | 8261087510000 | 06.09 | 4 | 837225 | 01.25 | 3 |
| 6971187Z01000 | 02.08 | 6 | 827018 | 01.08 | 24 | 837226 | 05.04 | 2 |
| 6971287Z01000 | 02.08 | 7 | 8271587Z04000 | 06.09 | 7 | 837227 | 05.04 | 3 |
| 6971387Z01000 | 02.10 | 5 | 8271587Z30000 | 06.09 | 24 | 837228 | 05.06 | 12 |
| 6973087Z01000 | 02.10 | 11 | 8271587Z31000 | 06.04 | 10 | 837229 | 05.06 | 16 |
| 6974087Z01000 | 02.10 | 12 | 828566 | 01.26 | 31 | 837230 | 05.04 | 14 |
| 6974787Z01000 | 02.08 | 19 | 828855 | 01.04 | 2 | 840541 | 01.14 | 8 |
| 6974787Z01000 | 02.10 | 18 | 828863 | 01.16 | 6 | 840542 | 01.04 | 14 |
| 6975987Z01000 | 02.08 | 8 | 828911 | 05.01 | 15 | 842041 | 02.36 | 5 |
| 6975987Z01000 | 02.10 | 10 | 829527 | 01.06 | 10 | 8423087504000 | 02.13 | 8 |

| Code | Nr. der Tafel | Pos. | Code | Nr. der Tafel | Pos. | Code | Nr. der Tafel | Pos. |
|---------------|---------------|------|--------|---------------|------|---------------|---------------|------|
| 842507 | 01.41 | 4 | 888000 | 01.01 | 1 | 889478 | 01.32 | 5 |
| 843186 | 01.32 | 7 | 888042 | 01.08 | 12 | 889497 | 01.42 | 17 |
| 847183 | 01.33 | 16 | 888050 | 01.06 | 7 | 889502 | 01.19 | 16 |
| 847183 | 01.44 | 3 | 888055 | 01.04 | 4 | 889505 | 02.47 | 33 |
| 848465 | 01.19 | 17 | 888062 | 01.08 | 4 | 889544 | 01.15 | 1 |
| 8503587Z01000 | 06.12 | 31 | 888122 | 01.06 | 16 | 889553 | 01.09 | 1 |
| 8503587Z01000 | 06.12 | 38 | 888196 | 01.08 | 18 | 889592 | 01.26 | 30 |
| 850653 | 01.28 | 1 | 888196 | 01.09 | 2 | 889603 | 01.32 | 15 |
| 850656 | 01.26 | 3 | 888199 | 01.42 | 7 | 889606 | 01.07 | 2 |
| 850667 | 01.25 | 55 | 888204 | 01.42 | 8 | 889607 | 01.07 | 3 |
| 850669 | 02.14 | 10 | 888209 | 01.41 | 1 | 889608 | 01.07 | 4 |
| 850670 | 02.14 | 8 | 888211 | 01.09 | 7 | 889609 | 01.07 | 5 |
| 850671 | 02.14 | 9 | 888213 | 01.09 | 3 | 889610 | 01.07 | 6 |
| 850672 | 02.14 | 5 | 888214 | 01.08 | 13 | 889626 | 01.42 | 9 |
| 850676 | 02.33 | 28 | 888223 | 01.08 | 11 | 889628 | 01.04 | 6 |
| 850677 | 02.33 | 29 | 888256 | 01.09 | 9 | 889637 | 01.19 | 18 |
| 8508087Z01000 | 06.12 | 27 | 888259 | 01.09 | 4 | 889637 | 01.33 | 26 |
| 8508087Z02000 | 06.12 | 26 | 888298 | 01.06 | 4 | 889637 | 01.42 | 20 |
| 8531087Z02000 | 06.12 | 31 | 888298 | 01.06 | 6 | 889637 | 01.43 | 4 |
| 8531087Z02000 | 06.12 | 31 | 888330 | 01.06 | 14 | 889642 | 01.32 | 10 |
| 8533087Z01000 | 06.12 | 29 | 888337 | 01.09 | 6 | 889664 | 01.10 | 8 |
| 8533087Z02000 | 06.12 | 28 | 888379 | 05.01 | 23 | 889668 | 01.10 | 12 |
| 8533287Z01000 | 06.12 | 26 | 888400 | 01.06 | 2 | 889670 | 01.08 | 25 |
| 8533287Z01000 | 06.12 | 30 | 888428 | 01.14 | 10 | 889688 | 01.10 | 5 |
| 8534987Z01000 | 06.12 | 25 | 888469 | 01.17 | 1 | 889689 | 01.10 | 6 |
| 857176 | 01.32 | 9 | 888485 | 01.30 | 4 | 889691 | 01.10 | 17 |
| 8723287Z02000 | 02.45 | 13 | 888490 | 01.30 | 3 | 889694 | 01.10 | 18 |
| 8723987Z02000 | 02.25 | 2 | 888501 | 01.26 | 33 | 889706 | 01.32 | 6 |
| 872421 | 01.06 | 29 | 888564 | 01.06 | 30 | 889710 | 01.33 | 28 |
| 872425 | 01.40 | 7 | 888591 | 01.21 | 9 | 889738 | 01.08 | 1 |
| 873980 | 02.06 | 21 | 888592 | 01.42 | 21 | 889767 | 01.08 | 22 |
| 873980 | 02.47 | 36 | 888675 | 01.06 | 26 | 889787 | 01.08 | 15 |
| 875970 | 01.04 | 7 | 888680 | 01.15 | 2 | 889820 | 01.33 | 20 |
| 882072 | 01.04 | 10 | 888685 | 01.06 | 12 | 889837 | 02.06 | 23 |
| 882083 | 01.04 | 5 | 888686 | 01.43 | 10 | 889842 | 01.14 | 20 |
| 882085 | 01.04 | 20 | 888775 | 01.08 | 19 | 889846 | 02.06 | 24 |
| 882087 | 01.04 | 13 | 888791 | 01.33 | 31 | 889847 | 01.06 | 23 |
| 882157 | 01.42 | 1 | 888841 | 01.04 | 16 | 889864 | 01.17 | 2 |
| 882171 | 01.14 | 2 | 888841 | 01.10 | 15 | 889894 | 02.06 | 20 |
| 882174 | 01.14 | 17 | 888894 | 01.26 | 32 | 889895 | 01.33 | 18 |
| 882175 | 01.42 | 2 | 888934 | 01.09 | 11 | 889896 | 01.33 | 19 |
| 882177 | 01.42 | 3 | 888942 | 01.32 | 13 | 889903 | 01.30 | 2 |
| 882180 | 01.06 | 8 | 888943 | 01.32 | 14 | 889904 | 01.30 | 1 |
| 882181 | 01.06 | 19 | 889060 | 01.09 | 5 | 889951 | 01.42 | 11 |
| 882182 | 01.06 | 20 | 889061 | 01.09 | 5 | 889953 | 01.42 | 13 |
| 882185 | 01.42 | 4 | 889062 | 01.09 | 5 | 889954 | 01.42 | 16 |
| 882187 | 01.42 | 22 | 889087 | 01.09 | 5 | 889955 | 01.42 | 18 |
| 882194 | 01.14 | 21 | 889099 | 01.14 | 11 | 889956 | 01.16 | 2 |
| 882195 | 01.14 | 19 | 889102 | 01.04 | 3 | 889959 | 01.40 | 12 |
| 882197 | 01.41 | 2 | 889120 | 01.08 | 20 | 889963 | 01.10 | 4 |
| 882197 | 01.42 | 5 | 889127 | 01.21 | 1 | 889973 | 01.10 | 16 |
| 882202 | 01.08 | 6 | 889134 | 01.06 | 3 | 8899824 | 01.10 | 13 |
| 882203 | 01.08 | 7 | 889135 | 01.06 | 5 | 889997 | 01.19 | 9 |
| 882204 | 01.08 | 8 | 889141 | 01.06 | 11 | 9004101534000 | 05.02 | 44 |
| 882207 | 01.08 | 10 | 889146 | 01.10 | 9 | 9004101534000 | 05.03 | 40 |
| 882218 | 01.08 | 5 | 889158 | 01.33 | 8 | 9004101605000 | 04.01 | 4 |
| 882220 | 01.08 | 9 | 889159 | 02.47 | 7 | 9004101607000 | 01.25 | 5 |
| 882232 | 01.41 | 5 | 889174 | 01.10 | 10 | 9004101609000 | 01.25 | 11 |
| 882277 | 01.32 | 12 | 889177 | 01.06 | 15 | 9004105170000 | 02.21 | 25 |
| 882356 | 01.08 | 27 | 889181 | 01.32 | 2 | 9004109212000 | 01.25 | 16 |
| 882367 | 01.06 | 24 | 889190 | 01.09 | 13 | 9004119260000 | 02.09 | 11 |
| 882484 | 01.40 | 14 | 889405 | 01.43 | 8 | 9004119260000 | 02.17 | 24 |
| 882510 | 01.32 | 1 | 889407 | 01.43 | 9 | 9004119260000 | 02.45 | 24 |
| 882605 | 01.33 | 29 | 889444 | 01.14 | 4 | 9004119302000 | 02.18 | 15 |
| 882611 | 01.33 | 32 | 889463 | 01.33 | 9 | 9004119341000 | 02.02 | 7 |
| 882765 | 01.43 | 6 | 889470 | 01.16 | 5 | 9004119341000 | 02.07 | 13 |
| 882769 | 01.43 | 5 | 889472 | 01.32 | 17 | 9004119341000 | 02.10 | 13 |

| Code | Nr. der Tafel | Pos. | Code | Nr. der Tafel | Pos. | Code | Nr. der Tafel | Pos. |
|---------------|---------------|------|---------------|---------------|------|---------------|---------------|------|
| 9004119341000 | 02.17 | 14 | 9004462157000 | 02.39 | 15 | 9117171255000 | 04.01 | 9 |
| 9004119383000 | 02.10 | 46 | 9004462157000 | 05.08 | 14 | 9117171255000 | 04.03 | 13 |
| 9004119450000 | 06.07 | 10 | 9004463232000 | 02.29 | 11 | 9161160612000 | 02.49 | 3 |
| 9004119450000 | 06.08 | 9 | 9004464190000 | 06.09 | 9 | 9161160612000 | 05.01 | 12 |
| 9004119450000 | 06.12 | 16 | 9004464240000 | 06.09 | 21 | 9161160612000 | 05.02 | 6 |
| 9004119450000 | 06.12 | 16 | 9004464482000 | 06.04 | 13 | 9161160612000 | 05.03 | 13 |
| 9004119520000 | 04.04 | 5 | 9004464484000 | 06.09 | 8 | 9161160612000 | 05.06 | 9 |
| 9004119537000 | 02.18 | 25 | 9004464484000 | 06.12 | 30 | 9162140610000 | 02.03 | 5 |
| 9004119537000 | 02.19 | 19 | 9004464484000 | 06.12 | 37 | 9162140610000 | 02.07 | 7 |
| 9004119537000 | 02.31 | 10 | 9004465038000 | 05.06 | 11 | 9162140610000 | 02.21 | 14 |
| 9004119537000 | 03.02 | 16 | 9004467161000 | 05.01 | 13 | 9162140610000 | 02.26 | 17 |
| 9004119556000 | 02.49 | 16 | 9004467228000 | 02.38 | 17 | 9162140610000 | 02.26 | 7 |
| 9004119556000 | 06.04 | 9 | 9004467228000 | 02.38 | 6 | 9162140614000 | 02.07 | 9 |
| 9004119620000 | 02.26 | 2 | 9004467305000 | 02.39 | 9 | 9162140614000 | 02.10 | 37 |
| 9004151029000 | 02.08 | 15 | 9004467361000 | 01.38 | 12 | 9162140614000 | 02.17 | 20 |
| 9004151029000 | 02.10 | 2 | 9004467361000 | 02.43 | 8 | 9163140612000 | 02.18 | 27 |
| 9004159230000 | 02.25 | 10 | 9004467361000 | 02.43 | 8 | 9163140612000 | 02.19 | 21 |
| 9004159230000 | 06.02 | 11 | 9004467361000 | 02.45 | 22 | 9165140610000 | 02.21 | 19 |
| 9004159230000 | 06.02 | 3 | 9004468084000 | 02.17 | 30 | 9165140610000 | 02.22 | 21 |
| 9004159230000 | 06.02 | 5 | 9004468200000 | 02.30 | 7 | 9165140612000 | 02.26 | 11 |
| 9004159364000 | 02.30 | 9 | 9004480123000 | 06.04 | 15 | 9165140612000 | 02.26 | 8 |
| 9004159377000 | 02.13 | 22 | 9004480161000 | 06.07 | 12 | 9165140614000 | 02.18 | 3 |
| 9004159377000 | 06.04 | 28 | 9004480378000 | 05.01 | 17 | 9165140614000 | 02.21 | 20 |
| 9004168057000 | 02.13 | 10 | 9004480396000 | 05.01 | 18 | 9165140614000 | 02.30 | 8 |
| 9004171003000 | 03.06 | 28 | 9004508350000 | 05.08 | 9 | 9165140614000 | 06.04 | 23 |
| 9004178043000 | 03.06 | 21 | 9004508351000 | 05.08 | 19 | 9165140614000 | 06.12 | 14 |
| 9004178044000 | 01.25 | 22 | 9004540073000 | 02.06 | 12 | 9165140814000 | 02.17 | 19 |
| 9004179075000 | 04.03 | 10 | 9004540074000 | 02.06 | 14 | 9165140814000 | 02.44 | 5 |
| 9004183050000 | 02.31 | 11 | 9004540166000 | 05.08 | 4 | 9165140816000 | 02.10 | 24 |
| 9004183050000 | 06.03 | 28 | 9004541138000 | 02.11 | 4 | 9165140816000 | 02.33 | 10 |
| 9004189001000 | 06.04 | 22 | 9004541144000 | 02.18 | 46 | 9165140816000 | 02.33 | 23 |
| 9004201224000 | 04.04 | 8 | 9004541144000 | 02.18 | 8 | 9165140816000 | 04.07 | 2 |
| 9004201291000 | 02.06 | 11 | 9004560155000 | 02.10 | 51 | 9165140820000 | 02.02 | 10 |
| 9004201549000 | 04.07 | 5 | 9004560227000 | 01.37 | 15 | 9165140820000 | 02.18 | 20 |
| 9004201638000 | 03.06 | 22 | 9004564508000 | 01.25 | 29 | 9165140820000 | 02.18 | 4 |
| 9004201724000 | 01.25 | 21 | 9004564509000 | 01.25 | 29 | 9165140820000 | 02.30 | 23 |
| 9004208030000 | 06.04 | 24 | 9004564510000 | 01.25 | 29 | 9165140822000 | 04.07 | 7 |
| 9004210027000 | 03.06 | 27 | 9004564511000 | 01.25 | 29 | 9165141016000 | 06.09 | 25 |
| 9004240142000 | 05.08 | 26 | 9004564512000 | 01.25 | 29 | 9165141025000 | 02.18 | 6 |
| 9004241105000 | 02.10 | 47 | 9004564513000 | 01.25 | 29 | 9165141028000 | 02.18 | 11 |
| 9004241106000 | 02.10 | 49 | 9004564514000 | 01.25 | 29 | 9165141028000 | 02.18 | 18 |
| 9004301252000 | 01.25 | 20 | 9004564515000 | 01.25 | 29 | 9165160620000 | 02.47 | 14 |
| 9004311201000 | 04.04 | 12 | 9004564516000 | 01.25 | 29 | 9165160620000 | 05.01 | 7 |
| 9004311202000 | 04.04 | 9 | 9004564517000 | 01.25 | 29 | 9165160625000 | 02.49 | 28 |
| 9004311330000 | 01.25 | 24 | 9004564518000 | 01.25 | 17 | 9165160625000 | 06.06 | 4 |
| 9004341011000 | 02.38 | 3 | 9004564519000 | 01.25 | 17 | 9327056012000 | 02.33 | 21 |
| 9004341011000 | 02.39 | 2 | 9004564520000 | 01.25 | 17 | 9338516014000 | 02.18 | 52 |
| 9004341070000 | 01.25 | 53 | 9004564521000 | 01.25 | 17 | 9338516014000 | 02.22 | 22 |
| 9004363242000 | 04.04 | 10 | 9004564526000 | 01.25 | 17 | 9351055010000 | 02.38 | 25 |
| 9004363243000 | 01.25 | 35 | 9004564527000 | 01.25 | 17 | 9352014014000 | 02.18 | 47 |
| 9004366065000 | 01.25 | 25 | 9004871062000 | 02.14 | 6 | 9352014014000 | 02.18 | 9 |
| 9004366066000 | 01.25 | 18 | 9004871138000 | 06.02 | 24 | 9354054012000 | 03.02 | 26 |
| 9004366067000 | 01.25 | 27 | 9004871154000 | 02.19 | 15 | 9354056020000 | 02.08 | 13 |
| 9004386101000 | 04.03 | 8 | 9004871154000 | 02.21 | 23 | 9356055012000 | 06.04 | 32 |
| 9004386115000 | 05.08 | 8 | 9004874011000 | 02.29 | 18 | 9356715016000 | 06.03 | 35 |
| 9004386116000 | 01.29 | 4 | 9004874013000 | 02.02 | 30 | 9356755014000 | 02.30 | 31 |
| 9004386117000 | 01.29 | 6 | 9004874025000 | 02.03 | 43 | 9356855012000 | 02.30 | 21 |
| 9004389104000 | 03.06 | 26 | 9004874031000 | 02.09 | 12 | 9358016012000 | 02.18 | 45 |
| 9004430120000 | 02.38 | 2 | 9004874031000 | 02.11 | 3 | 9359016014000 | 02.16 | 6 |
| 9004430120000 | 02.39 | 3 | 9004876010000 | 02.18 | 42 | 9359016014000 | 02.16 | 9 |
| 9004445672000 | 02.39 | 8 | 9004902019000 | 04.06 | 2 | 9418041000000 | 02.18 | 7 |
| 9004445968000 | 02.38 | 5 | 9004902019000 | 04.07 | 17 | 9451101000000 | 02.06 | 8 |
| 9004446371000 | 02.39 | 7 | 9004911036000 | 04.06 | 5 | 9451101000000 | 04.05 | 17 |
| 9004460117000 | 02.38 | 23 | 9004912035000 | 04.04 | 3 | 9451201000000 | 01.25 | 44 |
| 9004461420000 | 02.39 | 19 | 9004912054000 | 01.25 | 33 | 9451201000000 | 04.05 | 6 |
| 9004461420000 | 06.09 | 6 | 9004915043000 | 01.25 | 6 | 959358 | 01.19 | 21 |
| 9004462157000 | 02.38 | 13 | 9004922167000 | 05.04 | 1 | 9671119014000 | 01.29 | 5 |

| Code | Nr. der Tafel | Pos. | Code | Nr. der Tafel | Pos. | Code | Nr. der Tafel | Pos. |
|---------------|---------------|------|----------|---------------|------|----------|---------------|------|
| 9913211050000 | 06.03 | 33 | B000945 | 02.30 | 14 | B004302 | 03.02 | 20 |
| AP8150073 | 06.12 | 2 | B000949 | 02.30 | 20 | B004312 | 02.31 | 1 |
| AP8150073 | 06.12 | 2 | B000961 | 02.36 | 1 | B004315 | 03.04 | 6 |
| B000066 | 02.36 | 3 | B000962 | 02.36 | 2 | B004316 | 03.04 | 8 |
| B000149 | 02.36 | 4 | B000963 | 02.30 | 1 | B004317 | 03.04 | 5 |
| B000224 | 02.22 | 14 | B000966 | 02.30 | 12 | B004318 | 03.04 | 9 |
| B000337 | 02.20 | 11 | B000968 | 06.03 | 5 | B004319 | 03.04 | 12 |
| B000339 | 02.20 | 10 | B000969 | 06.03 | 7 | B004320 | 03.04 | 1 |
| B000340 | 02.20 | 13 | B000970 | 06.03 | 3 | B004325 | 03.04 | 10 |
| B000466 | 03.06 | 10 | B000972 | 03.02 | 1 | B004342 | 04.03 | 9 |
| B000467 | 03.06 | 11 | B000973 | 03.02 | 25 | B004364 | 06.07 | 4 |
| B000485 | 05.08 | 3 | B000979 | 06.02 | 4 | B004364 | 06.08 | 4 |
| B000497 | 03.08 | 10 | B0009835 | 03.06 | 6 | B004385 | 02.49 | 2 |
| B000504 | 03.06 | 7 | B000985 | 02.30 | 24 | B004412 | 05.08 | 11 |
| B000505 | 03.06 | 8 | B000990 | 03.02 | 29 | B004417 | 01.37 | 11 |
| B000508 | 03.06 | 2 | B000994 | 02.47 | 35 | B004418 | 05.09 | 1 |
| B000513 | 02.45 | 16 | B004053 | 06.08 | 8 | B004420 | 01.33 | 22 |
| B000516 | 03.08 | 5 | B004059 | 06.08 | 11 | B004423 | 02.18 | 10 |
| B0005185 | 03.06 | 1 | B004084 | 02.43 | 15 | B0044495 | 02.25 | 19 |
| B000521 | 04.01 | 11 | B004084 | 02.43 | 15 | B004450 | 06.13 | 7 |
| B000522 | 04.01 | 1 | B004086 | 02.43 | 14 | B004451 | 06.13 | 14 |
| B000523 | 04.04 | 14 | B004086 | 02.43 | 14 | B004452 | 06.13 | 1 |
| B000525 | 04.04 | 15 | B004086 | 02.49 | 10 | B004453 | 01.29 | 7 |
| B000526 | 01.25 | 39 | B004089 | 02.49 | 8 | B004455 | 06.07 | 8 |
| B000527 | 05.02 | 2 | B004090 | 02.49 | 24 | B004459 | 03.04 | 4 |
| B000527 | 05.03 | 14 | B004111 | 02.37 | 6 | B004461 | 06.13 | 9 |
| B000528 | 05.01 | 4 | B004111 | 03.08 | 8 | B004462 | 06.13 | 10 |
| B000529 | 05.01 | 5 | B004112 | 03.02 | 19 | B004463 | 06.13 | 11 |
| B000534 | 05.03 | 12 | B004123 | 03.08 | 11 | B004464 | 06.13 | 15 |
| B000544 | 05.02 | 21 | B004124 | 03.08 | 12 | B004465 | 06.13 | 12 |
| B000545 | 05.02 | 22 | B004135 | 02.16 | 5 | B004466 | 06.13 | 13 |
| B000713 | 02.19 | 23 | B004140 | 04.04 | 18 | B004467 | 06.07 | 3 |
| B000733 | 02.39 | 17 | B004148 | 03.06 | 12 | B004495 | 02.09 | 16 |
| B000734 | 02.38 | 28 | B0041855 | 02.02 | 34 | B004496 | 02.09 | 18 |
| B000735 | 02.38 | 30 | B0041865 | 02.02 | 33 | B004499 | 02.27 | 1 |
| B000736 | 02.38 | 26 | B004190 | 05.08 | 5 | B004500 | 02.11 | 5 |
| B000744 | 05.08 | 24 | B0041935 | 02.02 | 31 | B004506 | 02.47 | 8 |
| B000745 | 05.08 | 29 | B004196 | 01.37 | 19 | B004520 | 06.07 | 9 |
| B0007475 | 02.02 | 24 | B004197 | 01.37 | 25 | B004521 | 06.07 | 11 |
| B000822 | 02.25 | 17 | B004198 | 01.37 | 29 | B004554 | 02.32 | 2 |
| B000823 | 02.25 | 18 | B004199 | 01.37 | 30 | B004564 | 02.13 | 5 |
| B000831 | 02.30 | 15 | B004204 | 01.37 | 33 | B004567 | 02.32 | 3 |
| B000832 | 02.30 | 19 | B0042085 | 02.25 | 1 | B004570 | 02.13 | 11 |
| B000833 | 02.30 | 3 | B004219 | 05.08 | 18 | B004571 | 02.13 | 12 |
| B000835 | 02.30 | 4 | B004243 | 06.03 | 4 | B004583 | 06.04 | 39 |
| B000836 | 02.30 | 18 | B004245 | 06.13 | 16 | B004603 | 06.12 | 13 |
| B000843 | 06.02 | 10 | B004246 | 06.13 | 17 | B004603 | 06.12 | 13 |
| B000875 | 05.06 | 7 | B004249 | 02.30 | 2 | B004604 | 06.07 | 14 |
| B000881 | 02.25 | 16 | B004249 | 02.30 | 29 | B0046065 | 02.04 | 20 |
| B000882 | 02.25 | 15 | B004250 | 02.30 | 13 | B004613 | 02.32 | 5 |
| B000883 | 02.25 | 14 | B004252 | 02.29 | 19 | B004620 | 02.32 | 6 |
| B000892 | 05.01 | 9 | B004254 | 02.29 | 20 | B004621 | 02.37 | 11 |
| B000893 | 05.01 | 8 | B004258 | 03.02 | 27 | B0046225 | 02.04 | 19 |
| B000901 | 05.03 | 16 | B004262 | 02.13 | 15 | B004623 | 04.07 | 6 |
| B000902 | 05.03 | 17 | B004267 | 06.01 | 5 | B004629 | 02.13 | 18 |
| B000903 | 05.03 | 18 | B004268 | 06.01 | 1 | B004631 | 02.18 | 19 |
| B000909 | 05.02 | 26 | B004269 | 06.01 | 2 | B004678 | 03.06 | 14 |
| B000910 | 05.02 | 23 | B004270 | 06.01 | 10 | B004679 | 03.06 | 18 |
| B000911 | 05.02 | 24 | B004271 | 06.01 | 9 | B004680 | 03.06 | 19 |
| B0009245 | 02.04 | 8 | B004272 | 06.01 | 4 | B004681 | 02.32 | 4 |
| B000928 | 03.02 | 17 | B004273 | 06.01 | 6 | B004694 | 03.06 | 16 |
| B000932 | 03.08 | 1 | B004274 | 06.01 | 3 | B004695 | 02.17 | 41 |
| B000933 | 03.08 | 2 | B004275 | 03.08 | 7 | B004697 | 02.22 | 1 |
| B000934 | 03.08 | 3 | B004276 | 03.08 | 6 | B004698 | 06.04 | 14 |
| B000935 | 03.08 | 4 | B004278 | 06.01 | 8 | B004700 | 06.09 | 22 |
| B000937 | 06.02 | 6 | B0042833 | 02.08 | 9 | B004705 | 02.43 | 6 |
| B000944 | 02.30 | 16 | B0042843 | 02.08 | 10 | B004723 | 06.01 | 7 |

| Code | Nr. der Tafel | Pos. | Code | Nr. der Tafel | Pos. | Code | Nr. der Tafel | Pos. |
|----------|---------------|------|----------|---------------|------|----------|---------------|------|
| B004729 | 06.09 | 14 | B004995 | 02.38 | 22 | B005396 | 02.43 | 24 |
| B004730 | 06.02 | 18 | B005010 | 04.05 | 1 | B005396 | 02.43 | 29 |
| B004734 | 01.37 | 2 | B005012 | 04.05 | 20 | B005398 | 02.39 | 22 |
| B004737 | 06.06 | 2 | B005014 | 02.10 | 7 | B005399 | 02.43 | 18 |
| B004739 | 02.49 | 5 | B005015 | 02.10 | 8 | B005399 | 02.43 | 18 |
| B004741 | 02.43 | 11 | B005016 | 02.10 | 29 | B005402 | 02.38 | 27 |
| B004741 | 02.43 | 11 | B005017 | 02.10 | 31 | B005411 | 02.49 | 21 |
| B004742 | 02.43 | 25 | B005018 | 02.10 | 1 | B0054185 | 02.04 | 21 |
| B004742 | 02.43 | 25 | B005020 | 02.10 | 14 | B005420 | 02.06 | 17 |
| B0047455 | 02.02 | 15 | B005021 | 02.10 | 15 | B005424 | 02.47 | 40 |
| B0047465 | 02.02 | 19 | B005022 | 02.38 | 15 | B005425 | 02.47 | 11 |
| B0047495 | 02.02 | 14 | B005027 | 06.01 | 13 | B005426 | 01.38 | 8 |
| B0047505 | 02.02 | 18 | B005028 | 02.38 | 24 | B005427 | 01.38 | 10 |
| B004751 | 02.06 | 9 | B005028 | 02.39 | 10 | B005428 | 01.38 | 11 |
| B004758 | 02.06 | 2 | B005029 | 02.10 | 57 | B0054325 | 02.04 | 7 |
| B004760 | 02.38 | 32 | B005030 | 01.25 | 51 | B005438 | 01.37 | 6 |
| B004760 | 02.39 | 24 | B005030 | 05.06 | 10 | B005441 | 01.37 | 8 |
| B004761 | 02.38 | 33 | B005030 | 05.06 | 19 | B0054455 | 02.02 | 39 |
| B004761 | 02.39 | 25 | B005041 | 05.02 | 18 | B005447 | 02.47 | 5 |
| B004762 | 02.38 | 34 | B005042 | 05.02 | 17 | B005505 | 02.13 | 1 |
| B004762 | 02.39 | 26 | B005045 | 05.01 | 22 | B005541 | 02.06 | 19 |
| B004763 | 02.04 | 6 | B005051 | 02.43 | 32 | B0056275 | 06.04 | 14 |
| B004766 | 02.43 | 12 | B005051 | 02.44 | 2 | B005629 | 01.25 | 52 |
| B004766 | 02.43 | 32 | B005053 | 01.29 | 16 | B005629 | 04.04 | 19 |
| B004770 | 01.25 | 2 | B005054 | 01.29 | 15 | B005631 | 02.02 | 21 |
| B004771 | 02.49 | 15 | B005055 | 01.29 | 19 | B0056325 | 02.02 | 41 |
| B004774 | 02.49 | 20 | B005056 | 01.29 | 17 | B0056345 | 02.17 | 13 |
| B004775 | 01.25 | 1 | B005057 | 04.01 | 16 | B005641 | 02.47 | 22 |
| B004788 | 01.38 | 1 | B0051155 | 02.22 | 18 | B005643 | 02.47 | 19 |
| B004789 | 01.38 | 5 | B005119 | 03.02 | 30 | B005644 | 02.47 | 37 |
| B004793 | 02.49 | 11 | B005121 | 02.22 | 3 | B005658 | 02.13 | 13 |
| B004794 | 02.49 | 17 | B005122 | 02.22 | 2 | B005677 | 02.23 | 12 |
| B004800 | 02.49 | 26 | B005123 | 02.22 | 13 | B0056795 | 02.19 | 1 |
| B004806 | 06.02 | 20 | B005125 | 02.22 | 15 | B005700 | 06.01 | 12 |
| B004807 | 06.02 | 19 | B005126 | 02.22 | 11 | B005705 | 06.13 | 8 |
| B004808 | 06.02 | 21 | B005127 | 02.22 | 10 | B005817 | 01.37 | 35 |
| B004809 | 06.02 | 15 | B005263 | 02.45 | 20 | B005828 | 01.37 | 17 |
| B004810 | 06.02 | 16 | B005273 | 01.29 | 10 | B005867 | 01.25 | 50 |
| B004811 | 06.02 | 17 | B005325 | 02.13 | 2 | B005867 | 02.38 | 41 |
| B004817 | 06.01 | 16 | B005327 | 02.25 | 20 | B005867 | 02.39 | 21 |
| B004820 | 03.06 | 15 | B0053285 | 02.02 | 20 | B005868 | 01.25 | 49 |
| B004821 | 03.06 | 20 | B0053295 | 02.02 | 17 | B0058785 | 02.04 | 1 |
| B004822 | 03.06 | 33 | B005335 | 02.10 | 3 | B0058795 | 02.04 | 2 |
| B004823 | 03.06 | 31 | B005336 | 02.10 | 4 | B0058805 | 02.04 | 11 |
| B004824 | 03.06 | 32 | B005349 | 01.25 | 46 | B0058815 | 02.04 | 17 |
| B004825 | 03.06 | 25 | B005350 | 01.25 | 48 | B0058825 | 02.04 | 12 |
| B004826 | 03.06 | 24 | B005350 | 05.06 | 20 | B0058835 | 02.04 | 18 |
| B004827 | 03.06 | 13 | B005351 | 05.06 | 23 | B005884 | 06.13 | 2 |
| B004853 | 03.02 | 13 | B005352 | 05.06 | 22 | B005906 | 02.20 | 25 |
| B004857 | 06.08 | 1 | B005353 | 05.03 | 10 | B005906 | 06.01 | 19 |
| B004859 | 06.08 | 3 | B005359 | 02.17 | 9 | B005907 | 03.02 | 1 |
| B004861 | 06.08 | 2 | B005360 | 05.03 | 9 | B005909 | 03.02 | 17 |
| B004863 | 06.07 | 1 | B005363 | 03.02 | 21 | B005913 | 05.01 | 1 |
| B004869 | 06.04 | 4 | B005370 | 02.43 | 26 | B005914 | 05.01 | 11 |
| B004871 | 06.04 | 5 | B005370 | 02.43 | 26 | B005915 | 03.06 | 1 |
| B004881 | 02.20 | 16 | B005371 | 02.43 | 26 | B005943 | 06.04 | 42 |
| B004885 | 02.20 | 1 | B005371 | 02.43 | 27 | B005948 | 02.26 | 15 |
| B004886 | 02.20 | 8 | B005381 | 01.29 | 13 | B005949 | 02.26 | 16 |
| B004912 | 02.20 | 14 | B005382 | 02.47 | 6 | B005957 | 06.07 | 17 |
| B004913 | 02.20 | 15 | B005384 | 04.03 | 3 | B005957 | 06.08 | 12 |
| B004914 | 02.20 | 18 | B005385 | 02.17 | 17 | B0060475 | 02.19 | 2 |
| B004915 | 02.31 | 13 | B005387 | 02.16 | 4 | B006059 | 04.01 | 2 |
| B004936 | 06.12 | 28 | B005388 | 02.38 | 35 | B006060 | 04.01 | 12 |
| B004936 | 06.12 | 34 | B005388 | 02.39 | 27 | B006070 | 05.02 | 34 |
| B004956 | 04.06 | 3 | B005394 | 02.38 | 31 | B006070 | 05.03 | 19 |
| B004956 | 04.07 | 18 | B005394 | 02.39 | 23 | B006071 | 05.02 | 35 |
| B004981 | 04.05 | 22 | B005395 | 02.39 | 18 | B006071 | 05.03 | 20 |

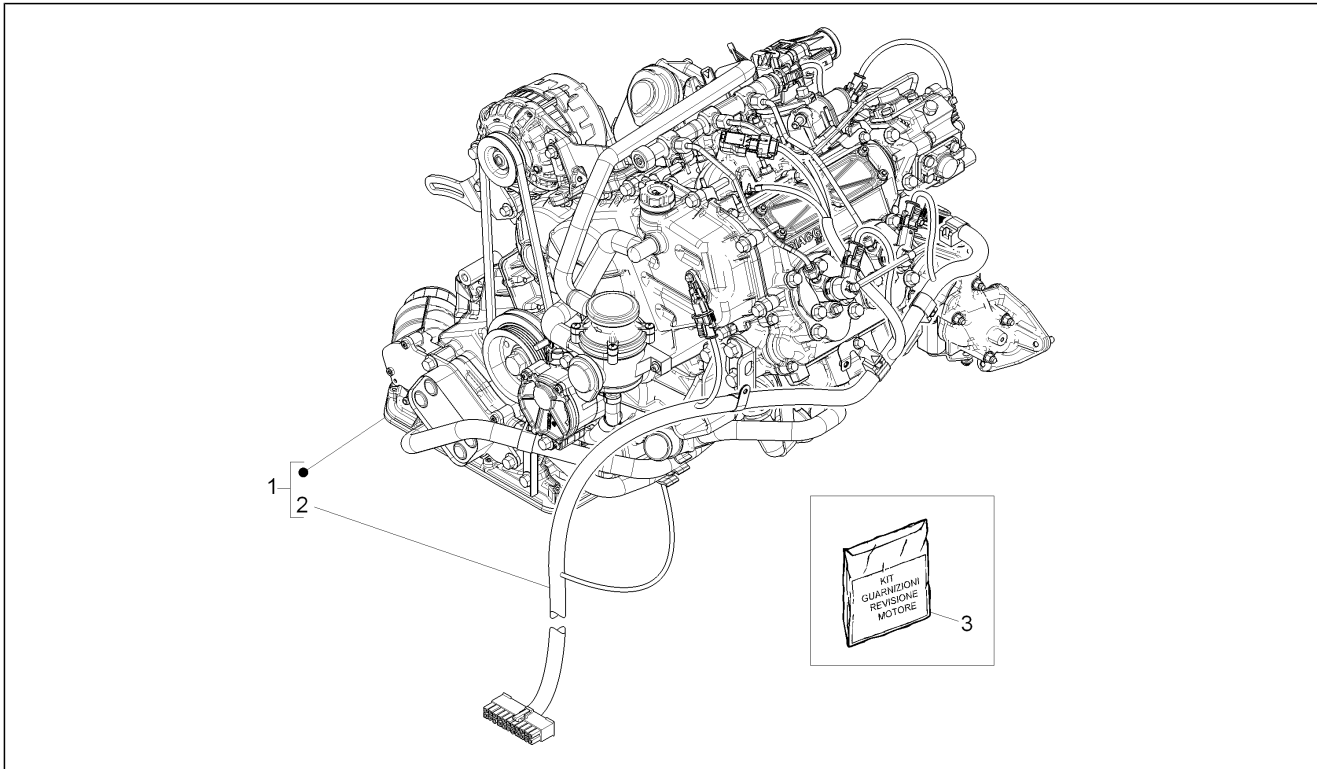
| Code | Nr. der Tafel | Pos. | Code | Nr. der Tafel | Pos. | Code | Nr. der Tafel | Pos. |
|----------|---------------|------|----------|---------------|------|---------|---------------|------|
| B006120 | 01.19 | 2 | B007331 | 02.27 | 4 | B007876 | 05.08 | 5 |
| B006127 | 06.06 | 5 | B007332 | 02.11 | 9 | B007880 | 02.49 | 19 |
| B006132 | 02.43 | 20 | B007338 | 02.07 | 25 | B007899 | 01.37 | 23 |
| B006132 | 02.43 | 20 | B007339 | 02.07 | 26 | B007900 | 01.37 | 24 |
| B006133 | 02.43 | 28 | B007340 | 02.09 | 25 | B007906 | 02.35 | 1 |
| B006133 | 02.43 | 28 | B007341 | 02.09 | 26 | B007908 | 02.36 | 10 |
| B006134 | 02.43 | 19 | B007346 | 01.33 | 39 | B007915 | 06.04 | 15 |
| B006134 | 02.43 | 19 | B007348 | 05.01 | 21 | B007924 | 05.08 | 1 |
| B006135 | 02.43 | 13 | B007353 | 06.04 | 38 | B010254 | 01.26 | 1 |
| B006135 | 02.43 | 33 | B007364 | 02.38 | 39 | B010255 | 01.26 | 28 |
| B006144 | 01.33 | 45 | B007372 | 06.04 | 37 | B010256 | 01.26 | 9 |
| B006150 | 02.43 | 23 | B0073755 | 02.04 | 3 | B010257 | 01.26 | 10 |
| B006150 | 02.43 | 30 | B007376 | 02.43 | 22 | B010258 | 01.26 | 7 |
| B0061525 | 02.02 | 36 | B007376 | 02.43 | 31 | B010259 | 01.26 | 8 |
| B006158 | 01.37 | 34 | B007392 | 02.47 | 23 | B010262 | 01.26 | 13 |
| B006161 | 06.07 | 5 | B007405 | 05.03 | 7 | B010263 | 01.26 | 14 |
| B006161 | 06.08 | 5 | B007406 | 05.03 | 8 | B010263 | 01.28 | 25 |
| B006169 | 06.12 | 1 | B007407 | 05.03 | 11 | B010265 | 01.26 | 4 |
| B006169 | 06.12 | 1 | B007408 | 05.03 | 6 | B010266 | 01.26 | 12 |
| B006174 | 06.04 | 3 | B007409 | 05.02 | 5 | B010267 | 01.26 | 2 |
| B006175 | 06.04 | 40 | B007410 | 05.02 | 4 | B010268 | 01.26 | 17 |
| B006178 | 06.13 | 7 | B007411 | 05.02 | 10 | B010269 | 01.26 | 15 |
| B006197 | 05.02 | 11 | B007412 | 05.02 | 47 | B010270 | 01.26 | 16 |
| B007024 | 04.07 | 1 | B007412 | 05.03 | 43 | B010270 | 01.30 | 10 |
| B007025 | 04.07 | 4 | B007413 | 02.36 | 6 | B010271 | 01.26 | 18 |
| B007096 | 02.49 | 23 | B007414 | 04.06 | 3 | B010272 | 01.26 | 19 |
| B007098 | 02.49 | 27 | B007414 | 04.07 | 18 | B010273 | 01.26 | 26 |
| B007099 | 02.49 | 13 | B007419 | 02.47 | 39 | B010274 | 01.26 | 11 |
| B0071125 | 02.29 | 2 | B007422 | 02.02 | 6 | B010275 | 01.26 | 29 |
| B007132 | 02.45 | 27 | B007423 | 01.37 | 1 | B010277 | 01.26 | 25 |
| B007133 | 02.45 | 23 | B007425 | 01.37 | 13 | B010278 | 01.26 | 20 |
| B007134 | 02.45 | 31 | B007428 | 01.37 | 12 | B010280 | 01.26 | 21 |
| B0071455 | 02.18 | 57 | B007434 | 01.37 | 5 | B010281 | 01.26 | 22 |
| B0071465 | 02.18 | 12 | B007435 | 04.01 | 15 | B010282 | 01.26 | 23 |
| B007147 | 02.45 | 28 | B007445 | 04.05 | 2 | B010284 | 01.26 | 27 |
| B007157 | 03.04 | 18 | B007638 | 01.33 | 40 | B010287 | 01.30 | 7 |
| B007158 | 02.45 | 25 | B007640 | 02.18 | 26 | B010288 | 01.30 | 6 |
| B007166 | 02.37 | 10 | B007640 | 02.19 | 20 | B010294 | 01.30 | 8 |
| B007194 | 02.17 | 23 | B007641 | 04.03 | 1 | B010295 | 01.27 | 1 |
| B007203 | 06.09 | 23 | B007642 | 04.03 | 2 | B010296 | 01.27 | 2 |
| B007216 | 05.02 | 21 | B007644 | 02.43 | 9 | B010297 | 01.27 | 3 |
| B0072175 | 02.04 | 8 | B007644 | 02.43 | 9 | B010298 | 01.27 | 4 |
| B007220 | 05.02 | 48 | B007644 | 02.49 | 18 | B010299 | 01.27 | 5 |
| B007220 | 05.03 | 25 | B007667 | 02.33 | 1 | B010300 | 01.27 | 6 |
| B007223 | 02.35 | 10 | B007668 | 02.33 | 4 | B010306 | 01.27 | 11 |
| B007225 | 02.35 | 11 | B007669 | 02.33 | 11 | B010307 | 01.27 | 12 |
| B007226 | 02.15 | 10 | B007670 | 02.33 | 14 | B010308 | 01.27 | 13 |
| B007227 | 02.15 | 11 | B007671 | 02.33 | 15 | B010309 | 01.27 | 14 |
| B007228 | 02.15 | 12 | B007672 | 02.34 | 1 | B010311 | 01.27 | 16 |
| B007229 | 02.16 | 1 | B007673 | 02.07 | 14 | B010312 | 01.27 | 17 |
| B007230 | 02.16 | 2 | B007674 | 02.07 | 15 | B010313 | 01.27 | 18 |
| B007231 | 02.16 | 3 | B007675 | 02.09 | 15 | B010314 | 01.27 | 19 |
| B007232 | 02.15 | 13 | B007676 | 02.09 | 17 | B010315 | 01.27 | 20 |
| B007233 | 02.15 | 4 | B007690 | 06.04 | 14 | B010316 | 01.27 | 21 |
| B007239 | 02.35 | 9 | B0076925 | 02.29 | 1 | B010317 | 01.27 | 22 |
| B007247 | 05.02 | 13 | B0076935 | 02.29 | 1 | B010318 | 01.27 | 23 |
| B007247 | 05.03 | 2 | B007703 | 02.36 | 8 | B010319 | 01.27 | 24 |
| B007249 | 01.29 | 12 | B007705 | 02.36 | 7 | B010320 | 01.27 | 25 |
| B007288 | 05.02 | 22 | B0078085 | 02.35 | 1 | B010322 | 01.27 | 26 |
| B007289 | 05.02 | 20 | B0078245 | 02.15 | 3 | B010323 | 01.27 | 27 |
| B007289 | 05.02 | 46 | B0078255 | 02.15 | 6 | B010324 | 01.27 | 28 |
| B007290 | 02.17 | 9 | B007829 | 05.01 | 19 | B010325 | 01.27 | 29 |
| B007293 | 01.29 | 1 | B007853 | 02.30 | 10 | B010326 | 01.27 | 30 |
| B007316 | 01.37 | 4 | B007854 | 02.30 | 11 | B010327 | 01.27 | 31 |
| B007324 | 02.25 | 12 | B007855 | 02.30 | 26 | B010328 | 01.27 | 32 |
| B007327 | 02.25 | 23 | B007856 | 02.30 | 25 | B010329 | 01.27 | 33 |
| B007330 | 02.27 | 5 | B007857 | 04.06 | 6 | B010330 | 01.27 | 49 |

| Code | Nr. der Tafel | Pos. | Code | Nr. der Tafel | Pos. | Code | Nr. der Tafel | Pos. |
|---------|---------------|------|---------|---------------|------|----------|---------------|------|
| B010334 | 01.27 | 38 | B010580 | 01.42 | 14 | B011088 | 01.04 | 18 |
| B010335 | 01.27 | 39 | B010637 | 01.43 | 15 | B011133 | 01.19 | 8 |
| B010336 | 01.27 | 40 | B010637 | 01.44 | 12 | B011181 | 01.19 | 20 |
| B010337 | 01.27 | 41 | B010639 | 01.16 | 4 | B011182 | 01.19 | 12 |
| B010338 | 01.27 | 42 | B010642 | 01.43 | 1 | B011183 | 01.19 | 13 |
| B010346 | 01.19 | 19 | B010644 | 01.43 | 13 | B011222 | 01.44 | 10 |
| B010350 | 01.40 | 13 | B010646 | 01.08 | 3 | B011226 | 01.33 | 48 |
| B010353 | 01.04 | 9 | B010663 | 01.16 | 10 | B011227 | 01.33 | 49 |
| B010354 | 01.04 | 15 | B010666 | 01.16 | 8 | B011236 | 01.43 | 14 |
| B010357 | 01.40 | 10 | B010670 | 01.14 | 14 | B011250 | 01.33 | 12 |
| B010362 | 01.42 | 19 | B010677 | 01.32 | 8 | B011258 | 01.40 | 19 |
| B010362 | 01.42 | 23 | B010678 | 01.14 | 13 | B011308 | 01.33 | 33 |
| B010387 | 01.04 | 11 | B010682 | 01.06 | 22 | B011340 | 01.14 | 1 |
| B010402 | 01.04 | 19 | B010682 | 01.08 | 16 | B011345 | 01.10 | 1 |
| B010407 | 01.10 | 2 | B010682 | 01.14 | 3 | B011350 | 01.33 | 11 |
| B010412 | 01.33 | 34 | B010692 | 01.44 | 8 | B011386 | 01.33 | 17 |
| B010414 | 01.07 | 7 | B010693 | 01.44 | 9 | B011390 | 01.10 | 3 |
| B010419 | 01.14 | 5 | B010699 | 01.33 | 6 | B011392 | 01.21 | 2 |
| B010427 | 01.07 | 8 | B010708 | 01.26 | 24 | B011393 | 01.21 | 3 |
| B010451 | 01.27 | 43 | B010709 | 01.30 | 5 | B011394 | 01.21 | 4 |
| B010452 | 01.27 | 44 | B010716 | 01.30 | 9 | B011401 | 01.07 | 4 |
| B010453 | 01.27 | 45 | B010720 | 01.33 | 1 | B011402 | 01.07 | 4 |
| B010454 | 01.27 | 46 | B010725 | 01.33 | 27 | B011403 | 01.07 | 5 |
| B010456 | 01.27 | 48 | B010725 | 01.43 | 3 | B011404 | 01.07 | 5 |
| B010457 | 01.27 | 8 | B010729 | 01.08 | 14 | B011405 | 01.07 | 6 |
| B010458 | 01.27 | 9 | B010732 | 01.14 | 6 | B011406 | 01.07 | 6 |
| B010459 | 01.27 | 10 | B010734 | 01.33 | 2 | B011407 | 01.40 | 1 |
| B010462 | 01.27 | 15 | B010738 | 01.14 | 16 | B011408 | 01.40 | 20 |
| B010463 | 01.27 | 35 | B010743 | 01.04 | 1 | B011441 | 01.07 | 1 |
| B010464 | 01.27 | 36 | B010747 | 01.10 | 7 | B011443 | 01.07 | 1 |
| B010467 | 01.28 | 1 | B010773 | 01.33 | 13 | B011444 | 01.07 | 2 |
| B010468 | 01.28 | 3 | B010777 | 01.19 | 11 | B011460 | 01.21 | 5 |
| B010471 | 01.28 | 6 | B010778 | 02.47 | 18 | B011505 | 01.08 | 23 |
| B010472 | 01.28 | 9 | B010780 | 01.19 | 1 | B011506 | 01.08 | 23 |
| B010473 | 01.28 | 7 | B010783 | 01.19 | 4 | B011507 | 01.08 | 23 |
| B010474 | 01.28 | 2 | B010784 | 01.19 | 6 | B011527 | 01.27 | 49 |
| B010475 | 01.28 | 10 | B010786 | 01.33 | 35 | B011528 | 01.27 | 2 |
| B010476 | 01.28 | 11 | B010794 | 01.19 | 5 | B011529 | 01.27 | 47 |
| B010477 | 01.28 | 12 | B010901 | 01.04 | 8 | B011530 | 01.30 | 5 |
| B010478 | 01.28 | 13 | B010916 | 01.40 | 18 | B011560 | 01.27 | 38 |
| B010479 | 01.28 | 14 | B010921 | 01.19 | 14 | B011561 | 01.27 | 6 |
| B010480 | 01.28 | 15 | B010929 | 01.27 | 7 | B011732 | 01.06 | 1 |
| B010481 | 01.28 | 16 | B010930 | 01.27 | 34 | B011745 | 01.17 | 1 |
| B010482 | 01.28 | 17 | B010931 | 01.28 | 5 | B011784 | 01.16 | 6 |
| B010483 | 01.28 | 32 | B010932 | 01.28 | 18 | B011862 | 01.41 | 4 |
| B010484 | 01.28 | 33 | B010933 | 01.28 | 4 | B012189 | 01.32 | 9 |
| B010485 | 01.28 | 20 | B010934 | 01.08 | 26 | B012190 | 01.09 | 2 |
| B010486 | 01.28 | 21 | B010936 | 01.19 | 15 | B012209 | 01.42 | 21 |
| B010487 | 01.28 | 22 | B010937 | 01.06 | 13 | B016806 | 02.06 | 21 |
| B010488 | 01.28 | 26 | B010941 | 01.40 | 4 | B023016 | 02.32 | 10 |
| B010492 | 01.28 | 8 | B010943 | 01.40 | 9 | B023019 | 04.05 | 10 |
| B010493 | 01.28 | 30 | B010951 | 01.27 | 47 | B023056 | 01.33 | 50 |
| B010496 | 01.28 | 31 | B010952 | 02.06 | 25 | B023058 | 06.04 | 2 |
| B010499 | 01.28 | 19 | B010960 | 01.07 | 1 | B023064 | 02.44 | 4 |
| B010500 | 01.28 | 27 | B011007 | 02.47 | 32 | B023073 | 06.07 | 18 |
| B010501 | 01.28 | 28 | B011010 | 01.40 | 6 | B023074 | 06.07 | 19 |
| B010502 | 01.28 | 29 | B011016 | 01.40 | 8 | B023082 | 02.35 | 16 |
| B010505 | 01.28 | 23 | B011017 | 01.21 | 7 | B023088 | 02.39 | 4 |
| B010506 | 01.28 | 24 | B011022 | 01.10 | 19 | B023089 | 02.38 | 7 |
| B010527 | 02.47 | 12 | B011032 | 01.44 | 6 | B0230905 | 02.17 | 2 |
| B010530 | 01.16 | 3 | B011032 | 02.06 | 26 | B0230915 | 02.17 | 1 |
| B010533 | 01.06 | 9 | B011033 | 01.33 | 14 | B023106 | 02.45 | 6 |
| B010538 | 01.06 | 1 | B011055 | 01.44 | 1 | B023109 | 02.49 | 5 |
| B010557 | 01.06 | 17 | B011058 | 01.09 | 10 | B023119 | 02.32 | 7 |
| B010563 | 01.33 | 15 | B011080 | 01.04 | 12 | B023123 | 02.39 | 1 |
| B010565 | 01.06 | 18 | B011083 | 01.27 | 37 | B023126 | 02.32 | 8 |
| B010578 | 01.16 | 1 | B011087 | 01.19 | 10 | B0231335 | 02.38 | 1 |

| Code | Nr. der Tafel | Pos. | Code | Nr. der Tafel | Pos. | Code | Nr. der Tafel | Pos. |
|----------|---------------|------|--------------|---------------|------|-------------|---------------|------|
| B023139 | 05.08 | 1 | CM017405 | 06.13 | 6 | D9004170307 | 02.06 | 6 |
| B023142 | 02.47 | 41 | CM017408 | 06.01 | 18 | D9004171053 | 04.04 | 7 |
| B023178 | 01.33 | 43 | CM017414 | 02.30 | 32 | D9004179052 | 05.08 | 13 |
| B023179 | 01.33 | 44 | CM037402 | 04.06 | 4 | D9004179081 | 02.02 | 8 |
| B023183 | 02.06 | 15 | CM037403 | 04.06 | 4 | D9004179081 | 02.43 | 24 |
| B023190 | 06.08 | 1 | CM037404 | 04.06 | 4 | D9004179081 | 02.49 | 7 |
| B023191 | 06.08 | 3 | CM037405 | 04.06 | 4 | D9004179138 | 02.45 | 8 |
| B023192 | 06.08 | 2 | CM037406 | 04.06 | 4 | D9004181008 | 02.02 | 11 |
| B023193 | 06.07 | 1 | CM037407 | 04.06 | 4 | D9004183025 | 03.02 | 14 |
| B023214 | 02.43 | 27 | CM037408 | 04.06 | 4 | D9004183025 | 03.02 | 34 |
| B023215 | 02.43 | 6 | CM037409 | 04.06 | 4 | D9004183025 | 03.02 | 5 |
| B023216 | 02.43 | 5 | CM037410 | 04.06 | 4 | D9004183025 | 03.04 | 3 |
| B023217 | 02.43 | 1 | CM037411 | 04.06 | 4 | D9004189019 | 02.08 | 5 |
| B023220 | 02.47 | 42 | CM037412 | 04.06 | 4 | D9004189019 | 02.10 | 17 |
| B023221 | 02.47 | 44 | CM038105 | 01.25 | 42 | D9004189019 | 02.18 | 44 |
| B023239 | 05.01 | 16 | CM038106 | 01.25 | 43 | D9004189019 | 02.33 | 26 |
| B023241 | 01.33 | 47 | CM038204 | 05.08 | 10 | D9004189023 | 06.03 | 24 |
| B023242 | 01.33 | 46 | CM038401 | 02.33 | 2 | D9004201542 | 04.01 | 17 |
| B023260 | 02.47 | 46 | CM038402 | 02.33 | 5 | D9004209129 | 01.37 | 16 |
| B023267 | 02.47 | 43 | CM038403 | 02.33 | 12 | D9004209143 | 04.05 | 24 |
| B023268 | 02.47 | 45 | CM038404 | 02.33 | 16 | D9004209144 | 04.05 | 23 |
| B023284 | 04.06 | 1 | CM038612 | 02.33 | 11 | D9004243017 | 01.29 | 14 |
| B023284 | 04.07 | 16 | CM0386135 | 02.33 | 14 | D9004252016 | 04.04 | 6 |
| B023290 | 02.04 | 6 | CM0386155 | 02.33 | 14 | D9004461193 | 05.06 | 14 |
| B023311 | 02.43 | 38 | CM040901 | 02.16 | 3 | D9004461364 | 05.02 | 19 |
| B023312 | 02.43 | 14 | CM040902 | 02.16 | 3 | D9004461389 | 06.09 | 16 |
| B023313 | 02.43 | 33 | D1755387Z01 | 01.37 | 14 | D9004461423 | 02.23 | 34 |
| B023315 | 02.43 | 9 | D3852187Z01 | 02.17 | 40 | D9004461423 | 05.08 | 16 |
| B023317 | 06.12 | 25 | D4351087Z02 | 04.04 | 1 | D9004461432 | 05.02 | 15 |
| B023317 | 06.12 | 27 | D4804187Z02 | 04.05 | 19 | D9004461432 | 05.03 | 4 |
| B0233195 | 02.02 | 23 | D4815587Z01 | 06.04 | 33 | D9004461439 | 05.06 | 18 |
| B023320 | 02.43 | 10 | D4840887Z03 | 04.05 | 14 | D9004461468 | 05.02 | 7 |
| B023321 | 02.43 | 35 | D5371187Z06 | 02.02 | 16 | D9004461468 | 05.03 | 26 |
| B023327 | 06.12 | 28 | D5512787Z01 | 02.29 | 9 | D9004464044 | 06.09 | 11 |
| B023327 | 06.12 | 34 | D5515287Z01 | 05.02 | 3 | D9004464072 | 06.09 | 10 |
| B023330 | 02.43 | 30 | D5515287Z01 | 05.03 | 23 | D9004464072 | 06.12 | 29 |
| B023331 | 06.12 | 25 | D5711487Z01 | 02.02 | 23 | D9004464072 | 06.12 | 36 |
| B023331 | 06.12 | 26 | D5713487Z01 | 02.02 | 13 | D9004464092 | 06.09 | 18 |
| B0233355 | 02.04 | 10 | D5803687Z02 | 02.17 | 29 | D9004464629 | 05.02 | 20 |
| B023349 | 02.43 | 31 | D5803687Z03 | 02.17 | 28 | D9004467076 | 02.25 | 9 |
| B023357 | 02.43 | 34 | D5822387Z02 | 02.02 | 27 | D9004467161 | 05.01 | 10 |
| B0233705 | 02.25 | 1 | D5822487Z02 | 02.02 | 35 | D9004467190 | 02.38 | 29 |
| B023449 | 06.12 | 33 | D5862287Z01 | 02.35 | 7 | D9004467190 | 02.39 | 32 |
| B023511 | 02.39 | 33 | D6531187Z035 | 02.18 | 32 | D9004467449 | 02.43 | 7 |
| B023512 | 02.38 | 43 | D6644387Z01 | 02.18 | 17 | D9004467449 | 02.43 | 7 |
| B023532 | 05.01 | 25 | D6895087Z035 | 02.10 | 72 | D9004467449 | 02.49 | 9 |
| B025103 | 06.13 | 16 | D6896087Z035 | 02.10 | 69 | D9004468231 | 02.31 | 12 |
| B025105 | 06.13 | 10 | D7269187Z01 | 02.34 | 3 | D9004468231 | 02.35 | 3 |
| B025106 | 06.13 | 17 | D7445187Z03 | 06.04 | 17 | D9004468231 | 02.38 | 21 |
| B025626 | 06.13 | 10 | D7555287Z03 | 02.16 | 13 | D9004480352 | 02.08 | 20 |
| B026114 | 02.43 | 2 | D7729187Z03 | 02.38 | 20 | D9004480352 | 02.10 | 19 |
| B026177 | 02.43 | 1 | D8271587Z29 | 06.09 | 12 | D9004480370 | 06.12 | 32 |
| CM001901 | 05.01 | 24 | D8538087Z01 | 06.12 | 35 | D9004480370 | 06.12 | 32 |
| CM001903 | 02.43 | 21 | D9004101431 | 02.06 | 10 | D9004480595 | 02.44 | 1 |
| CM001905 | 02.45 | 30 | D9004101583 | 04.01 | 10 | D9004480596 | 01.38 | 17 |
| CM001906 | 01.16 | 7 | D9004117087T | 04.05 | 9 | D9004480596 | 02.43 | 37 |
| CM001906 | 01.33 | 36 | D9004119494 | 05.02 | 37 | D9004480596 | 05.02 | 31 |
| CM001906 | 01.43 | 7 | D9004119494 | 05.03 | 33 | D9004480596 | 05.03 | 30 |
| CM001907 | 01.33 | 37 | D9004119554 | 06.07 | 6 | D9004540022 | 05.02 | 16 |
| CM001907 | 02.45 | 29 | D9004119554 | 06.08 | 6 | D9004540022 | 05.03 | 3 |
| CM001914 | 01.37 | 22 | D9004159110 | 02.13 | 20 | D9004540022 | 05.08 | 23 |
| CM001915 | 01.44 | 4 | D9004159188 | 02.08 | 11 | D9004560215 | 01.38 | 18 |
| CM001915 | 02.43 | 41 | D9004159188 | 02.10 | 9 | D9004560252 | 02.06 | 13 |
| CM001927 | 01.44 | 11 | D9004159292 | 02.15 | 5 | D9004871033 | 02.17 | 3 |
| CM001927 | 01.44 | 7 | D9004159295 | 02.10 | 32 | D9004871033 | 05.09 | 3 |
| CM017401 | 06.03 | 10 | D9004159410 | 02.02 | 3 | D9004871098 | 02.29 | 22 |
| CM017403 | 03.02 | 15 | D9004170152 | 04.05 | 26 | D9004871099 | 02.17 | 4 |

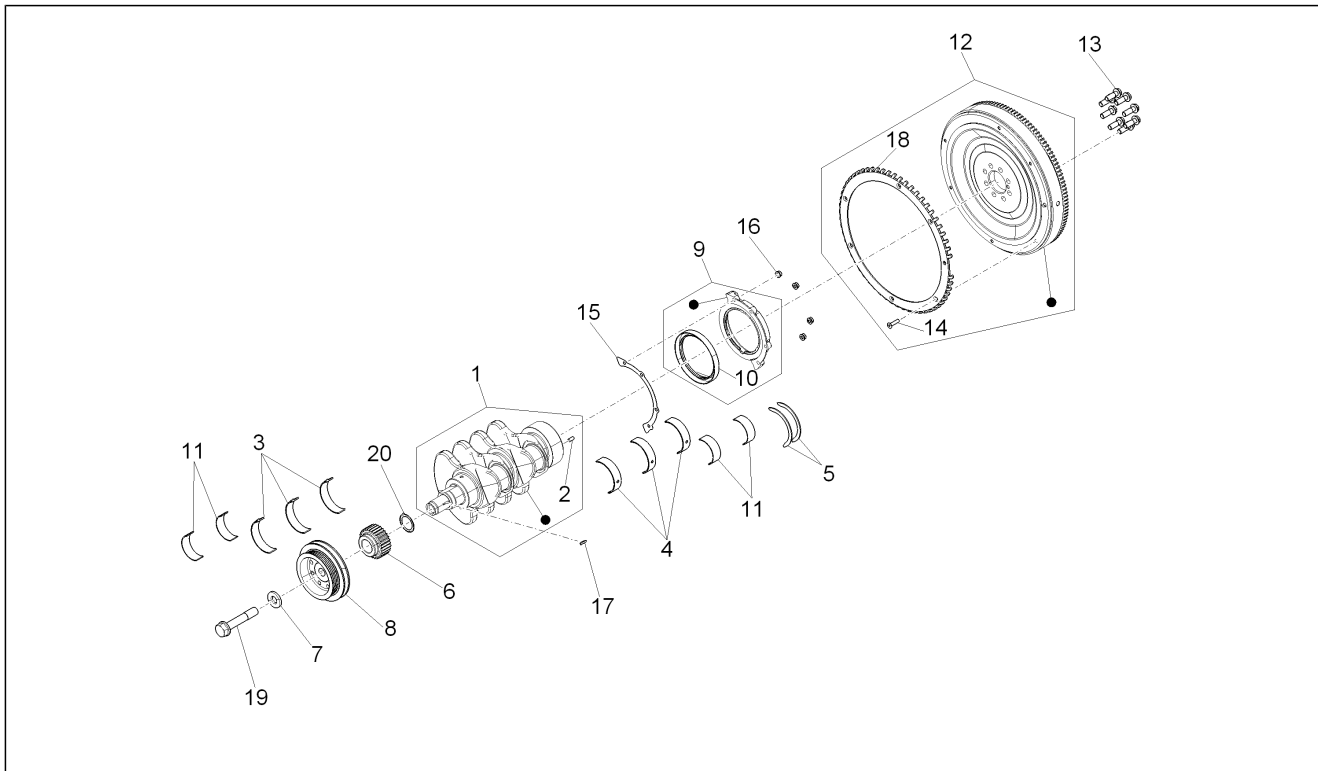
| Code | Nr. der Tafel | Pos. | Code | Nr. der Tafel | Pos. |
|-------------|---------------|------|-------------|---------------|------|
| D9004874004 | 02.03 | 3 | D9166140616 | 02.10 | 63 |
| D9004874004 | 02.13 | 9 | D9166140616 | 02.16 | 8 |
| D9004874004 | 02.17 | 16 | D9166140616 | 02.23 | 35 |
| D9004874004 | 02.25 | 11 | D9166140616 | 02.31 | 14 |
| D9161140612 | 02.10 | 30 | D9166140616 | 02.43 | 40 |
| D9161140614 | 02.10 | 43 | D9166140616 | 02.45 | 15 |
| D9161140814 | 06.04 | 36 | D9166140616 | 03.02 | 8 |
| D9161160614 | 02.10 | 28 | D9166160820 | 02.10 | 61 |
| D9161160614 | 05.06 | 15 | D9166160820 | 02.19 | 3 |
| D9161160816 | 05.02 | 36 | D9166160820 | 02.21 | 11 |
| D9161160818 | 01.29 | 11 | D9321955016 | 02.23 | 22 |
| D9161261020 | 06.04 | 11 | D9327056012 | 03.06 | 9 |
| D9162140612 | 02.17 | 15 | D9331536016 | 02.13 | 23 |
| D9162140816 | 02.10 | 42 | D9338116008 | 02.10 | 20 |
| D9162160620 | 02.10 | 55 | D9338116008 | 05.06 | 21 |
| D9163140616 | 03.02 | 10 | D9338315020 | 06.09 | 3 |
| D9165140612 | 01.33 | 42 | D9338515010 | 02.10 | 53 |
| D9165140612 | 02.26 | 18 | D9351014020 | 02.13 | 25 |
| D9165140612 | 02.43 | 16 | D9351055030 | 06.03 | 23 |
| D9165140612 | 02.43 | 16 | D9353055012 | 02.08 | 4 |
| D9165140612 | 02.49 | 12 | D9354016012 | 02.10 | 16 |
| D9165140612 | 05.02 | 25 | D9356016014 | 02.33 | 25 |
| D9165140612 | 06.09 | 13 | D9356715014 | 02.47 | 9 |
| D9165140614 | 02.43 | 39 | D9356755014 | 02.45 | 11 |
| D9165140614 | 02.44 | 7 | D9356755014 | 02.45 | 18 |
| D9165140614 | 05.01 | 26 | D9356755014 | 02.45 | 33 |
| D9165140614 | 06.12 | 14 | D9356755014 | 03.02 | 18 |
| D9165140616 | 01.33 | 41 | D9356755014 | 03.02 | 32 |
| D9165140616 | 02.31 | 15 | D9356755014 | 03.04 | 2 |
| D9165140616 | 02.38 | 14 | D9356755014 | 05.08 | 12 |
| D9165140616 | 02.39 | 16 | D9356755014 | 06.02 | 9 |
| D9165140616 | 02.39 | 20 | D9411040600 | 02.21 | 26 |
| D9165140616 | 02.43 | 13 | D9411040600 | 05.06 | 5 |
| D9165140616 | 02.43 | 36 | D9411040800 | 05.08 | 22 |
| D9165140616 | 02.49 | 6 | D9411041000 | 02.06 | 7 |
| D9165140616 | 05.02 | 8 | D9411051000 | 04.05 | 16 |
| D9165140616 | 05.03 | 27 | D9411071000 | 04.05 | 5 |
| D9165140616 | 05.08 | 15 | D9411541200 | 04.05 | 27 |
| D9165140616 | 06.04 | 16 | D9411551200 | 04.01 | 7 |
| D9165140616 | 06.06 | 3 | D9411551200 | 04.03 | 15 |
| D9165140616 | 06.06 | 7 | D9411571200 | 04.01 | 8 |
| D9165140616 | 06.07 | 7 | D9451101200 | 04.05 | 25 |
| D9165140616 | 06.08 | 7 | D9451201200 | 04.01 | 5 |
| D9165140616 | 06.09 | 17 | D9451201200 | 04.03 | 14 |
| D9165140620 | 03.02 | 31 | D9461110800 | 01.29 | 20 |
| D9165140620 | 03.02 | 33 | D9461410600 | 02.21 | 30 |
| D9165140620 | 05.09 | 2 | D9461410800 | 01.29 | 18 |
| D9165140620 | 06.12 | 27 | D9461410800 | 05.08 | 25 |
| D9165140620 | 06.12 | 33 | D9622130705 | 05.02 | 9 |
| D9165140820 | 02.34 | 2 | D9622130705 | 05.03 | 21 |
| D9165141028 | 02.19 | 9 | | | |
| D9165160610 | 05.02 | 14 | | | |
| D9165160610 | 05.03 | 1 | | | |
| D9165160614 | 01.37 | 36 | | | |
| D9165160618 | 01.37 | 18 | | | |
| D9165160618 | 05.06 | 24 | | | |
| D9165160818 | 02.17 | 25 | | | |
| D9165160820 | 02.19 | 11 | | | |
| D9165160820 | 02.21 | 18 | | | |
| D9165160820 | 02.34 | 4 | | | |
| D9165160820 | 05.08 | 2 | | | |
| D9165160822 | 05.06 | 3 | | | |
| D9165160825 | 02.06 | 18 | | | |
| D9165160830 | 05.02 | 1 | | | |
| D9165160830 | 05.03 | 15 | | | |
| D9166140612 | 01.29 | 8 | | | |
| D9166140612 | 02.29 | 15 | | | |

| | |
|---------------------|-----------------|
| Einheit | Motor |
| Code | 01.01 |
| Beschreibung | Motor, komplett |
| Inspektion | 1 |



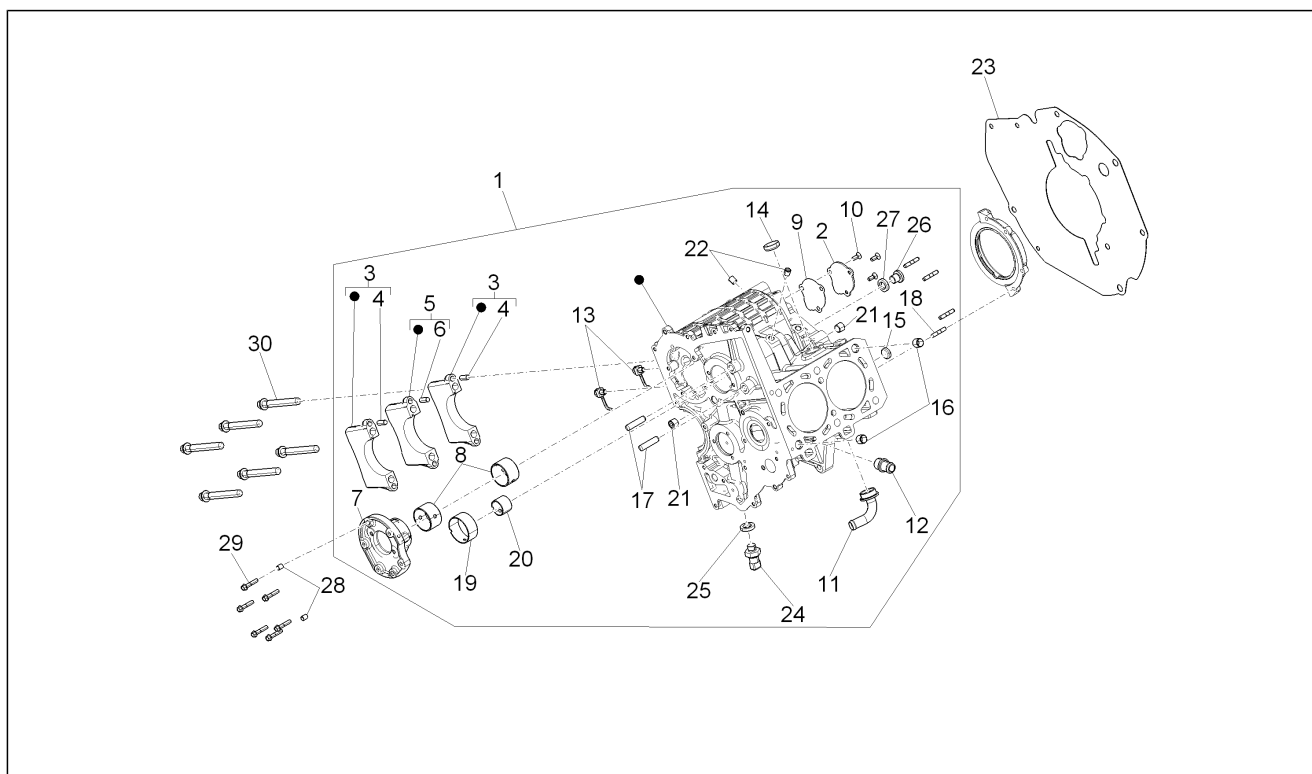
| Pos. | Code | Beschreibung | Menge | Varianten |
|------|----------|------------------------------------|-------|-----------|
| 1 | 888000 | Motor kompl. Turbodiesel 1200 cc | 1 | |
| 2 | 641441 | Motor Kabel | 1 | |
| 3 | 1R000091 | Satz Dichtungen Revision Motor BTC | 1 | |

| | |
|---------------------|-------------|
| Einheit | Motor |
| Code | 01.04 |
| Beschreibung | Kurbelwelle |
| Inspektion | 1 |



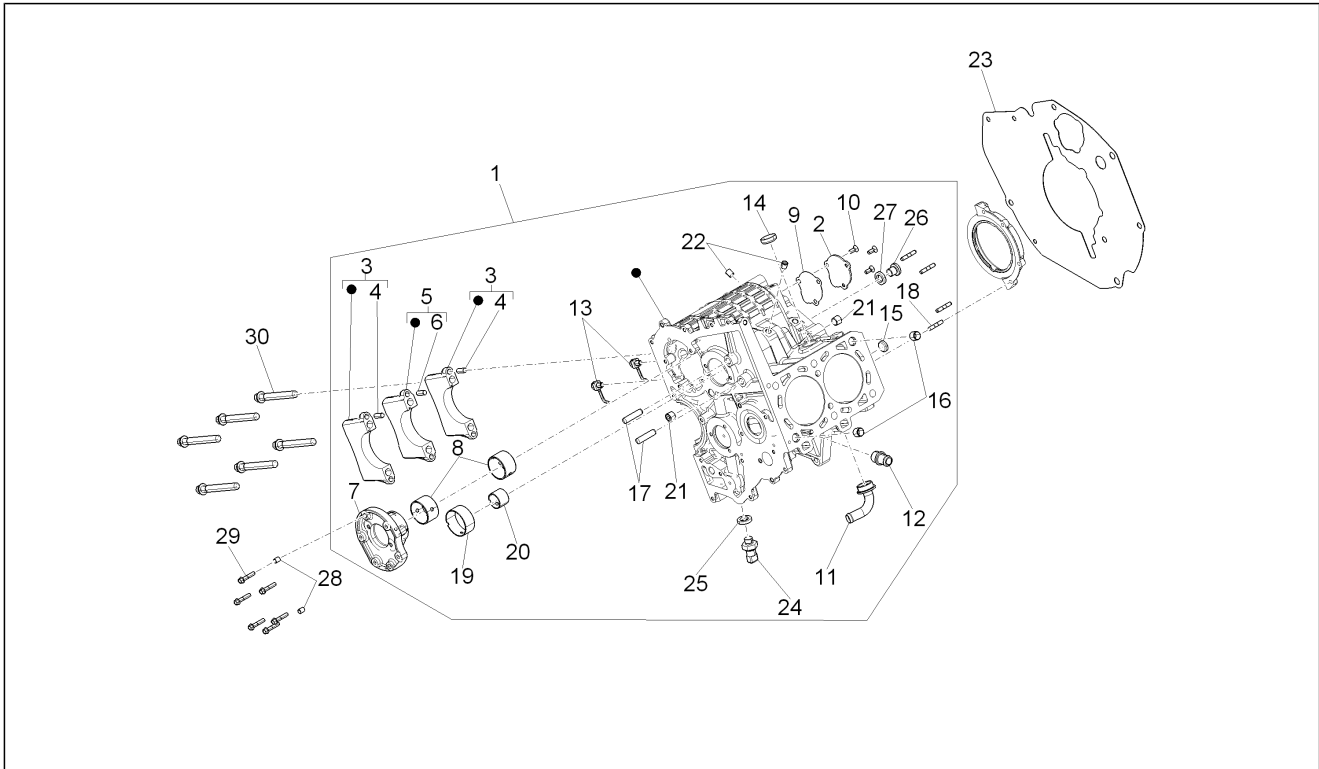
| Pos. | Code | Beschreibung | Menge | Varianten |
|------|---------|----------------------|-------|-----------|
| 1 | B010743 | | 1 | |
| 2 | 828855 | Zylinderwalze | 1 | |
| 3 | 889102 | Halbsch. Bronzebchs. | 3 | |
| 4 | 888055 | Halbsch. Bronzebchs. | 3 | |
| 5 | 882083 | Paßscheibe | 2 | |
| 6 | 889628 | Antriebszahnrad | 1 | |
| 7 | 875970 | Tellerfeder | 1 | |
| 8 | B010901 | Riemenscheibe | 1 | |
| 9 | B010353 | Halterung komplett | 1 | |
| 10 | 882072 | Gasket ring | 1 | |
| 11 | B010387 | Bronzebuchse | 4 | |
| 12 | B011080 | Schwungrad komplett | 1 | |
| 13 | 882087 | Sechskantschraube | 8 | |
| 14 | 840542 | Schraube | 6 | |
| 15 | B010354 | Dichtung | 1 | |
| 16 | 888841 | Geflanschte Mutter | 4 | |
| 17 | 018211 | Lasche | 1 | |
| 18 | B011088 | Phonic wheel | 1 | |
| 19 | B010402 | Sechskantschraube | 1 | |
| 20 | 882085 | Dichtung | 1 | |

| | |
|---------------------|---------------|
| Einheit | Motor |
| Code | 01.06 |
| Beschreibung | Zylinderblock |
| Inspektion | 1 |



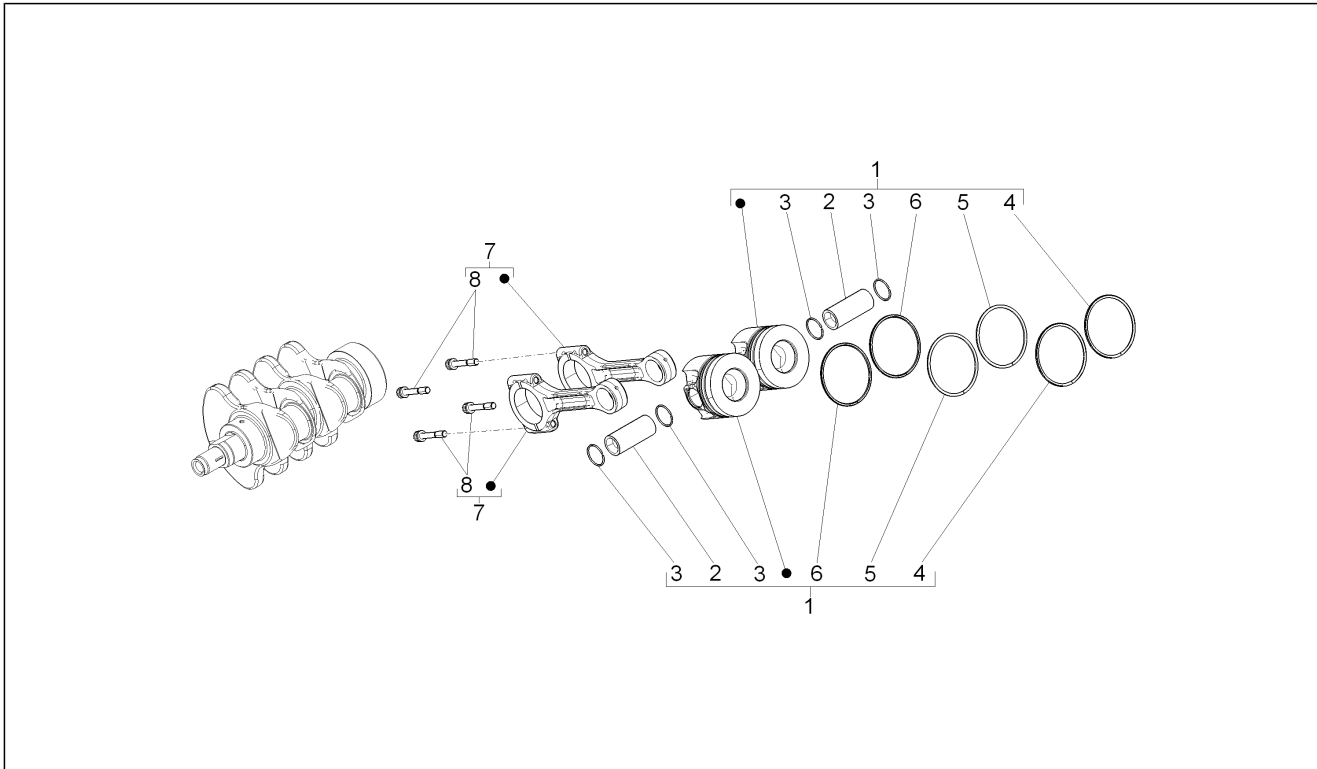
| Pos. | Code | Beschreibung | Menge | Varianten |
|------|---------|----------------------------|-------|-----------|
| 1 | B010538 | Motorgehäuse | 1 | |
| 1 | B011732 | Motorgehäuse | 1 | |
| 2 | 888400 | Deckel Vorgelegewelle | 1 | |
| 3 | 889134 | Hauptlagerdeckel | 2 | |
| 4 | 888298 | Paßstift | 4 | |
| 5 | 889135 | Hauptlagerdeckel | 1 | |
| 6 | 888298 | Paßstift | 2 | |
| 7 | 888050 | Halterung Vorgelegewelle | 1 | |
| 8 | 882180 | Hauptlager Vorgelegewelle | 2 | |
| 9 | B010533 | Dichtung | 1 | |
| 10 | 829527 | Schraube M6x16 | 3 | |
| 11 | 889141 | Anschl. Wasseraus. | 1 | |
| 12 | 888685 | Anschl. Öleintritt | 1 | |
| 13 | B010937 | Düse | 2 | |
| 14 | 888330 | Deckel | 3 | |
| 15 | 889177 | Deckel | 1 | |
| 16 | 888122 | Zapfen | 2 | |
| 17 | B010557 | Bolzen | 2 | |
| 18 | B010565 | Stiftschraube | 4 | |
| 19 | 882181 | Bronzebuchse | 1 | |
| 20 | 882182 | Bronzebuchse | 1 | |
| 21 | 831135 | Verschlussschraube M14x1,5 | 2 | |
| 22 | B010682 | Verschlussschraube | 2 | |
| 23 | 889847 | Blech Kupplungskorb | 1 | |
| 24 | 882367 | Öldrucksensor | 1 | |
| 25 | 074456 | Unterlegscheibe | 1 | |
| 26 | 888675 | Verschlussschraube | 1 | |
| 27 | 074456 | Unterlegscheibe | 1 | |

| | |
|---------------------|---------------|
| Einheit | Motor |
| Code | 01.06 |
| Beschreibung | Zylinderblock |
| Inspektion | 1 |



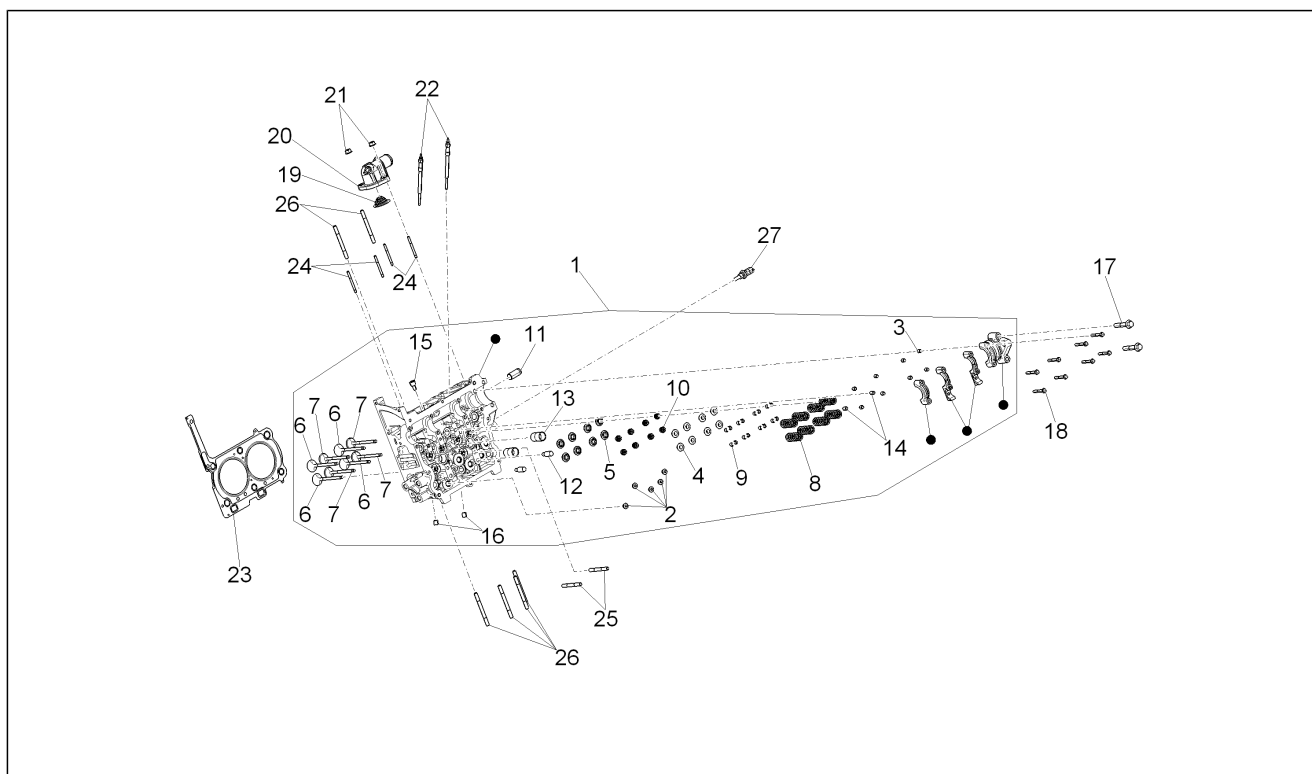
| Pos. | Code | Beschreibung | Menge | Varianten |
|------|--------|---------------------|-------|-----------|
| 28 | 411209 | Stift | 2 | |
| 29 | 872421 | TE Schr. m. Flansch | 6 | |
| 30 | 888564 | TE Schr. m. Flansch | 6 | |

| | |
|---------------------|----------------|
| Einheit | Motor |
| Code | 01.07 |
| Beschreibung | Einheit Kolben |
| Inspektion | 1 |



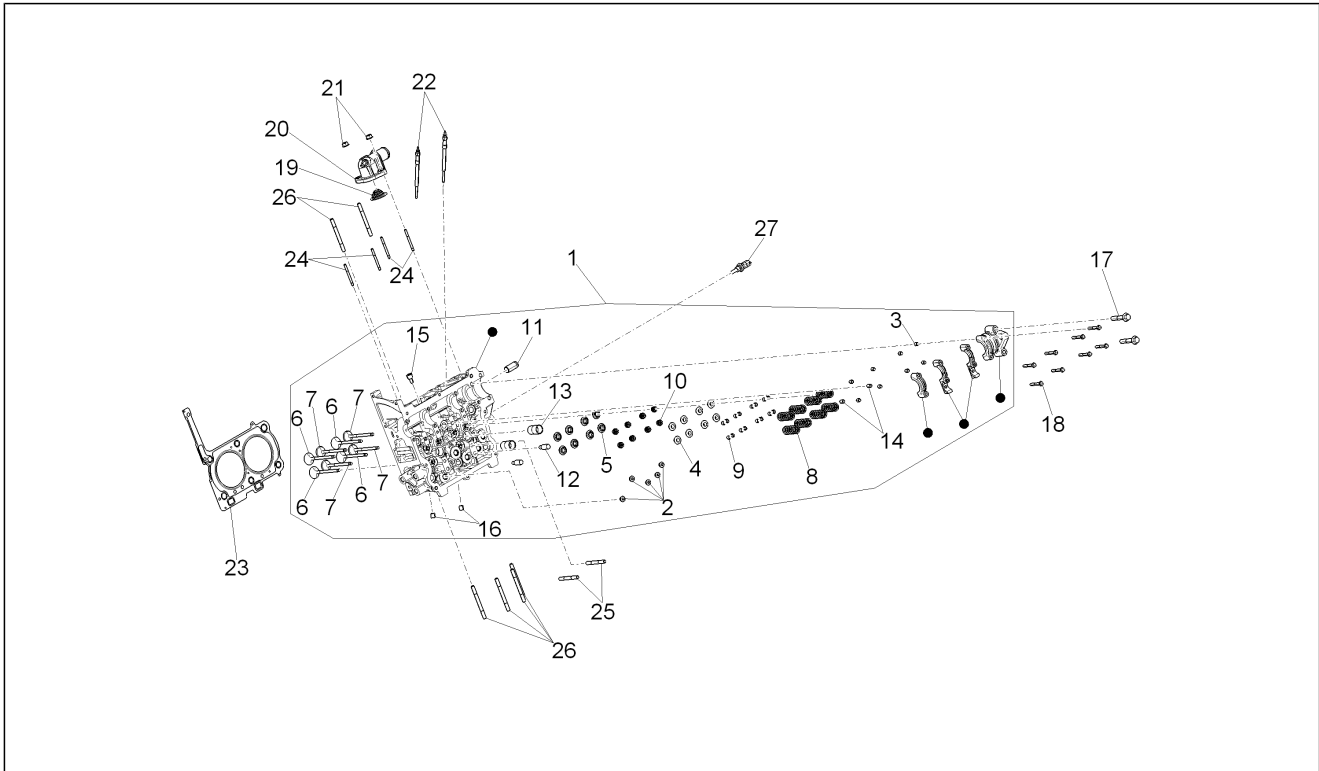
| Pos. | Code | Beschreibung | Menge | Varianten |
|------|---------|----------------------------|-------|-----------|
| 1 | B010960 | Kolben komplett | 2 | |
| 1 | B011441 | Kolben komplett 1° magg. | 2 | |
| 1 | B011443 | Kolben komplett 2° magg. | 2 | |
| 2 | 889606 | Kolbenbolzen | 2 | |
| 2 | B011444 | Kolbenbolzen | 2 | |
| 3 | 889607 | Rückhaltering | 4 | |
| 4 | 889608 | Erster Druckring | 2 | |
| 4 | B011401 | Erster Druckring 1° magg. | 2 | |
| 4 | B011402 | Erster Druckring 2° magg. | 2 | |
| 5 | 889609 | Zweiter Druckring | 2 | |
| 5 | B011403 | Zweiter Druckring 1° magg. | 2 | |
| 5 | B011404 | Zweiter Druckring 2° magg. | 2 | |
| 6 | 889610 | Ölabstreifer | 2 | |
| 6 | B011405 | Ölabstreifer 1° magg. | 2 | |
| 6 | B011406 | Ölabstreifer 2° magg. | 2 | |
| 7 | B010414 | Pleuel, kompl. | 2 | |
| 8 | B010427 | Sechskantschraube | 4 | |

| | |
|---------------------|-----------------------|
| Einheit | Motor |
| Code | 01.08 |
| Beschreibung | Einheit Kopf - Ventil |
| Inspektion | 1 |



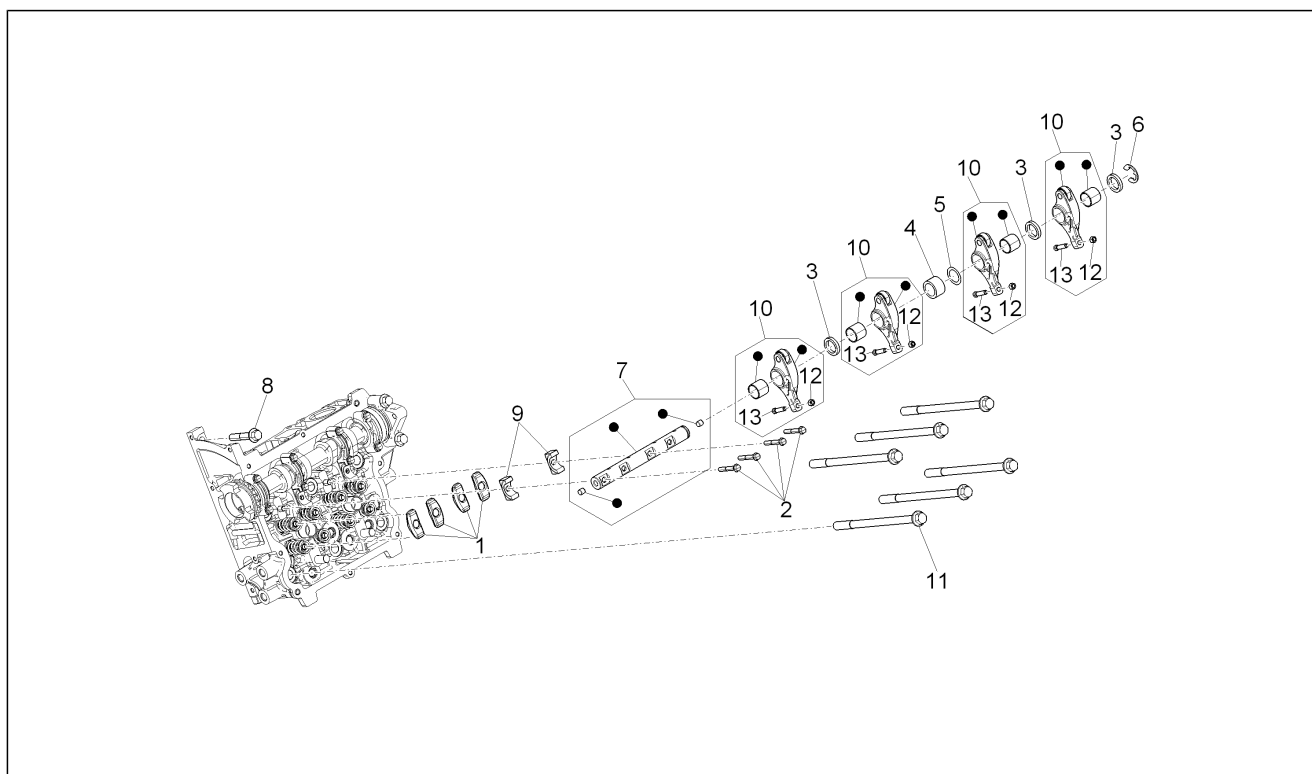
| Pos. | Code | Beschreibung | Menge | Varianten |
|------|---------|-----------------------------------|-------|-----------|
| 1 | 889738 | Zylinderkopf komplett | 1 | |
| 2 | 411311 | Verschlussschraube M12x1,5 | 5 | |
| 3 | B010646 | Haltestein | 8 | |
| 4 | 888062 | Federteller oben | 8 | |
| 5 | 882218 | Federteller unten | 8 | |
| 6 | 882202 | Einlassventil | 4 | |
| 7 | 882203 | Auslassventil | 4 | |
| 8 | 882204 | Ventilfeder | 8 | |
| 9 | 882220 | Ventilhalbkegel | 16 | |
| 10 | 882207 | Valve guide seal fitting jig | 8 | |
| 11 | 888223 | Wasserschlauch | 1 | |
| 12 | 888042 | Stiftschraube | 2 | |
| 13 | 888214 | Hülse Einspritzdüse | 2 | |
| 14 | B010729 | Haltestein | 2 | |
| 15 | 889787 | Verschlussschraube | 1 | |
| 16 | B010682 | Verschlussschraube | 2 | |
| 17 | 830198 | Schraube M8x50 | 2 | |
| 18 | 888196 | TE Schr. m. Flansch | 8 | |
| 19 | 888775 | Thermostat | 1 | |
| 20 | 889120 | Sammelleitung Thermostatausgang | 1 | |
| 21 | 434078 | Mutter | 2 | |
| 22 | 889767 | Vorwärmkerze | 2 | |
| 23 | B011505 | Dichtung Kopf-Zylinder | 1 | |
| 23 | B011506 | Dichtung Kopf-Zylinder | 1 | |
| 23 | B011507 | Zylinderkopfdichtung | 1 | |
| 24 | 827018 | Auspufftopf Stiftschraube M8x3x46 | 4 | |
| 25 | 889670 | Stiftschraube | 2 | |
| 26 | B010934 | Stiftschraube | 6 | |

| | |
|---------------------|-----------------------|
| Einheit | Motor |
| Code | 01.08 |
| Beschreibung | Einheit Kopf - Ventil |
| Inspektion | 1 |



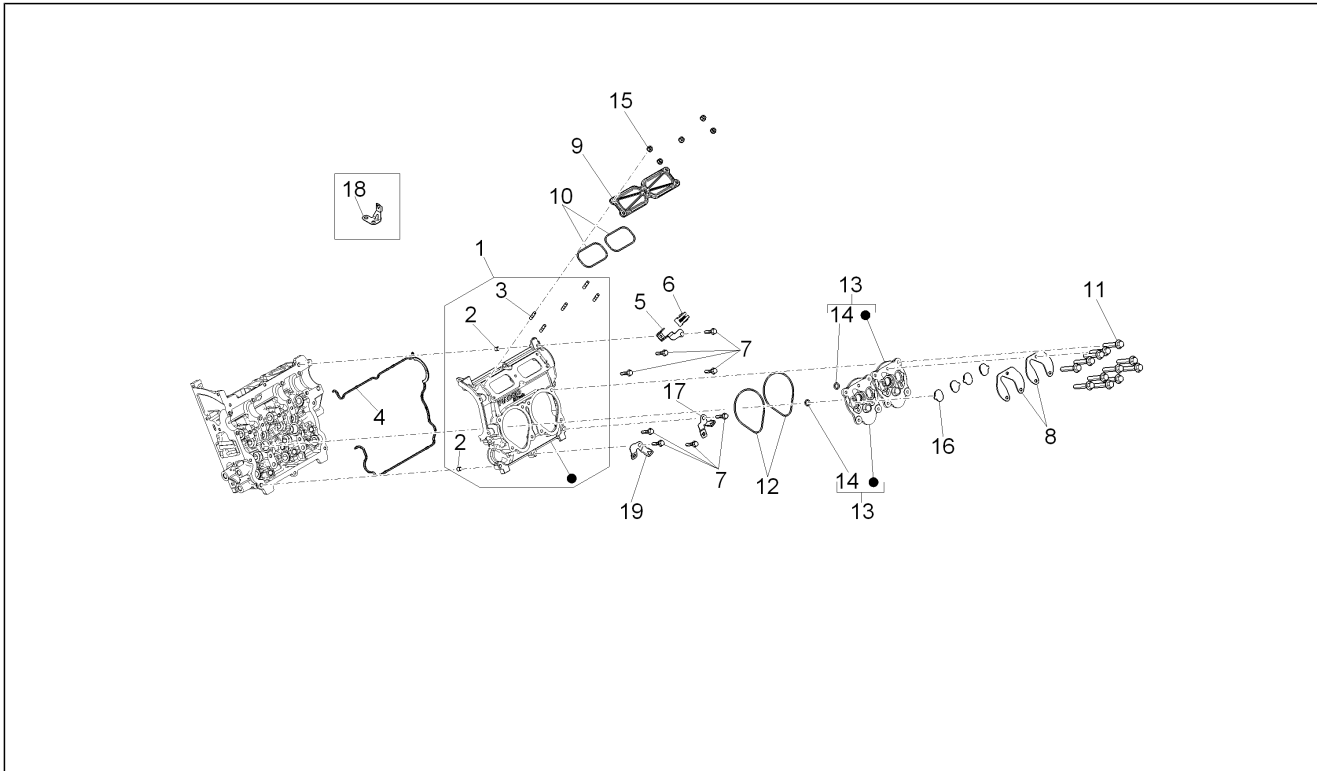
| Pos. | Code | Beschreibung | Menge | Varianten |
|------|--------|------------------|-------|-----------|
| 27 | 882356 | Temperaturfühler | 1 | |

| | |
|---------------------|-----------------------|
| Einheit | Motor |
| Code | 01.09 |
| Beschreibung | Schwinghebelhalterung |
| Inspektion | 1 |



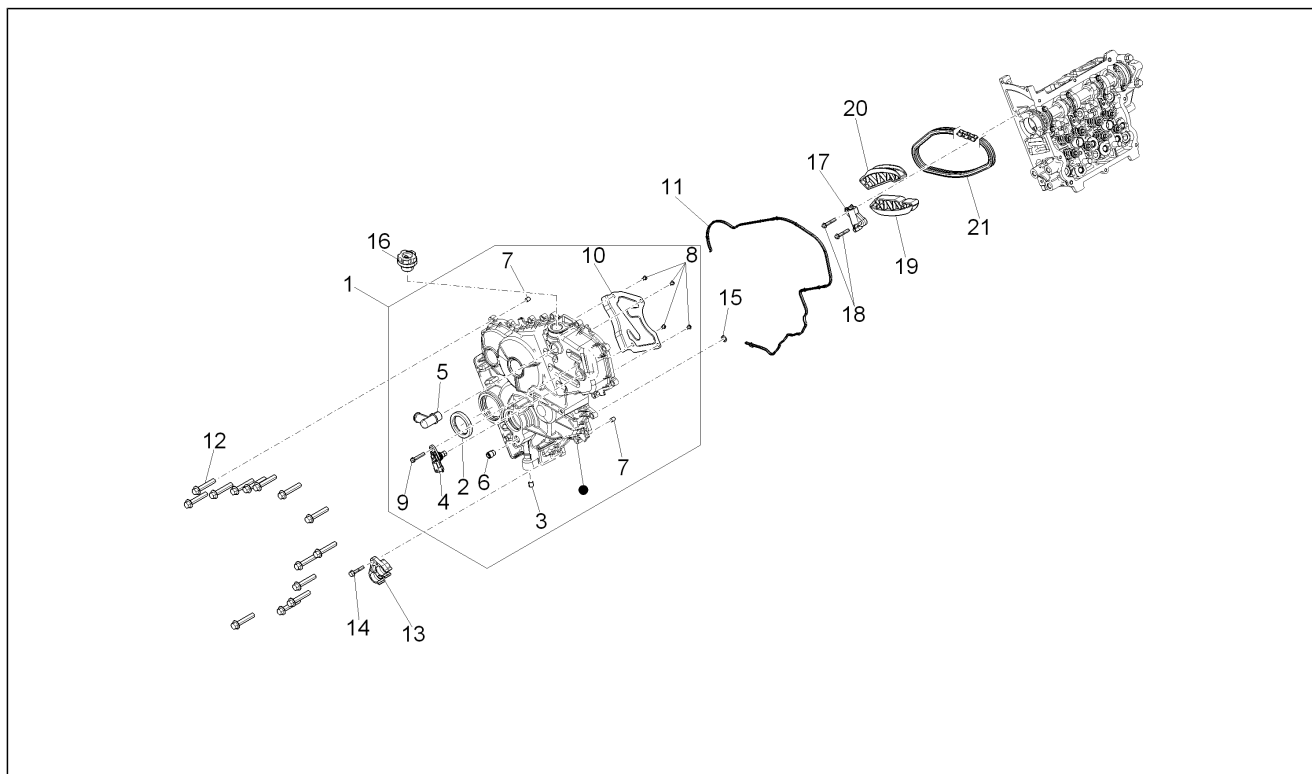
| Pos. | Code | Beschreibung | Menge | Varianten |
|------|---------|--------------------------|-------|-----------|
| 1 | 889553 | Überbrückung | 4 | |
| 2 | 888196 | TE Schr. m. Flansch | 4 | |
| 2 | B012190 | TE Schr. m. Flansch | 4 | |
| 3 | 888213 | Distanzscheibe | 3 | |
| 4 | 888259 | Distanzscheibe | 1 | |
| 5 | 889060 | Distanzscheibe mm 0,3 | 1 | |
| 5 | 889061 | Distanzscheibe mm 0,5 | 1 | |
| 5 | 889062 | Distanzscheibe mm 0,6 | 1 | |
| 5 | 889087 | Distanzscheibe mm 0,8 | 1 | |
| 6 | 888337 | Seegerring | 1 | |
| 7 | 888211 | Kipphebelachse | 1 | |
| 8 | 655169 | TE Schr. m. Flansch | 1 | |
| 9 | 888256 | Halterung Kipphebelwelle | 2 | |
| 10 | B011058 | Kipphebel kpl. | 4 | |
| 11 | 888934 | TE Schr. m. Flansch | 6 | |
| 12 | 484819 | Mutter | 4 | |
| 13 | 889190 | Einstellschraube | 4 | |

| | |
|---------------------|-----------------------|
| Einheit | Motor |
| Code | 01.10 |
| Beschreibung | Zylinderkopfabdeckung |
| Inspektion | 1 |



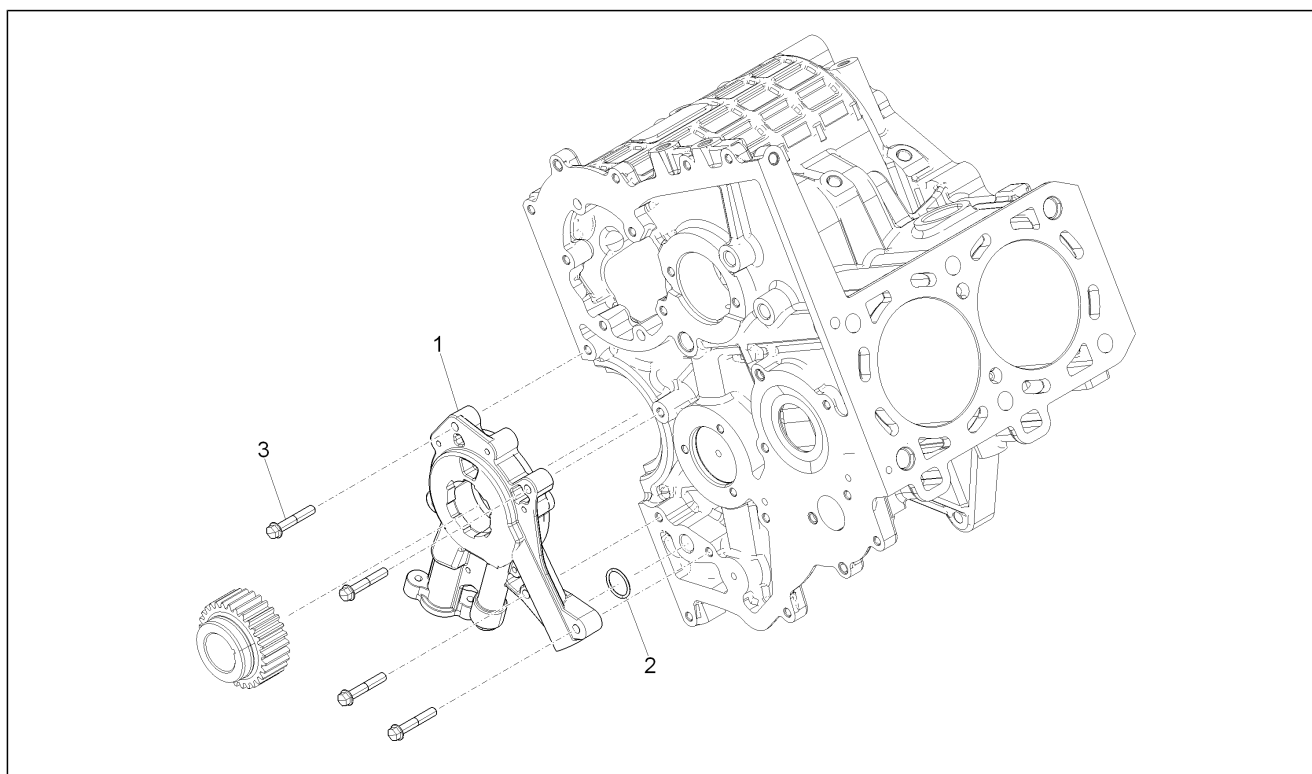
| Pos. | Code | Beschreibung | Menge | Varianten |
|------|---------|---------------------------|-------|-----------|
| 1 | B011345 | Kopfdeckel kplt. | 1 | |
| 2 | B010407 | Haltestein | 2 | |
| 3 | B011390 | Stiftschraube | 5 | |
| 4 | 889963 | Kopf Deckel Dichtung | 1 | |
| 5 | 889688 | Bügel | 1 | |
| 6 | 889689 | Puffer | 1 | |
| 7 | B010747 | TE Schr. m. Flansch | 8 | |
| 8 | 889664 | Deckel | 2 | |
| 9 | 889146 | Zugangsdeckel | 1 | |
| 10 | 889174 | Dichtung | 2 | |
| 11 | 833722 | TE Schr. m. Flansch M6x14 | 14 | |
| 12 | 889668 | Dichtung | 2 | |
| 13 | 8899824 | Halterung Einspritzdüse | 2 | |
| 14 | 191189 | Dichtung | 2 | |
| 15 | 888841 | Geflanschte Mutter | 5 | |
| 16 | 889973 | Dichtung | 4 | |
| 17 | 889691 | Haltebügel | 1 | |
| 18 | 889694 | Haltebügel | 1 | |
| 19 | B011022 | Haltebügel | 1 | |

| | |
|---------------------|-----------------------------------|
| Einheit | Motor |
| Code | 01.14 |
| Beschreibung | Ventilsteuerungsriemen und Deckel |
| Inspektion | 1 |



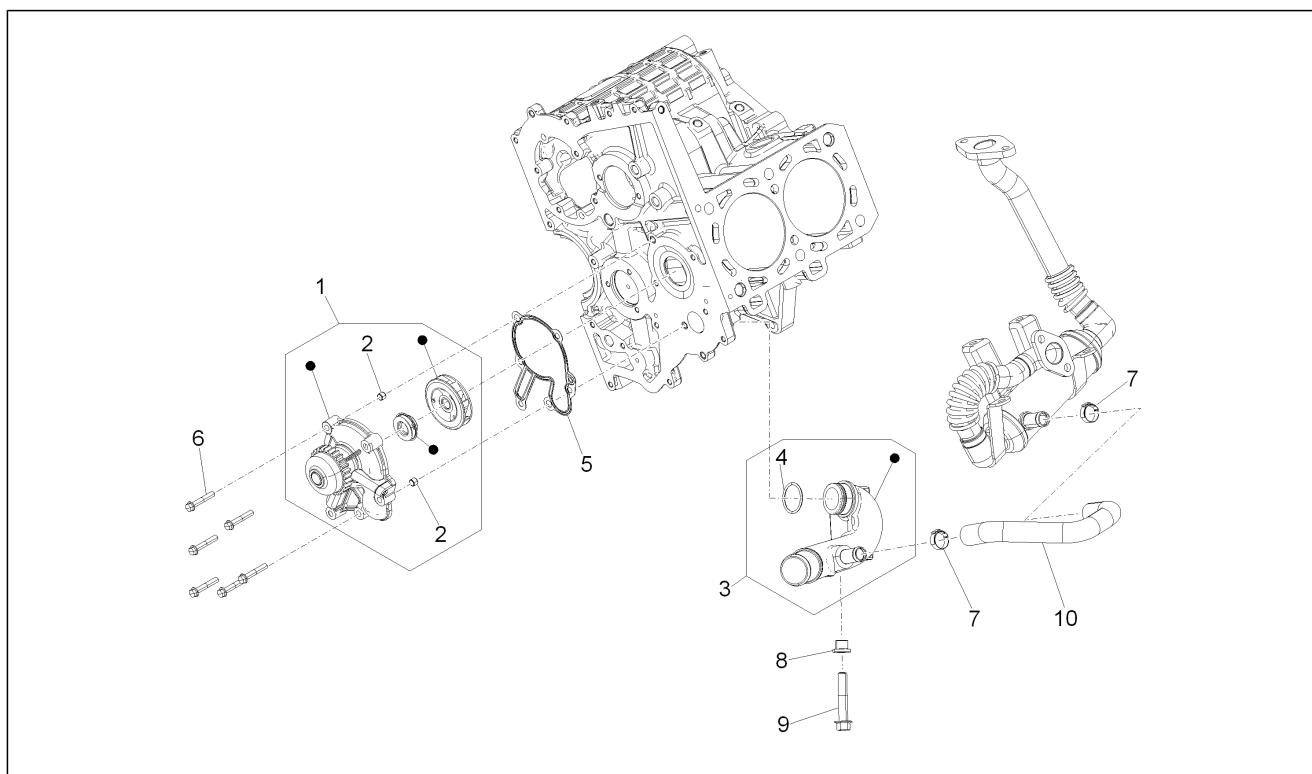
| Pos. | Code | Beschreibung | Menge | Varianten |
|------|---------|---------------------------------|-------|-----------|
| 1 | B011340 | Steuer Deckel kpl. | 1 | |
| 2 | 882171 | Gasket ring | 1 | |
| 3 | B010682 | Verschlußschraube | 1 | |
| 4 | 889444 | Nockenwellendrehzahlsensor | 1 | |
| 5 | B010419 | Wasseranschluss | 1 | |
| 6 | B010732 | Buchse | 1 | |
| 7 | 411209 | Stift | 2 | |
| 8 | 840541 | TBEI Schraube | 4 | |
| 9 | 434541 | TE Schr. m. Flansch M6x16 | 1 | |
| 10 | 888428 | Deckel Blow-By | 1 | |
| 11 | 889099 | Dichtung | 1 | |
| 12 | 830784 | Schraube | 14 | |
| 13 | B010678 | Befestigungsschelle Leitungen | 1 | |
| 14 | B010670 | TE Schr. m. Flansch | 1 | |
| 15 | 006716 | O-Ring | 1 | |
| 16 | B010738 | Öleinfüllschraube | 1 | |
| 17 | 882174 | Kettenspanner | 1 | |
| 18 | 414837 | TE Schr. m. Flansch M6x25 | 2 | |
| 19 | 882195 | Kettenspanner Gleitbacke | 1 | |
| 20 | 889842 | Bewegliche Kettenspannerauflage | 1 | |
| 21 | 882194 | Steuerkette | 1 | |

| | |
|---------------------|---------|
| Einheit | Motor |
| Code | 01.15 |
| Beschreibung | Ölpumpe |
| Inspektion | 1 |



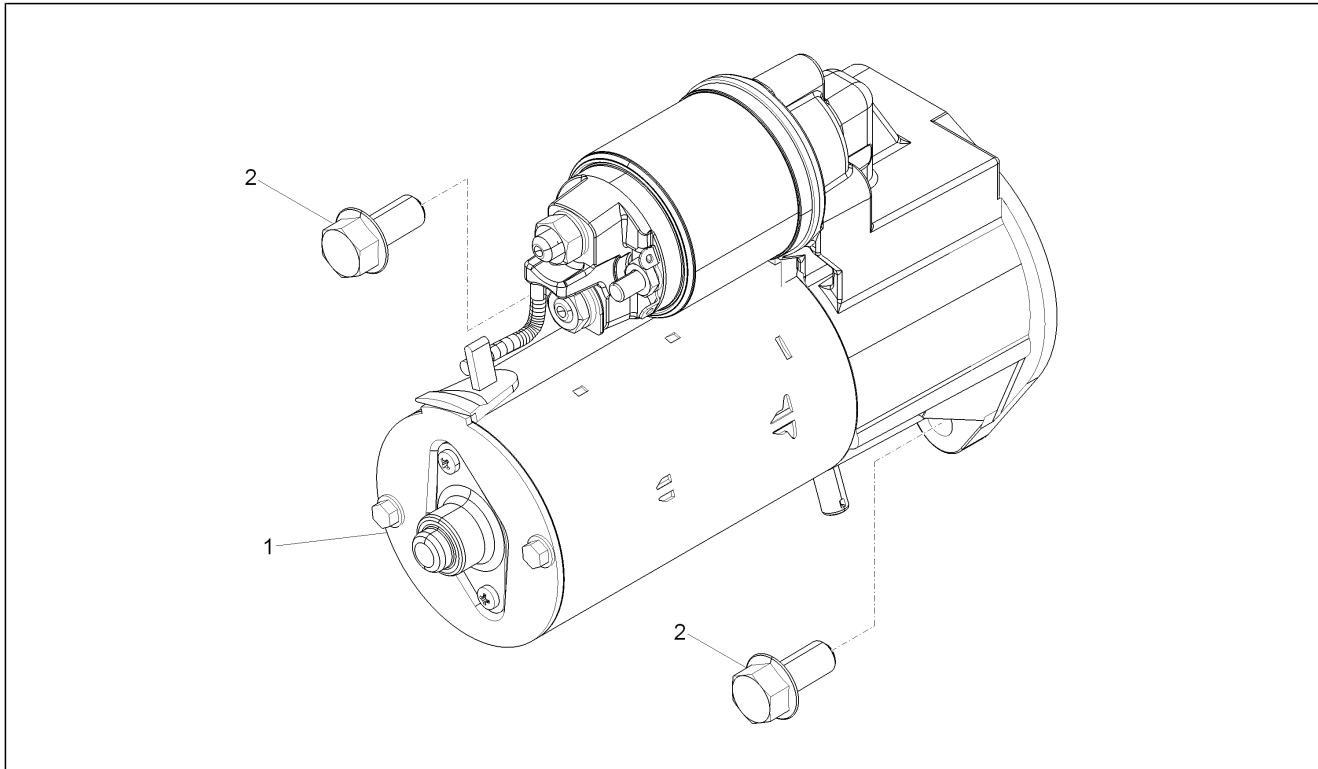
| Pos. | Code | Beschreibung | Menge | Varianten |
|------|--------|---------------------------|-------|-----------|
| 1 | 889544 | Ölpumpe komplett | 1 | |
| 2 | 888680 | O-Ring | 1 | |
| 3 | 414837 | TE Schr. m. Flansch M6x25 | 4 | |

| | |
|---------------------|-------------|
| Einheit | Motor |
| Code | 01.16 |
| Beschreibung | Wasserpumpe |
| Inspektion | 1 |



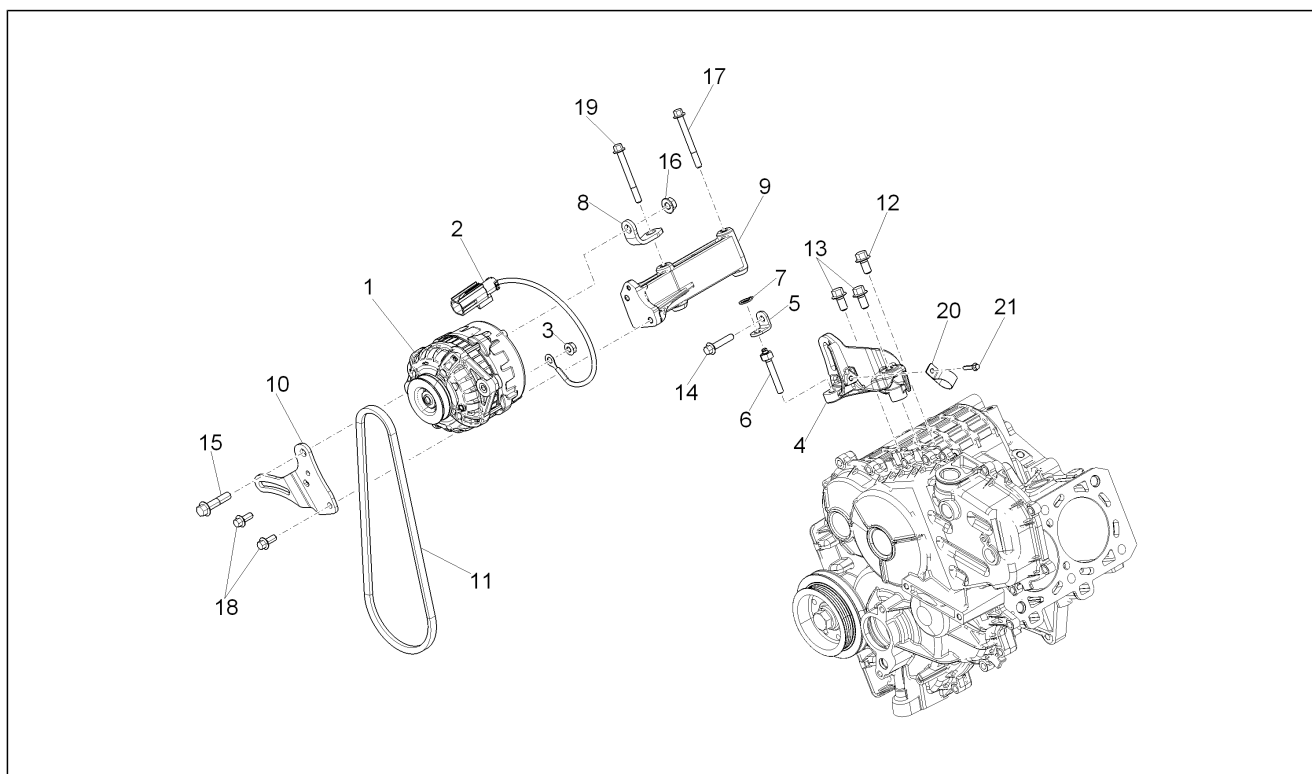
| Pos. | Code | Beschreibung | Menge | Varianten |
|------|----------|----------------------|-------|-----------|
| 1 | B010578 | Wasserpumpe komplett | 1 | |
| 2 | 889956 | Haltestein | 2 | |
| 3 | B010530 | Krümmer | 1 | |
| 4 | B010639 | Dichtung | 1 | |
| 5 | 889470 | Pumpendichtung | 1 | |
| 6 | 828863 | TE Schr. m. Flansch | 6 | |
| 6 | B011784 | TE Schr. m. Flansch | 6 | |
| 7 | CM001906 | Schlauchschelle | 2 | |
| 8 | B010666 | Buchse | 1 | |
| 9 | 655169 | TE Schr. m. Flansch | 1 | |
| 10 | B010663 | Was.schl.aus. | 1 | |

| | |
|---------------------|--------------------------------|
| Einheit | Motor |
| Code | 01.17 |
| Beschreibung | Starter - Elektrischer starter |
| Inspektion | 1 |



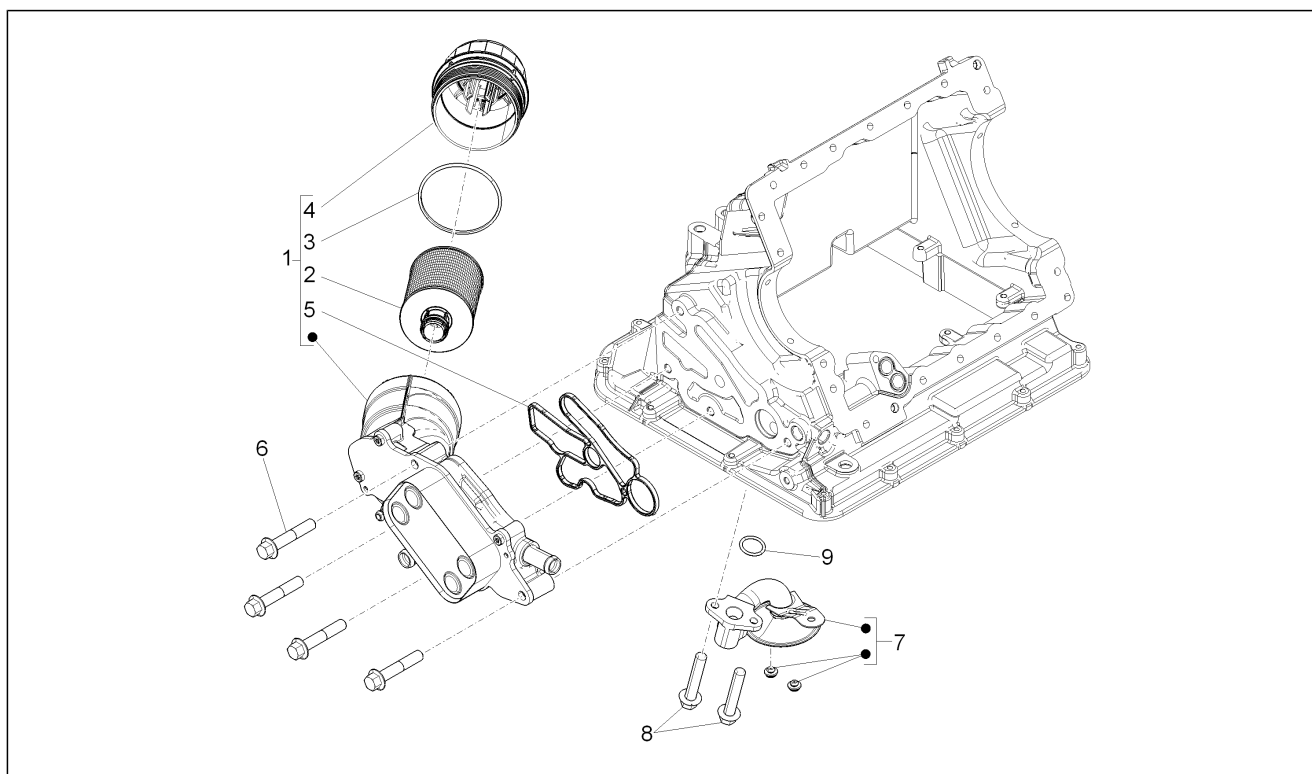
| Pos. | Code | Beschreibung | Menge | Varianten |
|------|---------|---------------------------------|-------|-----------|
| 1 | 888469 | Anlassermotor | 1 | |
| 1 | B011745 | Anlassermotor | 1 | |
| 2 | 889864 | TE Schr. m. Flansch M10x1,25x22 | 2 | |

| | |
|---------------------|---------------|
| Einheit | Motor |
| Code | 01.19 |
| Beschreibung | Lichtmaschine |
| Inspektion | 1 |



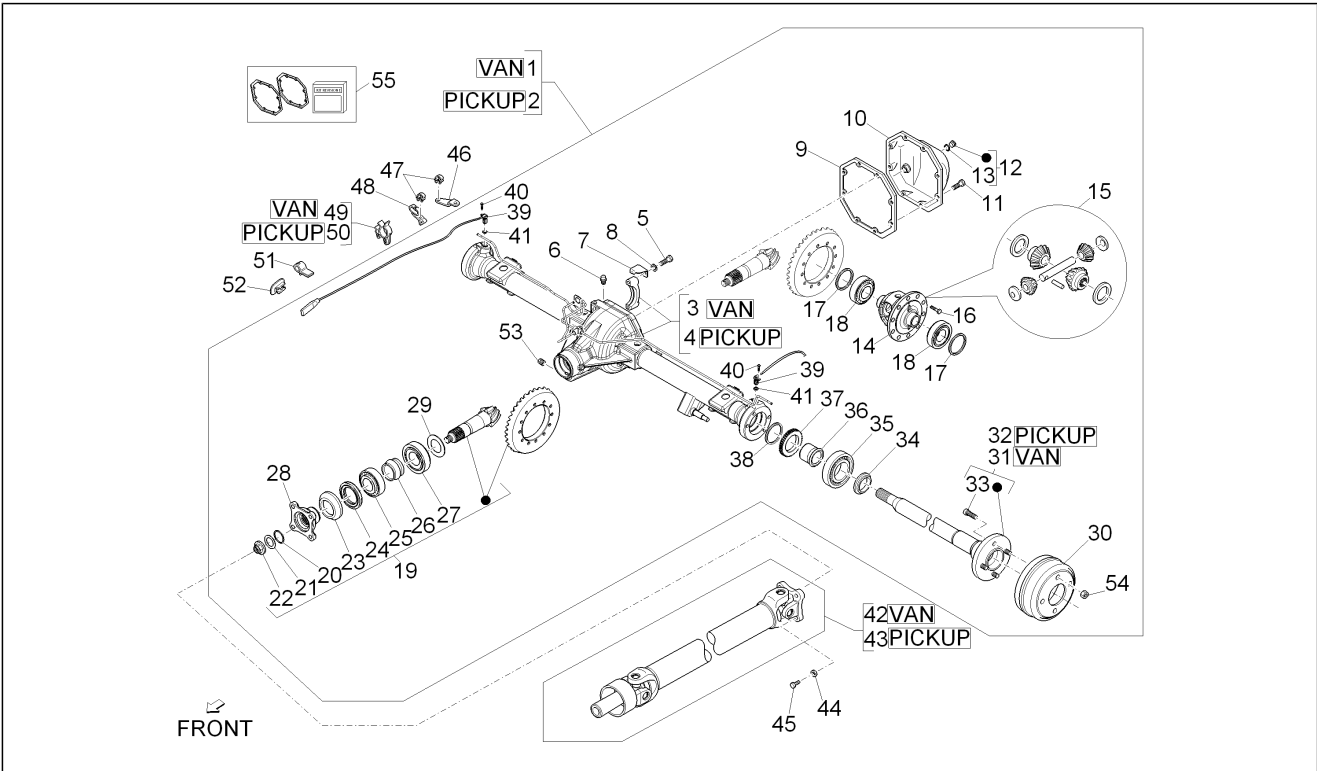
| Pos. | Code | Beschreibung | Menge | Varianten |
|------|---------|--------------------------|-------|-----------|
| 1 | B010780 | Drehstromgenerator 70 A | 1 | |
| 2 | B006120 | Federbügel Lichtmaschine | 1 | |
| 3 | 434078 | Mutter | 1 | |
| 4 | B010783 | Haltebügel Lichtmaschine | 1 | |
| 5 | B010794 | Regelbügel Lichtmaschine | 1 | |
| 6 | B010784 | Einstellschraube | 1 | |
| 7 | 647840 | Welle Sprengring | 1 | |
| 8 | B011133 | Bügel | 1 | |
| 9 | 889997 | Bügel | 1 | |
| 10 | B011087 | Bügel | 1 | |
| 11 | B010777 | Keilriemen | 1 | |
| 12 | B011182 | TE Schr. m. Flansch | 1 | |
| 13 | B011183 | TE Schr. m. Flansch | 2 | |
| 14 | B010921 | TE Schr. m. Flansch | 1 | |
| 15 | B010936 | TE Schr. m. Flansch | 1 | |
| 16 | 889502 | Geflanschte Mutter M10 | 1 | |
| 17 | 848465 | TE Schr. m. Flansch | 1 | |
| 18 | 889637 | TE Schr. m. Flansch | 2 | |
| 19 | B010346 | TE Schr. m. Flansch | 1 | |
| 20 | B011181 | Schelle | 1 | |
| 21 | 959358 | TE Schr. m. Flansch | 1 | |

| | |
|---------------------|---------|
| Einheit | Motor |
| Code | 01.21 |
| Beschreibung | Ölfiler |
| Inspektion | 1 |



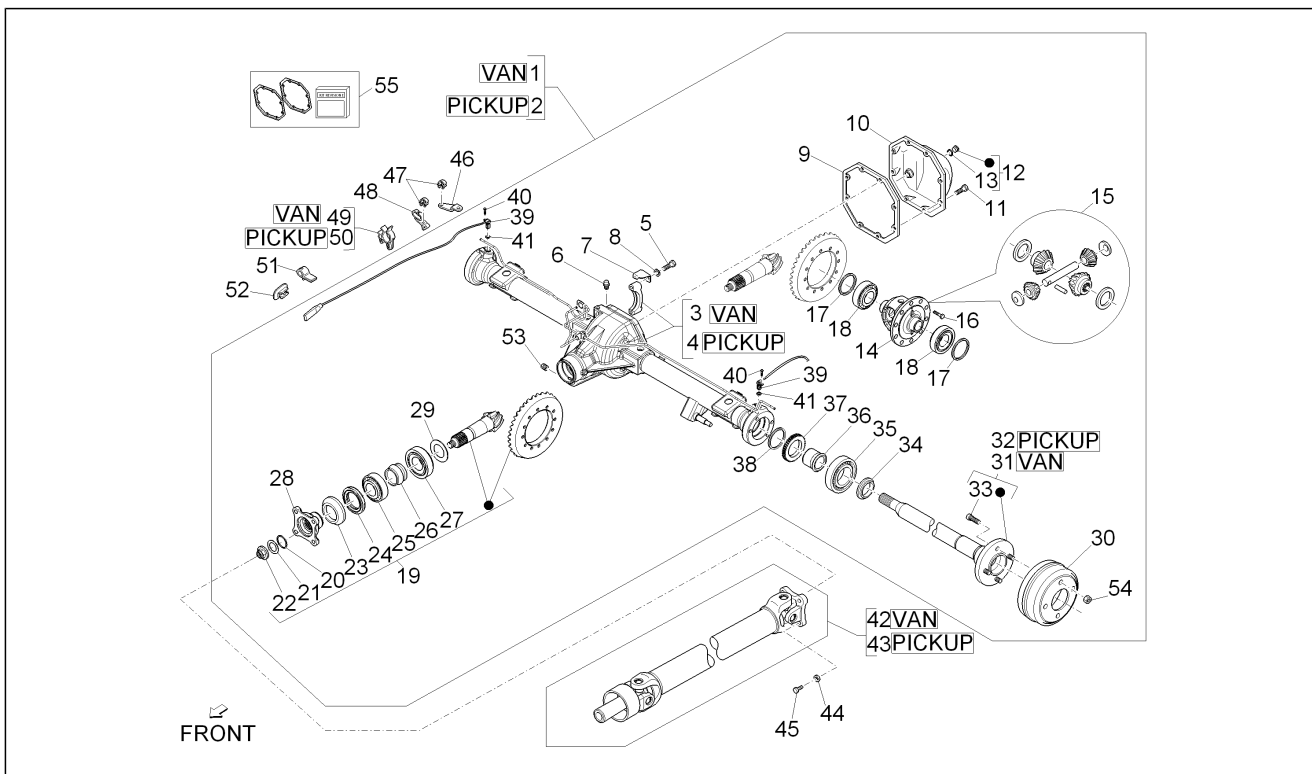
| Pos. | Code | Beschreibung | Menge | Varianten |
|------|---------|----------------------|-------|-----------|
| 1 | 889127 | Ölfiltereinsatz kpl. | 1 | |
| 2 | B011392 | Ölfiltereinsatz | 1 | |
| 3 | B011393 | O-Ring | 1 | |
| 4 | B011394 | Haube | 1 | |
| 5 | B011460 | Filterdichtung | 1 | |
| 6 | 830198 | Schraube M8x50 | 4 | |
| 7 | B011017 | Ölschwimmer komplett | 1 | |
| 8 | 411213 | Schraube | 2 | |
| 9 | 888591 | O-Ring | 1 | |

| | |
|---------------------|--------------------|
| Einheit | Motor |
| Code | 01.25 |
| Beschreibung | Hinterachs Antrieb |
| Inspektion | 1 |



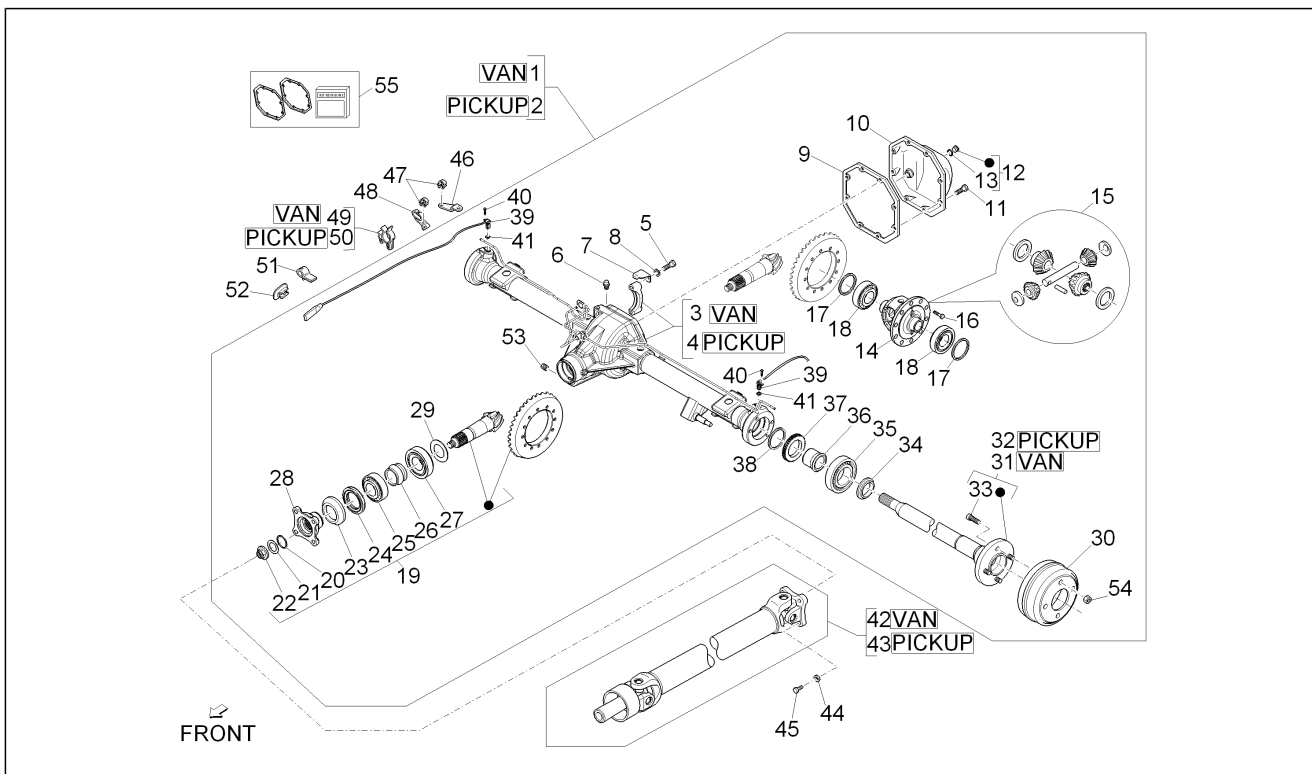
| Pos. | Code | Beschreibung | Menge | Varianten |
|------|---------------|------------------------|-------|---|
| 1 | B004775 | Hinterachse kompl. | 1 | Technische Spezifikation: Kastenwagen[VAN] |
| 2 | B004770 | Hinterachse kompl. | 1 | Technische Spezifikation: Alle Pick-up-Versionen[PICKUP] |
| 3 | 837225 | Achskörper | 1 | Technische Spezifikation: Kastenwagen[VAN] |
| 4 | 837212 | Achskörper | 1 | Technische Spezifikation: Alle Pick-up-Versionen[PICKUP] |
| 5 | 9004101607000 | Schraubbolzen | 4 | |
| 6 | 9004915043000 | Entl ³ fter | 1 | |
| 7 | 4131687Z01000 | Blockierblech | 2 | |
| 8 | 837109 | Flachscheibe | 1 | |
| 9 | 837161 | Dichtung | 1 | |
| 10 | 837163 | Achsenabdeckung | 1 | |
| 11 | 9004101609000 | Schraubbolzen | 8 | |
| 12 | 493434 | Stutzenset | 8 | |
| 13 | 493435 | O-Ring | 8 | |
| 14 | 837179 | Differentialerkasten | 1 | |
| 15 | 0441387Z01000 | Satz Zahnräder | 1 | |
| 16 | 9004109212000 | Schraubbolzen | 10 | |
| 17 | 837123 | Scheibe mm 5,5 | 2 | |
| 17 | 837124 | Scheibe mm 5,6 | 2 | |
| 17 | 837125 | Scheibe mm 5,7 | 2 | |
| 17 | 837126 | Scheibe mm 5,8 | 2 | |
| 17 | 9004564518000 | Scheibe 5,1 mm | 2 | |
| 17 | 9004564519000 | Scheibe 5,2 mm | 2 | |
| 17 | 9004564520000 | Scheibe 5,3 mm | 2 | |
| 17 | 9004564521000 | Scheibe 5,4 mm | 2 | |
| 17 | 9004564526000 | Scheibe 5,9 mm | 2 | |
| 17 | 9004564527000 | Scheibe 6,0 mm | 2 | |
| 18 | 9004366066000 | Lager | 2 | |
| 19 | 837218 | Teilerradsatz kit | 1 | |

| | |
|---------------------|-------------------|
| Einheit | Motor |
| Code | 01.25 |
| Beschreibung | Hinterachsantrieb |
| Inspektion | 1 |



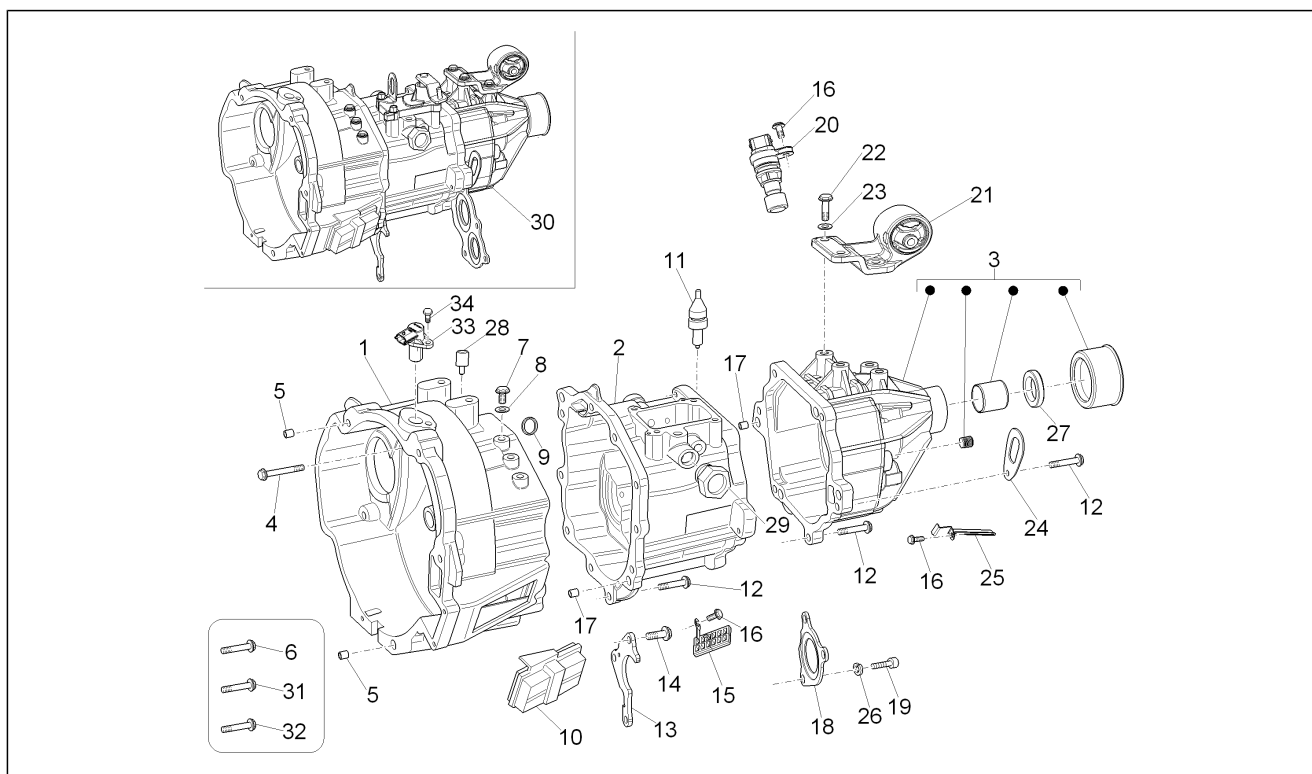
| Pos. | Code | Beschreibung | Menge | Varianten |
|------|---------------|----------------------|-------|---|
| 20 | 9004301252000 | O-Ring | 1 | |
| 21 | 9004201724000 | Anlaufscheibe | 1 | |
| 22 | 9004178044000 | Mutter M18x1,5 | 1 | |
| 23 | 4125287Z01000 | Staubschutz | 1 | |
| 24 | 9004311330000 | Gasket ring | 1 | |
| 25 | 9004366065000 | Lager | 1 | |
| 26 | 4123187Z01000 | Distanzscheibe | 1 | |
| 27 | 9004366067000 | Lager | 1 | |
| 28 | 837219 | Flansch | 1 | |
| 29 | 9004564508000 | Scheibe 2,5 mm | 1 | |
| 29 | 9004564509000 | Scheibe 2,6 mm | 1 | |
| 29 | 9004564510000 | Scheibe 2,7 mm | 1 | |
| 29 | 9004564511000 | Scheibe 2,8 mm | 1 | |
| 29 | 9004564512000 | Scheibe 2,9 mm | 1 | |
| 29 | 9004564513000 | Scheibe 3,0 mm | 1 | |
| 29 | 9004564514000 | Scheibe 3,1 mm | 1 | |
| 29 | 9004564515000 | Scheibe 3,2 mm | 1 | |
| 29 | 9004564516000 | Scheibe 3,3 mm | 1 | |
| 29 | 9004564517000 | Scheibe 3,4 mm | 1 | |
| 30 | 4243187Z03000 | Hintere Bremstrommel | 2 | |
| 31 | 837174 | Achswelle L=618 | 1 | Technische Spezifikation: Kastenwagen[VAN] |
| 32 | 837175 | Achswelle L=668 | 1 | Technische Spezifikation: Alle Pick-up-Versionen[PICKUP] |
| 33 | 9004912054000 | Bolzen radnabe | 8 | |
| 34 | 4232987Z01000 | Distanzscheibe | 2 | |
| 35 | 9004363243000 | Radialkugellager | 2 | |
| 36 | 837162 | Buchse | 2 | |
| 37 | 837171 | Phonic wheel | 2 | |
| 38 | 837220 | Gasket ring | 2 | |

| | |
|---------------------|-------------------|
| Einheit | Motor |
| Code | 01.25 |
| Beschreibung | Hinterachsantrieb |
| Inspektion | 1 |



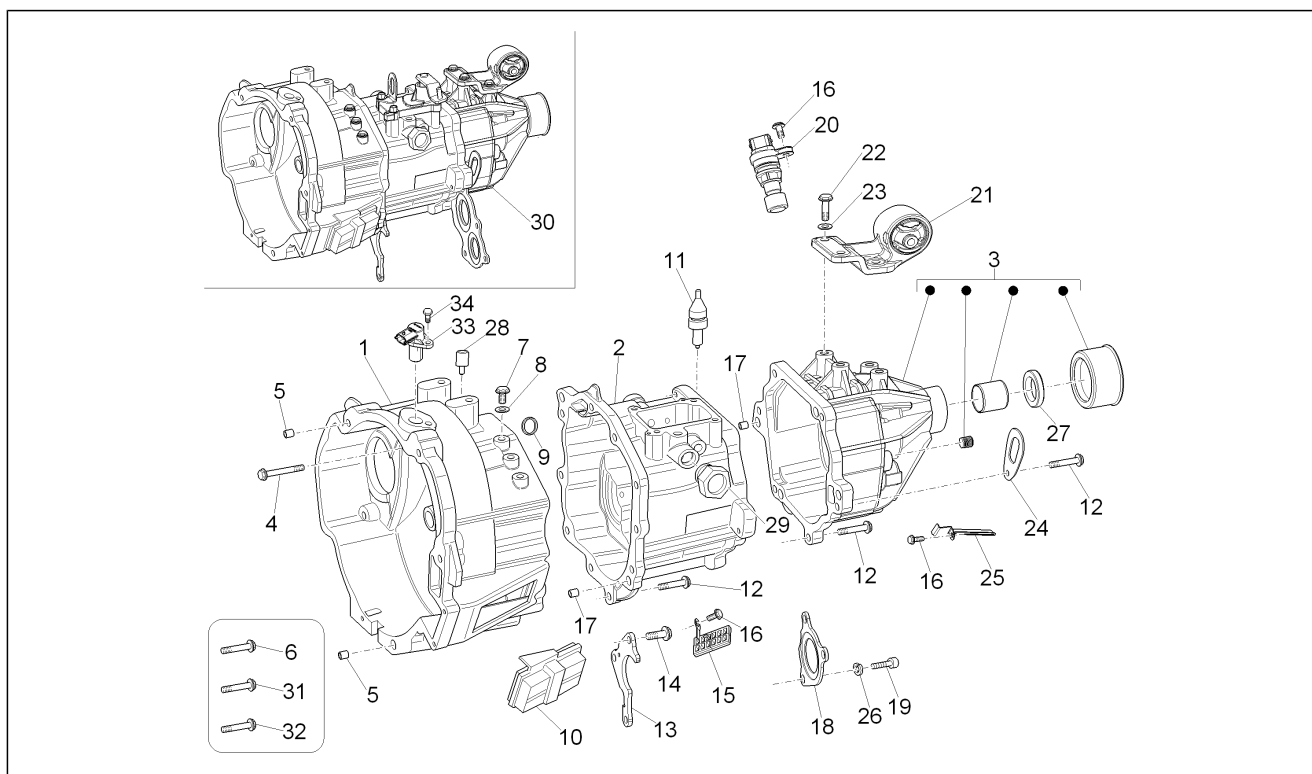
| Pos. | Code | Beschreibung | Menge | Varianten |
|------|---------------|------------------------------|-------|---|
| 39 | B000526 | Hinterer ABS-Sensor | 2 | |
| 40 | 837158 | Sechskantschraube | 2 | |
| 41 | 837159 | Ring | 2 | |
| 42 | CM038105 | Getriebe | 1 | Technische Spezifikation: Kastenwagen[VAN] |
| 43 | CM038106 | Getriebe | 1 | Technische Spezifikation: Alle Pick-up-Versionen[PICKUP] |
| 44 | 9451201000000 | Onduflex u.scheibe | 4 | |
| 45 | 264451 | Sechskantschraube | 4 | |
| 46 | B005349 | Winkel | 2 | |
| 46 | 1E001446 | Haltebügel ABS-Kabel rechts | 1 | |
| 46 | 1E001516 | Haltebügel ABS-Kabel links | 1 | |
| 47 | 191002 | Kleine Feder | 4 | |
| 48 | B005350 | Kabelhalterung hinten rechts | 1 | |
| 49 | B005868 | Kleine Feder | 2 | Technische Spezifikation: Kastenwagen[VAN] |
| 50 | B005867 | Kleine Feder | 2 | Technische Spezifikation: Alle Pick-up-Versionen[PICKUP] |
| 51 | B005030 | Schelle | 2 | |
| 52 | B005629 | Molletta | 2 | |
| 53 | 9004341070000 | Deckel | 1 | |
| 54 | 837221 | Mutter | 2 | |
| 55 | 850667 | Servicekit Hinterachse | 1 | |

| | |
|---------------------|-----------------|
| Einheit | Motor |
| Code | 01.26 |
| Beschreibung | Getriebegehäuse |
| Inspektion | 1 |



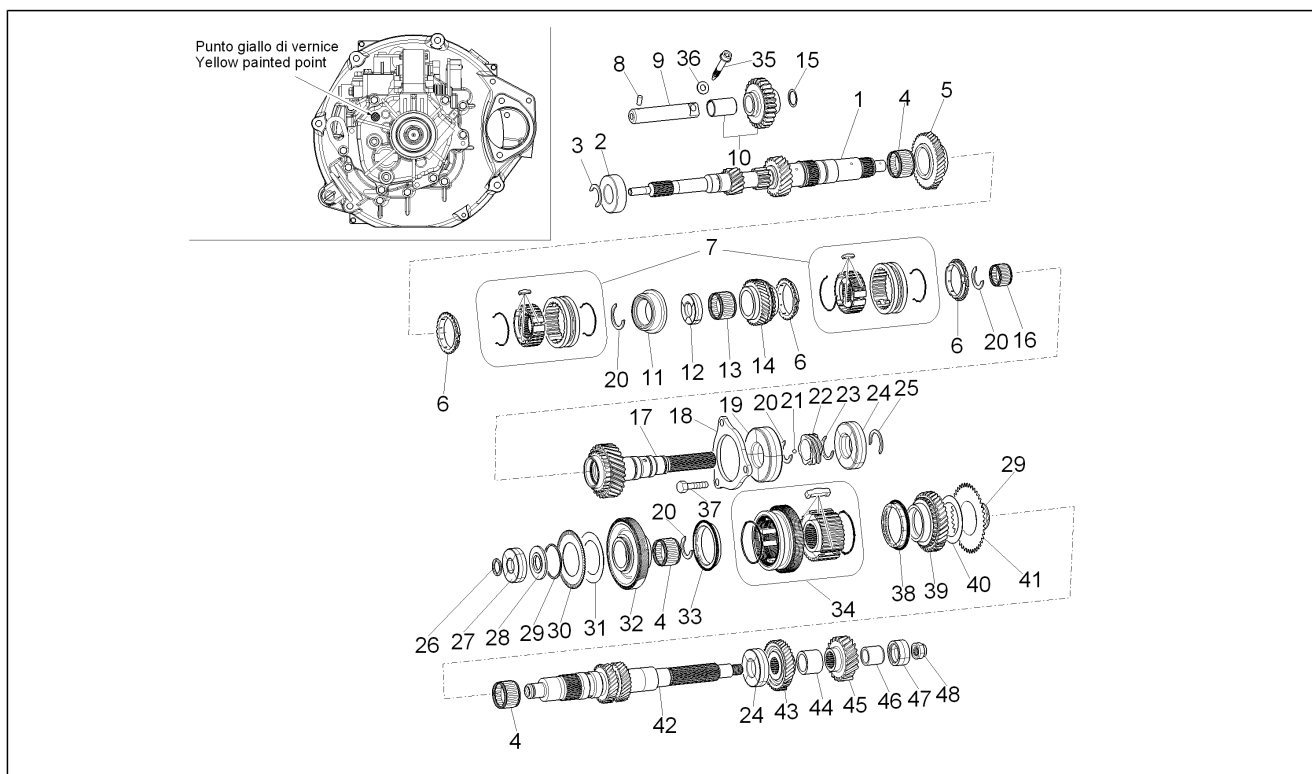
| Pos. | Code | Beschreibung | Menge | Varianten |
|------|---------|--|-------|-----------|
| 1 | B010254 | Kupplungsglocke | 1 | |
| 2 | B010267 | Getriebegehäuse | 1 | |
| 3 | 850656 | Getriebegehäusedeckel | 1 | |
| 4 | B010265 | TE Schr. m. Flansch | 2 | |
| 5 | 133238 | Haltestein | 2 | |
| 6 | 825692 | Schraube | 1 | |
| 7 | B010258 | TE Schr. m. Flansch M10x20 | 3 | |
| 8 | B010259 | Flachscheibe | 3 | |
| 9 | B010256 | Gasket ring | 1 | |
| 10 | B010257 | Gummistopfen Staubschutzring | 1 | |
| 11 | B010274 | Rückwärtsgangsensor | 1 | |
| 12 | B010266 | TE Schr. m. Flansch M8x35 | 14 | |
| 13 | B010262 | Lagerhalteplatte | 1 | |
| 14 | B010263 | Sechskantschraube M8x20 | 3 | |
| 15 | B010269 | Magnet | 1 | |
| 16 | B010270 | Sechskantschraube | 3 | |
| 17 | B010268 | Haltestein | 4 | |
| 18 | B010271 | Lagerhalteplatte | 1 | |
| 19 | B010272 | TCEI Schraube M8x20 | 5 | |
| 20 | B010278 | Geschwindigkeitssensor für Kilometerzähler | 1 | |
| 21 | B010280 | Haltebügel Getriebe | 1 | |
| 22 | B010281 | Sechskantschraube M10x30 | 4 | |
| 23 | B010282 | Flachscheibe | 4 | |
| 24 | B010708 | Bügel | 1 | |
| 25 | B010277 | Platte | 1 | |
| 26 | B010273 | Ausgleichscheibe | 5 | |
| 27 | B010284 | Gasket ring | 1 | |
| 28 | B010255 | Entlüftung | 1 | |

| | |
|---------------------|-----------------|
| Einheit | Motor |
| Code | 01.26 |
| Beschreibung | Getriebegehäuse |
| Inspektion | 1 |



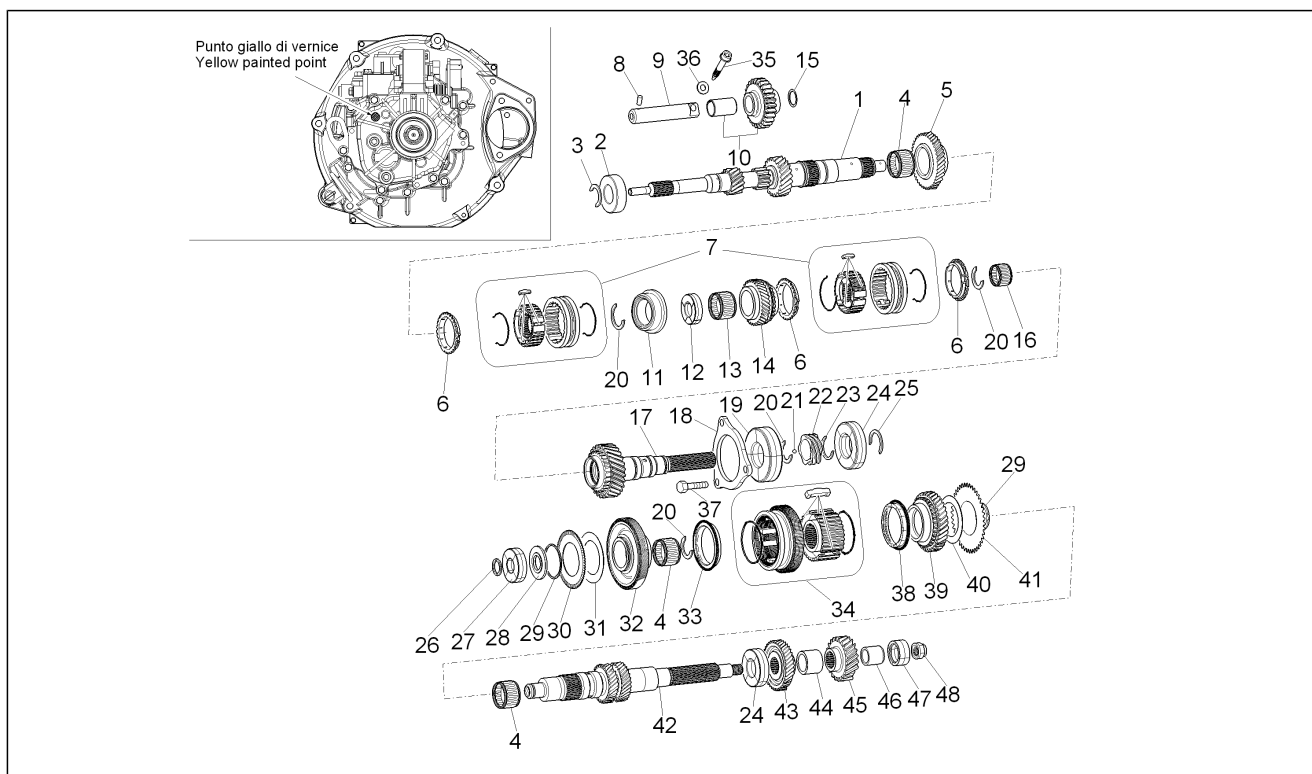
| Pos. | Code | Beschreibung | Menge | Varianten |
|------|---------|-------------------------|-------|-----------|
| 29 | B010275 | Verschlußschraube | 1 | |
| 30 | 889592 | Getriebe komplett | 1 | |
| 31 | 828566 | Sechskantschraube m8x90 | 2 | |
| 32 | 888894 | TE Schr. m. Flansch M10 | 4 | |
| 33 | 888501 | Motordrehzahlsensor | 1 | |
| 34 | 018639 | Sechskantschraube M6x20 | 1 | |

| | |
|---------------------|----------------|
| Einheit | Motor |
| Code | 01.27 |
| Beschreibung | Schaltgetriebe |
| Inspektion | 1 |



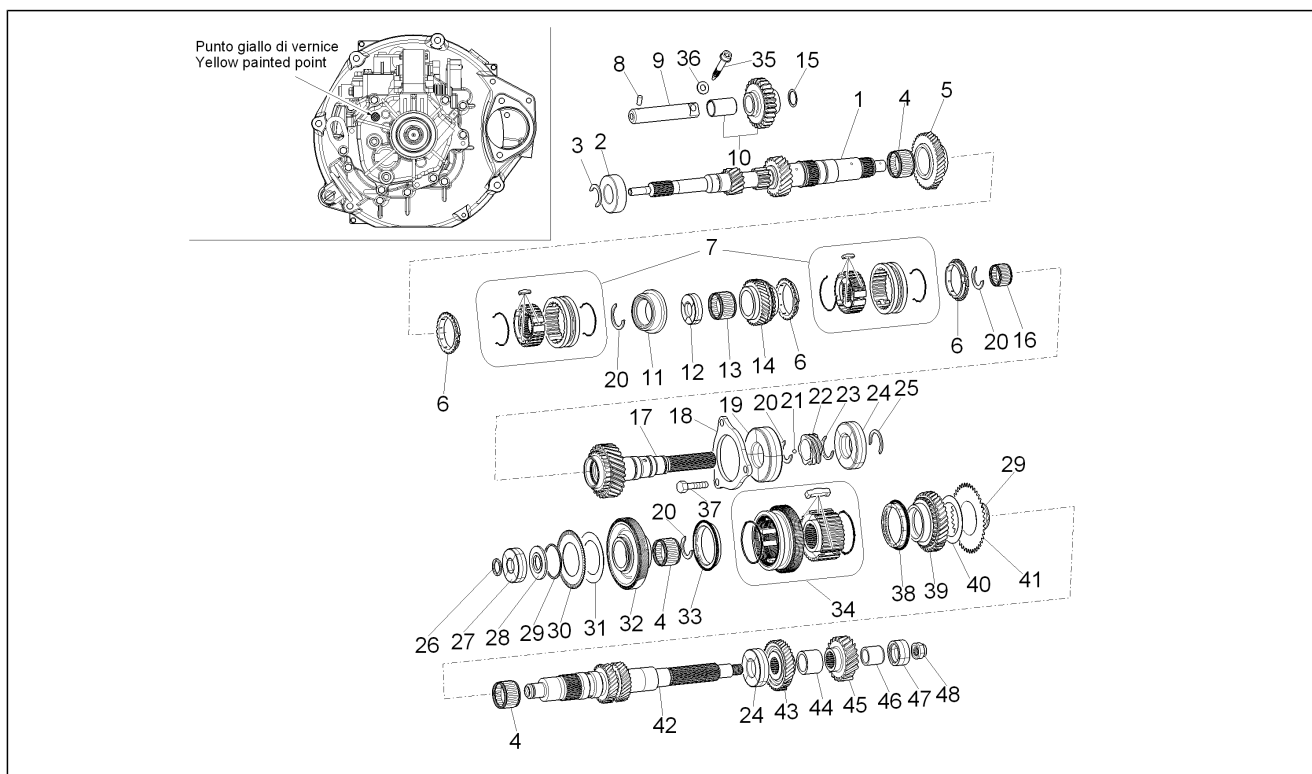
| Pos. | Code | Beschreibung | Menge | Varianten |
|------|---------------|---------------------------------|-------|---|
| 1 | B010295 | Vorgelegewelle | 1 | |
| 2 | B010296 | Kugellager | 1 | |
| 2 | B011528 | Kugellager | 1 | Technische Spezifikation: Gültig für Getriebe, die mit einem gelben Lackpunkt gekennzeichnet sind, wie auf der Abbildung gezeigt wird / Valid for gearbox marked with yellow painted point as shown on figure[YEL] |
| 3 | B010297 | Sprengring | 1 | |
| 4 | B010298 | Nadelkaefig | 3 | |
| 5 | B010299 | Antriebszahnrad 5 Übersetzungen | 1 | |
| 6 | B010300 | Synchronring nr.1 | 3 | |
| 6 | B011561 | Synchronring nr.1 | 3 | |
| 6 | 3336787507000 | Synchronring nr.1 | 3 | Technische Spezifikation: Gültig für Getriebe, die mit einem gelben Lackpunkt gekennzeichnet sind, wie auf der Abbildung gezeigt wird / Valid for gearbox marked with yellow painted point as shown on figure[YEL] |
| 7 | B010929 | Schaltgruppe hohe Gänge | 1 | |
| 8 | B010457 | Bolzen | 1 | |
| 9 | B010458 | Welle für Rückwärtsgang | 1 | |
| 10 | B010459 | Vorgelegewelle Rückwärtsgang | 1 | |
| 11 | B010306 | Distanzscheibe | 2 | |
| 12 | B010307 | Kugellager | 1 | |
| 13 | B010308 | Nadelkaefig | 1 | |
| 14 | B010309 | Antriebszahnrad 3 Übersetzungen | 1 | |
| 15 | B010462 | Flachscheibe | 1 | |
| 16 | B010311 | Nadelkaefig | 1 | |
| 17 | B010312 | Abtriebswelle | 1 | |
| 18 | B010313 | Lagerhalteplatte | 1 | |
| 19 | B010314 | Kugellager | 1 | |
| 20 | B010315 | Sperring | 3 | |

| | |
|---------------------|----------------|
| Einheit | Motor |
| Code | 01.27 |
| Beschreibung | Schaltgetriebe |
| Inspektion | 1 |



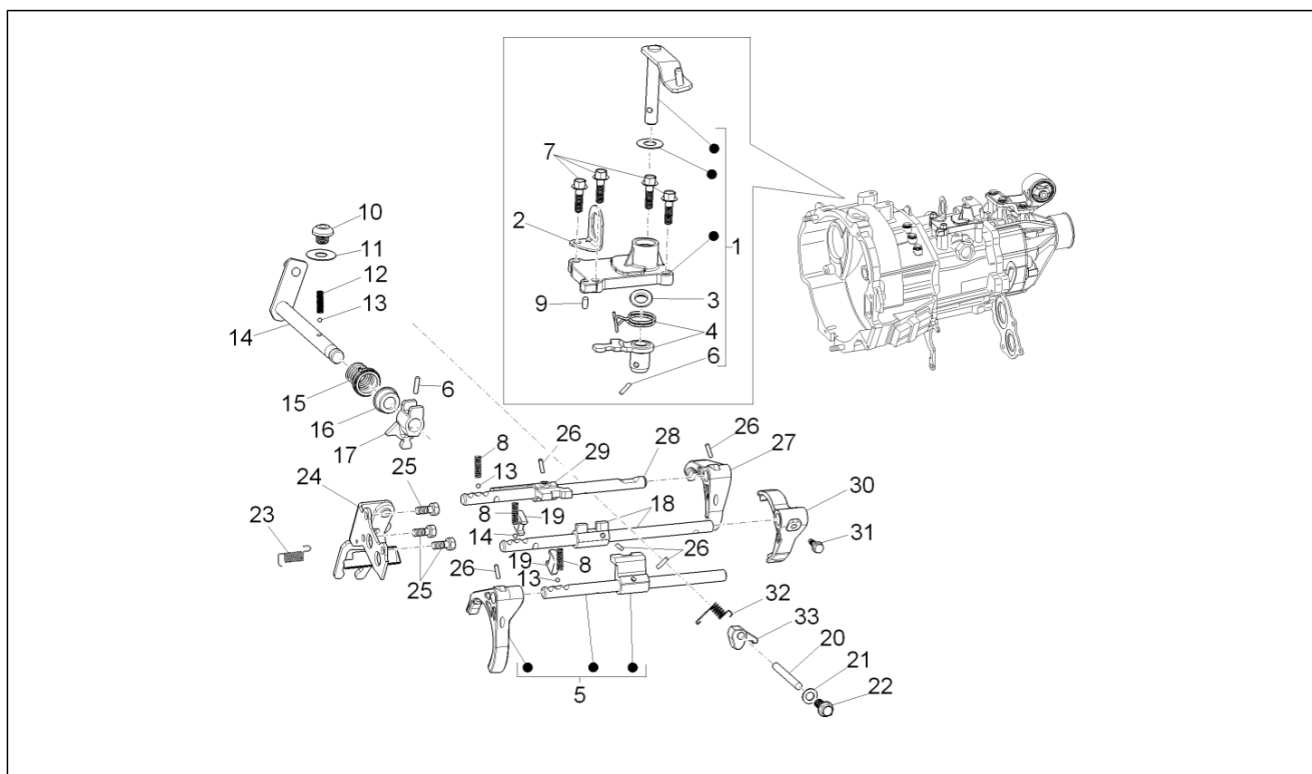
| Pos. | Code | Beschreibung | Menge | Varianten |
|------|---------------|--|-------|---|
| 21 | B010316 | Kugel | 1 | |
| 22 | B010317 | Antriebsrad für Geschwindigkeitssensor | 1 | |
| 23 | B010318 | Sprengring | 1 | |
| 24 | B010319 | Kugellager | 2 | |
| 25 | B010320 | Sprengring | 1 | |
| 26 | B010322 | Sprengring | 1 | |
| 27 | B010323 | Kugellager | 1 | |
| 28 | B010324 | Ölumlener | 1 | |
| 29 | B010325 | Sprengring | 2 | |
| 30 | B010326 | Ölumlener | 1 | |
| 31 | B010327 | Tellerfeder | 1 | |
| 32 | B010328 | Angetriebenes Zahnrad 1. Gang | 1 | |
| 33 | B010329 | Synchronring nr.1 | 1 | |
| 34 | B010930 | Schaltgruppe niedrige Gänge | 1 | |
| 35 | B010463 | TCEI Schraube | 1 | |
| 36 | B010464 | Flachscheibe | 1 | |
| 37 | B011083 | Sechskantschraube M8x20 | 3 | |
| 38 | 3336987503000 | Synchronring nr.3 | 1 | Technische Spezifikation: Gültig für Getriebe, die mit einem gelben Lackpunkt gekennzeichnet sind, wie auf der Abbildung gezeigt wird / Valid for gearbox marked with yellow painted point as shown on figure[YEL] |
| 38 | B010334 | Synchronring nr.2 | 1 | |
| 38 | B011560 | Synchronring 2. Gang | 1 | |
| 39 | B010335 | Angetriebenes Zahnrad 2. Gang | 1 | |
| 40 | B010336 | Tellerfeder | 1 | |
| 41 | B010337 | Ölumlener | 1 | |
| 42 | B010338 | Festrud | 1 | |
| 43 | B010451 | Angetriebenes Zahnrad 3. Gang | 1 | |
| 44 | B010452 | Distanzscheibe | 1 | |

| | |
|---------------------|----------------|
| Einheit | Motor |
| Code | 01.27 |
| Beschreibung | Schaltgetriebe |
| Inspektion | 1 |



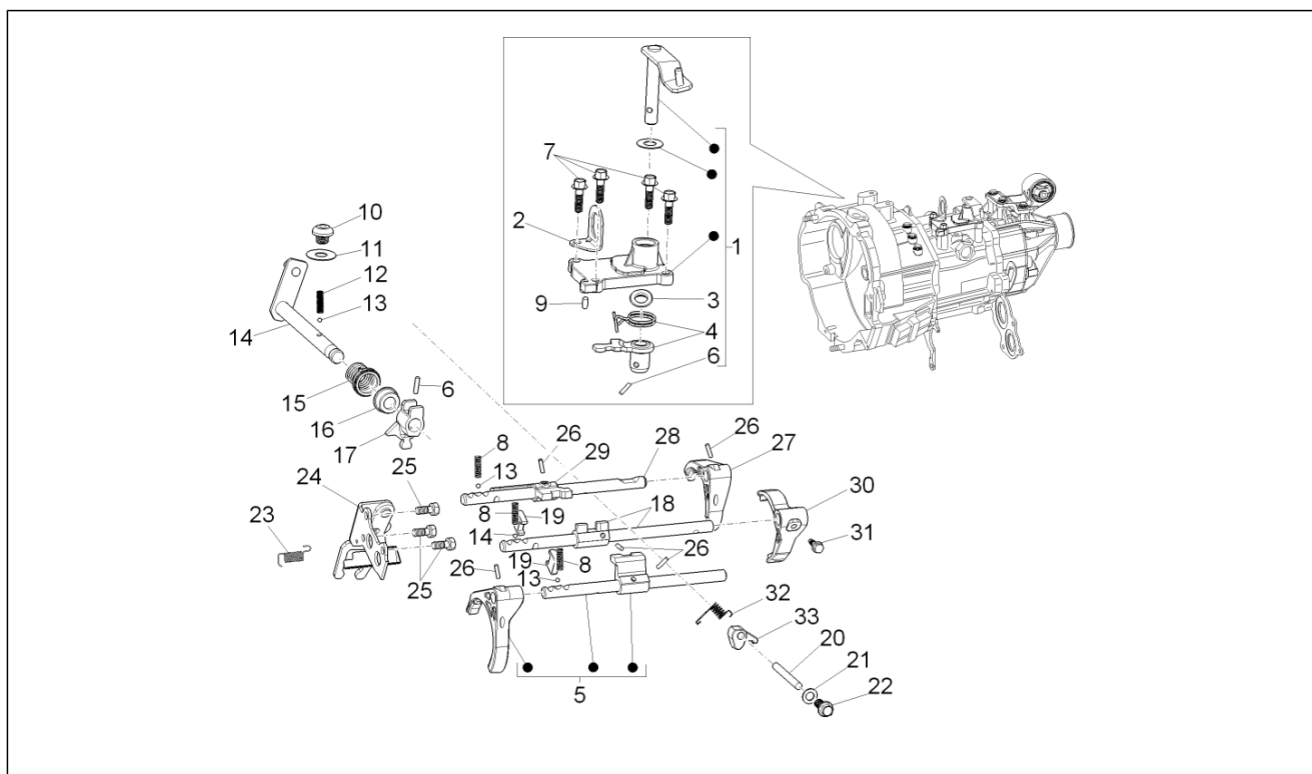
| Pos. | Code | Beschreibung | Menge | Varianten |
|------|---------|--------------------|-------|-----------|
| 45 | B010453 | Zahnrad | 1 | |
| 46 | B010454 | Buchse | 1 | |
| 47 | B010951 | Nadelkaefig | 1 | |
| 47 | B011529 | Nadelkaefig | 1 | |
| 48 | B010456 | Mutter | 1 | |
| 49 | B010330 | Feder Synchronring | 1 | |
| 49 | B011527 | Feder Synchronring | 1 | |

| | |
|---------------------|-------------|
| Einheit | Motor |
| Code | 01.28 |
| Beschreibung | Schalthebel |
| Inspektion | 1 |



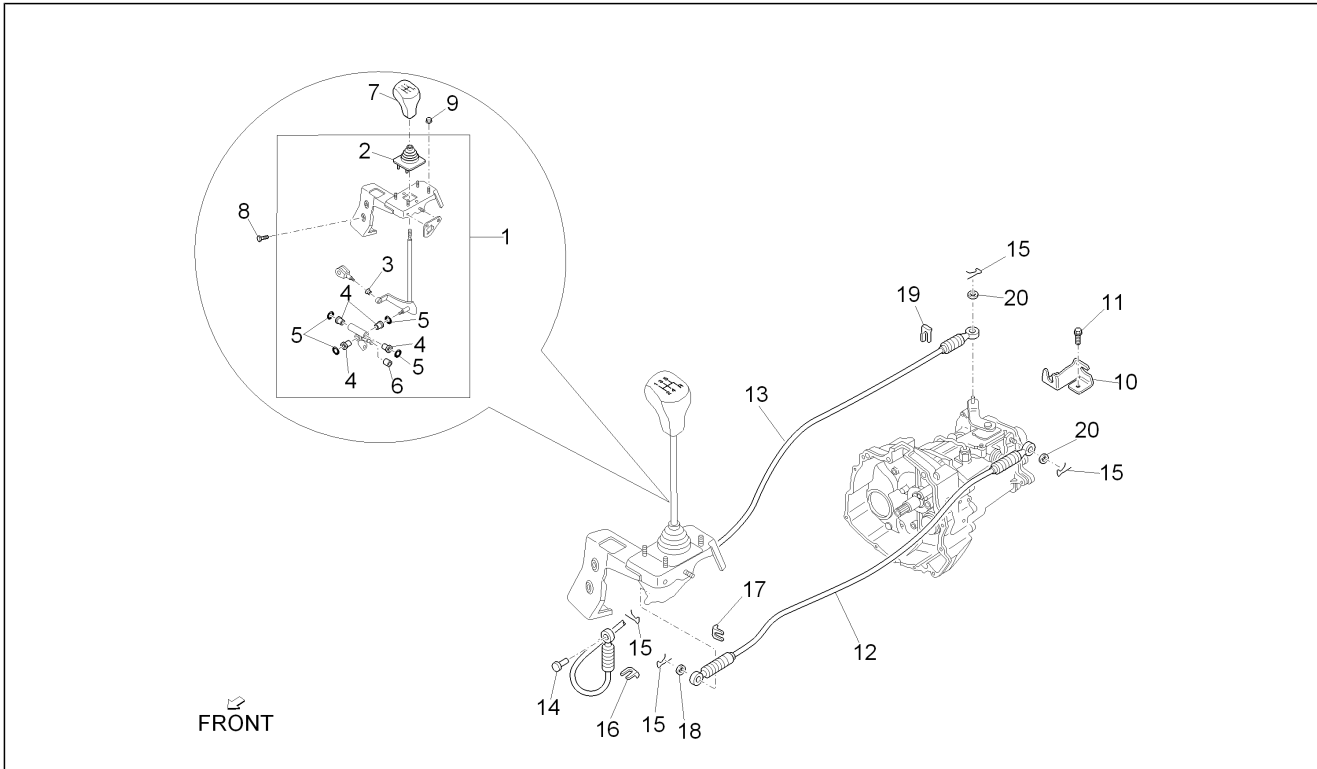
| Pos. | Code | Beschreibung | Menge | Varianten |
|------|---------|-----------------------------------|-------|-----------|
| 1 | B010467 | Geschwindigkeit antrieb abdeckung | 1 | |
| 1 | 850653 | Wähler | 1 | |
| 2 | B010474 | Bügel | 1 | |
| 3 | B010468 | Gasket ring | 1 | |
| 4 | B010933 | Hebel Schaltwelle | 1 | |
| 5 | B010931 | ZSB Betätigung 1.-2. Gang | 1 | |
| 6 | B010471 | Bolzen | 2 | |
| 7 | B010473 | Sechskantschraube | 4 | |
| 8 | B010492 | Gangwahlfeder | 1 | |
| 9 | B010472 | Haltestein | 2 | |
| 10 | B010475 | TBEI Schraube | 1 | |
| 11 | B010476 | Flachscheibe | 1 | |
| 12 | B010477 | Gangwahlfeder | 1 | |
| 13 | B010478 | Kugel | 4 | |
| 14 | B010479 | Externer Einrückhebel | 1 | |
| 15 | B010480 | Haube | 1 | |
| 16 | B010481 | Gasket ring | 1 | |
| 17 | B010482 | Interner Einrückhebel | 1 | |
| 18 | B010932 | ZSB Betätigung 3.-4. Gang | 1 | |
| 19 | B010499 | Einsatz | 2 | |
| 20 | B010485 | Bolzen | 1 | |
| 21 | B010486 | Flachscheibe | 1 | |
| 22 | B010487 | TE Schr. m. Flansch | 1 | |
| 23 | B010505 | Feder | 1 | |
| 24 | B010506 | Betätigungshebel Rückwärtsgang | 1 | |
| 25 | B010263 | Sechskantschraube M8x20 | 3 | |
| 26 | B010488 | Bolzen | 5 | |
| 27 | B010500 | Gabel V-R Gang | 1 | |

| | |
|---------------------|-------------|
| Einheit | Motor |
| Code | 01.28 |
| Beschreibung | Schalthebel |
| Inspektion | 1 |



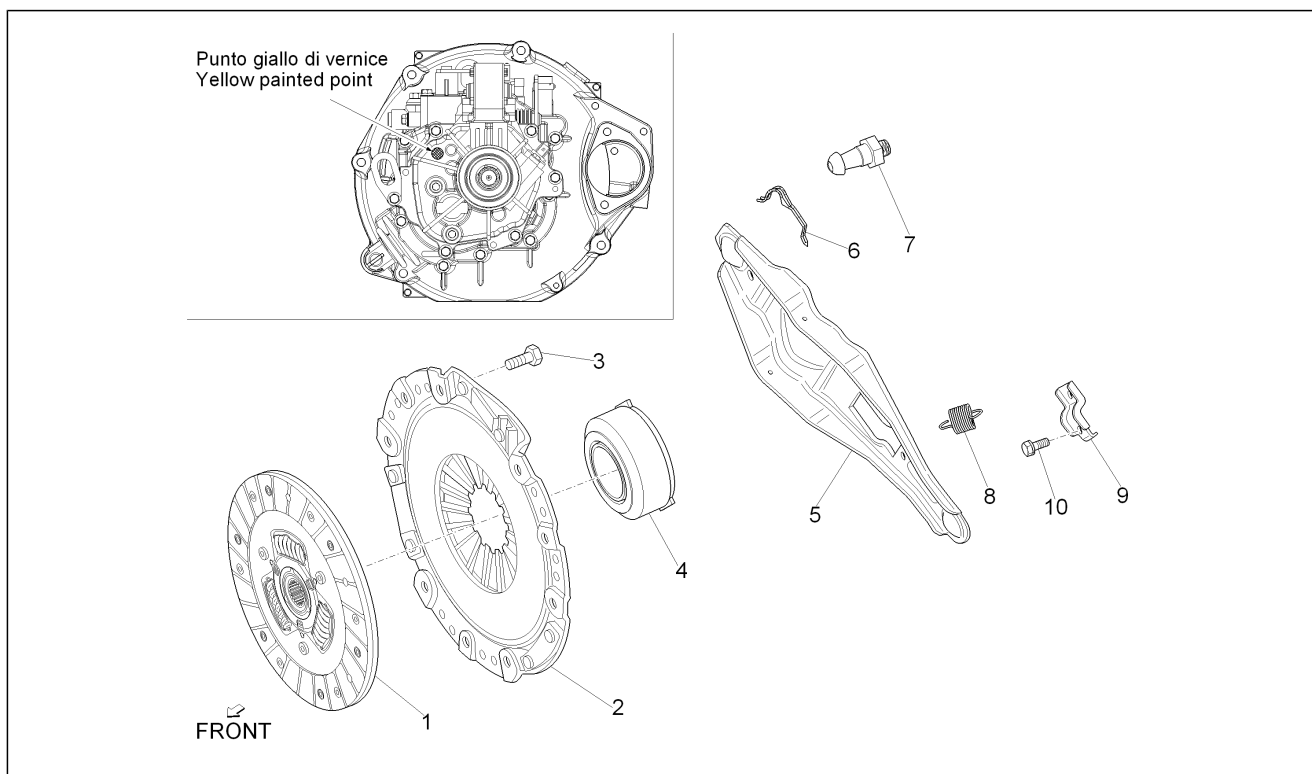
| Pos. | Code | Beschreibung | Menge | Varianten |
|------|---------|---------------------------------|-------|-----------|
| 28 | B010501 | Regelstange | 1 | |
| 29 | B010502 | Gabel V | 1 | |
| 30 | B010493 | Gabel 3.-4. Gang | 1 | |
| 31 | B010496 | TE Schr. m. Flansch | 1 | |
| 32 | B010483 | Sicherungsfeder | 1 | |
| 33 | B010484 | Schutzvorrichtung Rückwärtsgang | 1 | |

| | |
|---------------------|------------------------|
| Einheit | Motor |
| Code | 01.29 |
| Beschreibung | Interne Schaltsegmente |
| Inspektion | 1 |



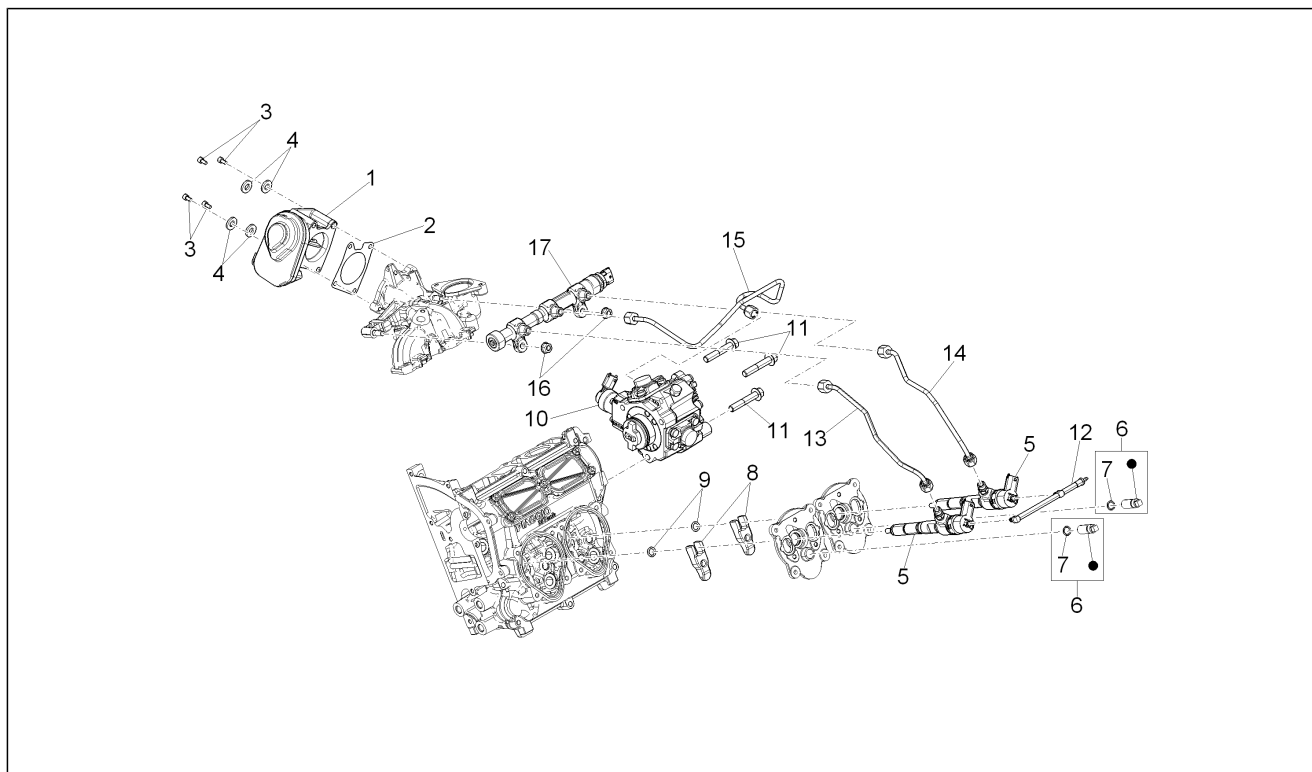
| Pos. | Code | Beschreibung | Menge | Varianten |
|------|---------------|---------------------------|-------|-----------|
| 1 | B007293 | Schalthebel | 1 | |
| 2 | 3355587Z02000 | Staubschutz schaltknüppel | 1 | |
| 3 | 3354887Z01000 | Buchse | 2 | |
| 4 | 9004386116000 | Buchse | 4 | |
| 5 | 9671119014000 | O-Ring 17,6x13,8 | 4 | |
| 6 | 9004386117000 | Buchse | 1 | |
| 7 | B004453 | Knauf schalthebel | 1 | |
| 8 | D9166140612 | Schraubbolzen | 2 | |
| 9 | 261322 | Mutter | 4 | |
| 10 | B005273 | Haltebügel Seilzüge | 1 | |
| 11 | D9161160818 | TE Schr. m. Flansch | 3 | |
| 12 | B007249 | Schaltzug (Einrücken) | 1 | |
| 13 | B005381 | Schaltzug (Auswahl) | 1 | |
| 14 | D9004243017 | Bolzen | 1 | |
| 15 | B005054 | Klammer | 4 | |
| 16 | B005053 | Schelle | 1 | |
| 17 | B005056 | Schelle | 1 | |
| 18 | D9461410800 | Flachscheibe | 2 | |
| 19 | B005055 | Schelle | 2 | |
| 20 | D9461110800 | Flachscheibe | 1 | |

| | |
|---------------------|----------|
| Einheit | Motor |
| Code | 01.30 |
| Beschreibung | Kupplung |
| Inspektion | 1 |



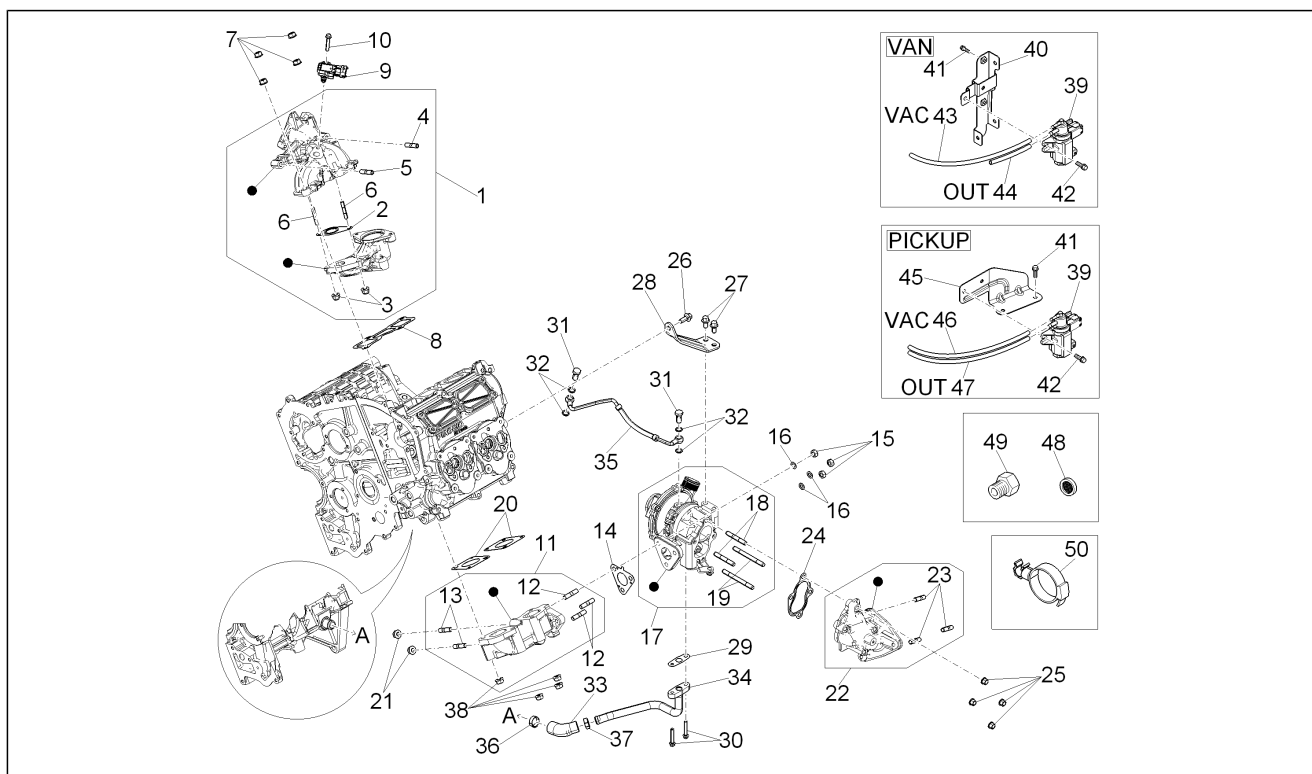
| Pos. | Code | Beschreibung | Menge | Varianten |
|------|---------|--------------------|-------|---|
| 1 | 889904 | Kupplungsscheibe | 1 | |
| 2 | 889903 | Andrückfeder | 1 | |
| 3 | 888490 | Spezialschraube | 6 | |
| 4 | 888485 | Lager Druckscheibe | 1 | |
| 5 | B010709 | Druckhebel | 1 | |
| 5 | B011530 | Druckhebel | 1 | Technische Spezifikation: Gültig für Getriebe, die mit einem gelben Lackpunkt gekennzeichnet sind, wie auf der Abbildung gezeigt wird / Valid for gearbox marked with yellow painted point as shown on figure[YEL] |
| 6 | B010288 | Kleine Feder | 1 | |
| 7 | B010287 | Spezialschraube | 1 | |
| 8 | B010294 | Feder | 1 | |
| 9 | B010716 | Federrastbügel | 1 | |
| 10 | B010270 | Sechskantschraube | 1 | |

| | |
|---------------------|----------------------------------|
| Einheit | Motor |
| Code | 01.32 |
| Beschreibung | Drosselkörper und Einspritzdüsen |
| Inspektion | 1 |



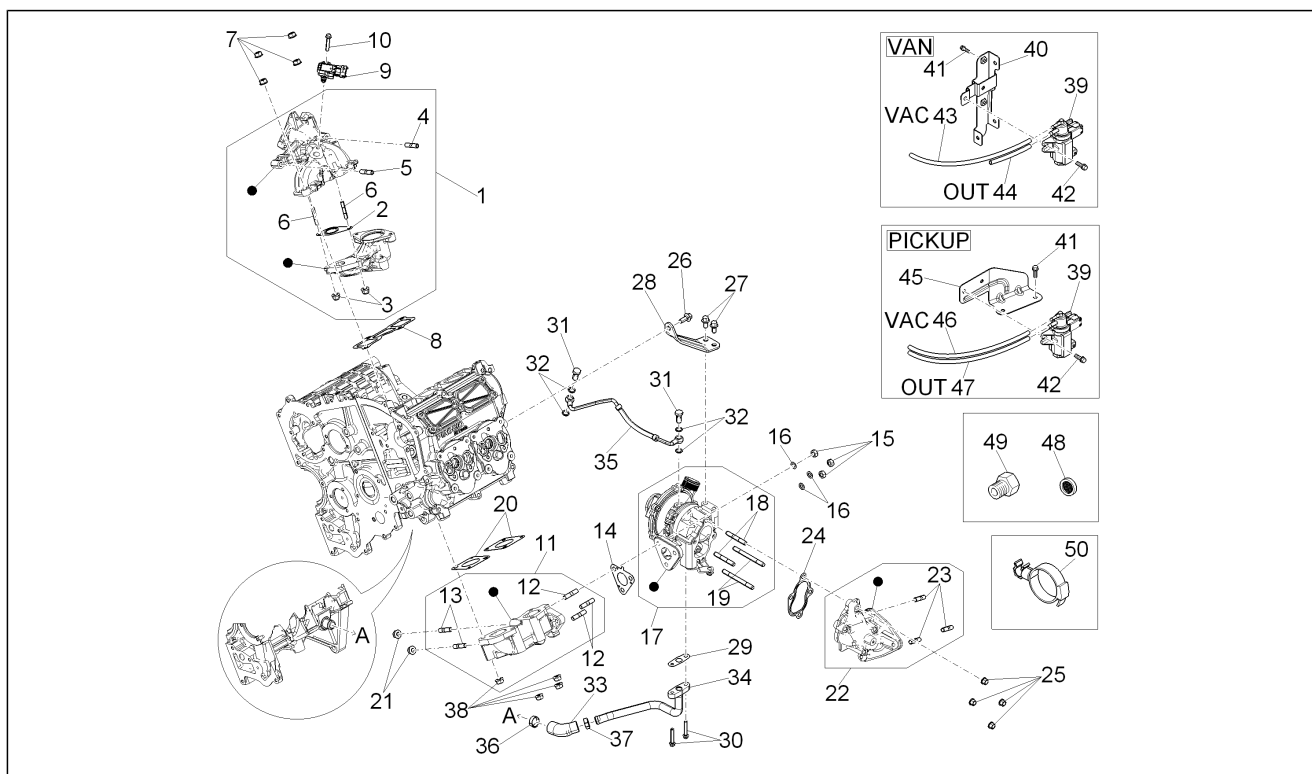
| Pos. | Code | Beschreibung | Menge | Varianten |
|------|---------|---------------------------|-------|-----------|
| 1 | 882510 | Klappenkörper (Ditech) | 1 | |
| 2 | 889181 | Dichtung | 1 | |
| 3 | 598775 | TCEI Schraube | 4 | |
| 4 | 016676 | Flachscheibe | 4 | |
| 5 | 889478 | - | 2 | |
| 6 | 889706 | Mutter kompl. | 2 | |
| 7 | 843186 | O-Ring | 2 | |
| 8 | B010677 | Kipphebel | 2 | |
| 9 | 857176 | O-Ring | 2 | |
| 9 | B012189 | O-Ring | 2 | |
| 10 | 889642 | Hochdruckpumpe | 1 | |
| 11 | 487211 | TE Schr. m. Flansch M8x45 | 3 | |
| 12 | 882277 | Schlauch | 1 | |
| 13 | 888942 | Hochdruck Leitung | 1 | |
| 14 | 888943 | Hochdruck Leitung | 1 | |
| 15 | 889603 | Hochdruck Leitung | 1 | |
| 16 | 434078 | Mutter | 2 | |
| 17 | 889472 | Rail komplett | 1 | |

| | |
|---------------------|-----------------------------|
| Einheit | Motor |
| Code | 01.33 |
| Beschreibung | Einlass- und Auslassstutzen |
| Inspektion | 1 |



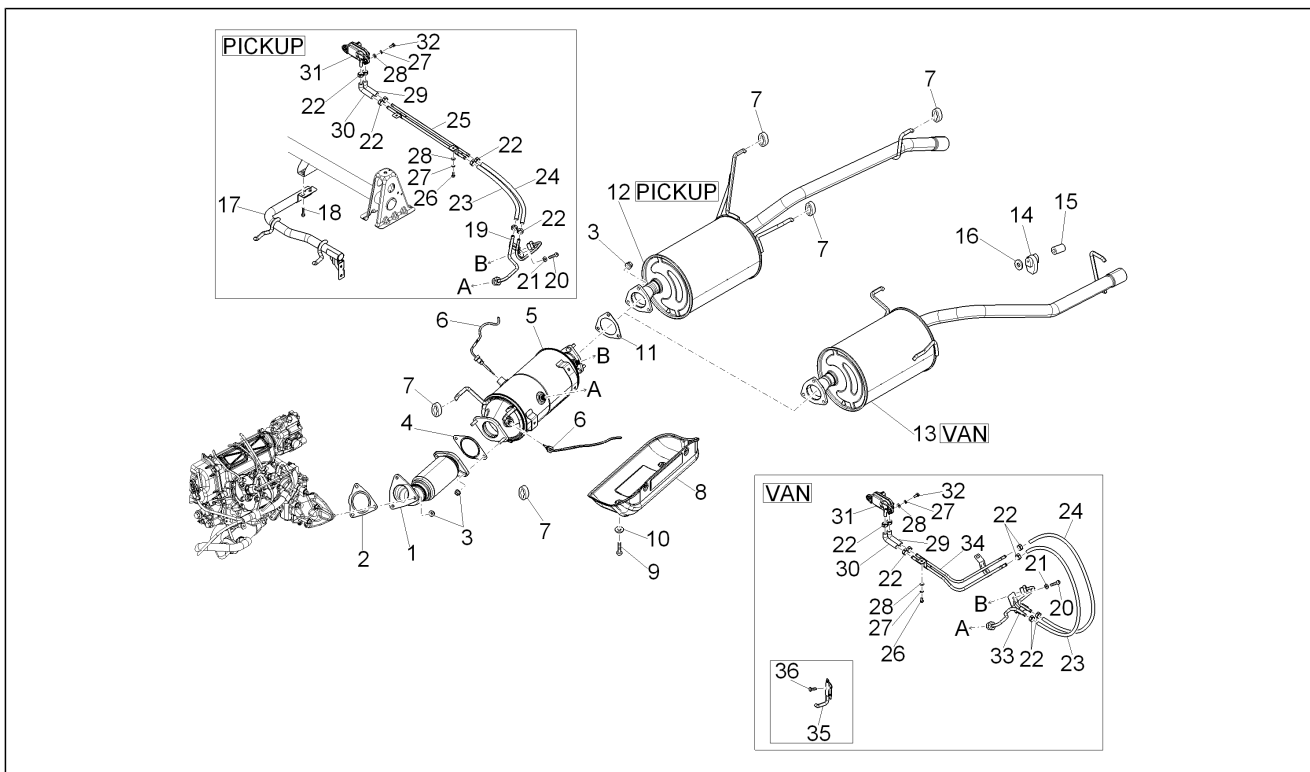
| Pos. | Code | Beschreibung | Menge | Varianten |
|------|---------|---------------------------------|-------|-----------|
| 1 | B010720 | Ansaugkrümmer | 1 | |
| 2 | B010734 | Dichtung | 1 | |
| 3 | 288245 | Mutter, selbstsichernd M6 | 2 | |
| 4 | 003972 | Stiftschraube | 1 | |
| 5 | 484706 | Stiftschraube | 1 | |
| 6 | B010699 | Stiftschraube | 2 | |
| 7 | 434078 | Mutter | 4 | |
| 8 | 889158 | Dichtung | 1 | |
| 9 | 889463 | Druck- und Lufttemperatursensor | 1 | |
| 10 | 018639 | Sechskantschraube M6x20 | 1 | |
| 11 | B011350 | Auslasskrümmer | 1 | |
| 12 | B011250 | Stiftschraube | 3 | |
| 13 | B010773 | Stiftschraube | 2 | |
| 14 | B011033 | Dichtung | 1 | |
| 15 | B010563 | Mutter, selbstsichernd | 3 | |
| 16 | 847183 | Ausgleichscheibe | 3 | |
| 17 | B011386 | Turbine komplett | 1 | |
| 18 | 889895 | Stiftschraube | 2 | |
| 19 | 889896 | Stiftschraube | 2 | |
| 20 | 889820 | Dichtung | 2 | |
| 21 | 434078 | Mutter | 2 | |
| 22 | B004420 | Auslasskrümmer | 1 | |
| 23 | 000456 | Stiftschraube | 3 | |
| 24 | 660559 | Dichtung | 1 | |
| 25 | 615769 | Mutter | 4 | |
| 26 | 889637 | TE Schr. m. Flansch | 1 | |
| 27 | B010725 | TE Schr. m. Flansch | 2 | |
| 28 | 889710 | Haltebügel | 1 | |

| | |
|---------------------|-----------------------------|
| Einheit | Motor |
| Code | 01.33 |
| Beschreibung | Einlass- und Auslassstutzen |
| Inspektion | 1 |



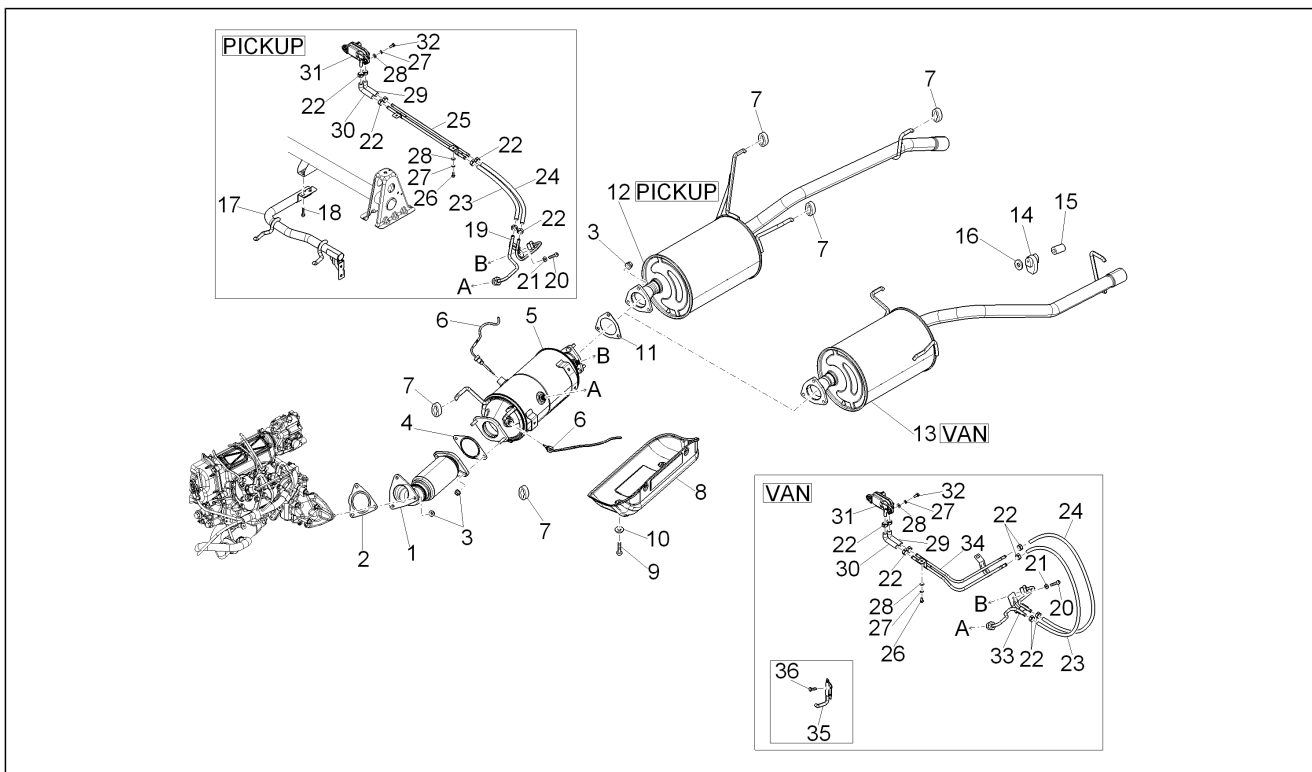
| Pos. | Code | Beschreibung | Menge | Varianten |
|------|-------------|-------------------------|-------|---|
| 29 | 882605 | Dichtung | 1 | |
| 30 | 018639 | Sechskantschraube M6x20 | 2 | |
| 31 | 888791 | Lochschaube | 2 | |
| 32 | 882611 | U.scheibe | 4 | |
| 33 | B011308 | Ölleitung | 1 | |
| 34 | B010412 | Ölleitung | 1 | |
| 35 | B010786 | Ölleitung | 1 | |
| 36 | CM001906 | Schlauchschelle | 1 | |
| 37 | CM001907 | Schlauchschelle | 1 | |
| 38 | 434078 | Mutter | 4 | |
| 39 | B007346 | Druckmodulator | 1 | |
| 40 | B007638 | Halterbügel | 1 | Technische Spezifikation: Kastenwagen[VAN] |
| 41 | D9165140616 | Sechskantschraube | 2 | |
| 42 | D9165140612 | Sechskantschraube | 2 | |
| 43 | B023178 | Schlauch VAC | 1 | Technische Spezifikation: Kastenwagen[VAN] |
| 44 | B023179 | Schlauch OUT | 1 | Technische Spezifikation: Kastenwagen[VAN] |
| 45 | B006144 | Bügel | 1 | Technische Spezifikation: Alle Pick-up-Versionen[PICKUP] |
| 46 | B023242 | Schlauch VAC | 1 | Technische Spezifikation: Alle Pick-up-Versionen[PICKUP] |
| 47 | B023241 | Schlauch OUT | 1 | Technische Spezifikation: Alle Pick-up-Versionen[PICKUP] |
| 48 | B011226 | Ölfiltersatz | 1 | |
| 49 | B011227 | Übersetzung | 1 | |
| 50 | B023056 | Schlauchschelle | 1 | |

| | |
|---------------------|-------------|
| Einheit | Motor |
| Code | 01.37 |
| Beschreibung | Auspufftopf |
| Inspektion | 1 |



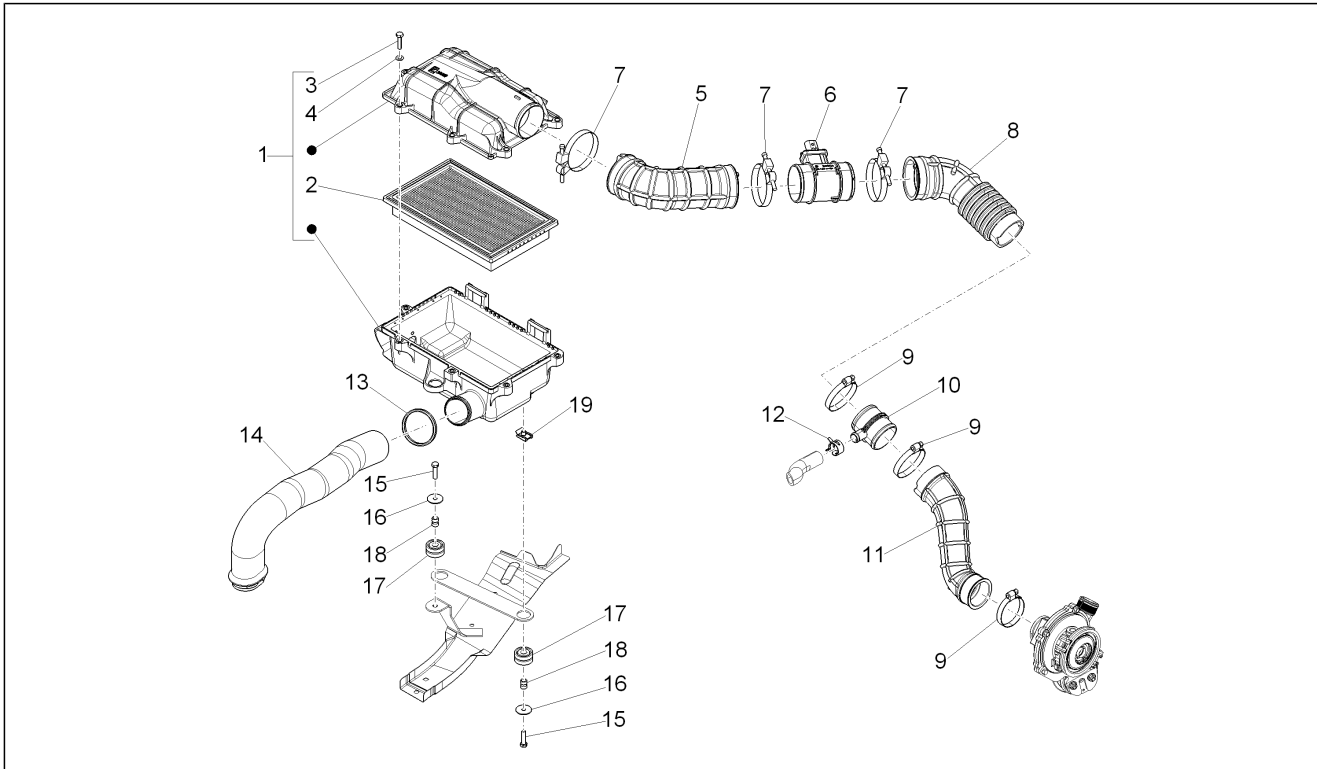
| Pos. | Code | Beschreibung | Menge | Varianten |
|------|---------------|-------------------------------|-------|---|
| 1 | B007423 | Tubo scarico anteriore | 1 | |
| 2 | B004734 | Auspuffdichtung | 1 | |
| 3 | 015341 | Geflanschte Mutter | 8 | |
| 4 | B007316 | Auspuffdichtung | 1 | |
| 5 | B007434 | Umformer komplett | 1 | |
| 6 | B005438 | Temperatursensor Katalysator | 2 | |
| 7 | 1756787Z03000 | Auspuffrohrhalter | 7 | |
| 8 | B005441 | Wärmeschutz | 1 | |
| 9 | 658848 | Schraube TBCEI M6x12 | 4 | |
| 10 | 834951 | Kegelscheibe | 4 | |
| 11 | B004417 | Auspuffdichtung | 1 | |
| 12 | B007428 | Schalldämpfer | 1 | Technische Spezifikation: Alle Pick-up-Versionen[PICKUP] |
| 13 | B007425 | Schalldämpfer | 1 | Technische Spezifikation: Kastenwagen[VAN] |
| 14 | D1755387Z01 | Auspuffisolation | 1 | Technische Spezifikation: Kastenwagen[VAN] |
| 15 | 9004560227000 | Distanzscheibe | 1 | Technische Spezifikation: Kastenwagen[VAN] |
| 16 | D9004209129 | Unterlegscheibe | 1 | Technische Spezifikation: Kastenwagen[VAN] |
| 17 | B005828 | Halterung Umformer | 1 | Technische Spezifikation: Alle Pick-up-Versionen[PICKUP] |
| 18 | D9165160618 | Flanschschraube | 4 | Technische Spezifikation: Alle Pick-up-Versionen[PICKUP] |
| 19 | B004196 | Druckmessleitungen | 4 | Technische Spezifikation: Alle Pick-up-Versionen[PICKUP] |
| 20 | 658848 | Schraube TBCEI M6x12 | 1 | |
| 21 | 834951 | Kegelscheibe | 1 | |
| 22 | CM001914 | Schlauchschele | 8 | |
| 23 | B007899 | Schlauch | 1 | |
| 24 | B007900 | Schlauch | 1 | |
| 25 | B004197 | Druckmessleitungen | 1 | Technische Spezifikation: Alle Pick-up-Versionen[PICKUP] |
| 26 | 031056 | Schraube M5x12 | 2 | |
| 27 | 006078 | Flachscheibe 12x5.2x1 | 4 | |
| 28 | 006975 | Ausgleichscheibe Ø5,3xØ10x0,5 | 4 | |

| | |
|---------------------|-------------|
| Einheit | Motor |
| Code | 01.37 |
| Beschreibung | Auspufftopf |
| Inspektion | 1 |



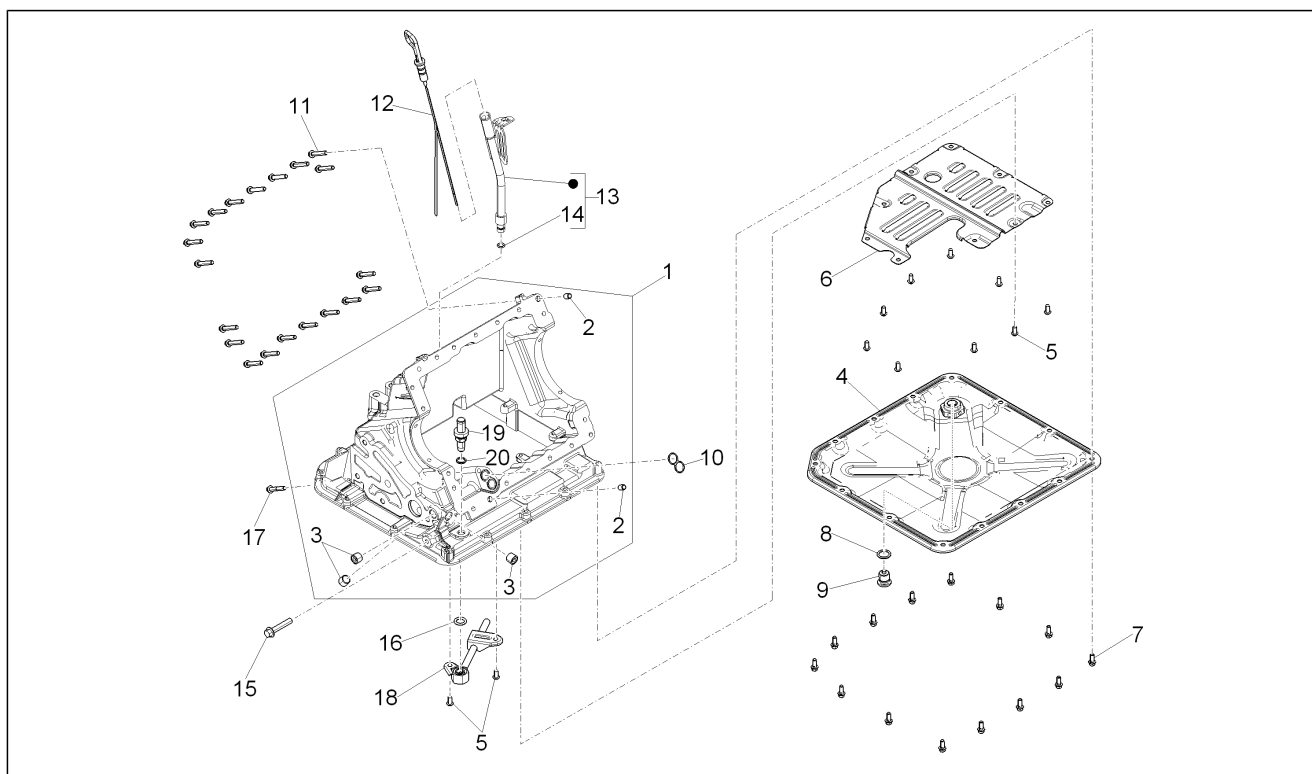
| Pos. | Code | Beschreibung | Menge | Varianten |
|------|-------------|--------------------------|-------|---|
| 29 | B004198 | Schlauch | 1 | |
| 30 | B004199 | Schlauch | 1 | |
| 31 | 660614 | Differenzdrucksensor DPR | 1 | |
| 32 | 015715 | Schraube M5x16 | 2 | |
| 33 | B004204 | Druckmessleitungen | 1 | Technische Spezifikation: Kastenwagen[VAN] |
| 34 | B006158 | Druckmessleitungen | 1 | Technische Spezifikation: Kastenwagen[VAN] |
| 35 | B005817 | Halterung Umformer | 1 | Technische Spezifikation: Kastenwagen[VAN] |
| 36 | D9165160614 | TE Schr. m. Flansch | 3 | Technische Spezifikation: Kastenwagen[VAN] |

| | |
|---------------------|------------|
| Einheit | Motor |
| Code | 01.38 |
| Beschreibung | Luftfilter |
| Inspektion | 1 |



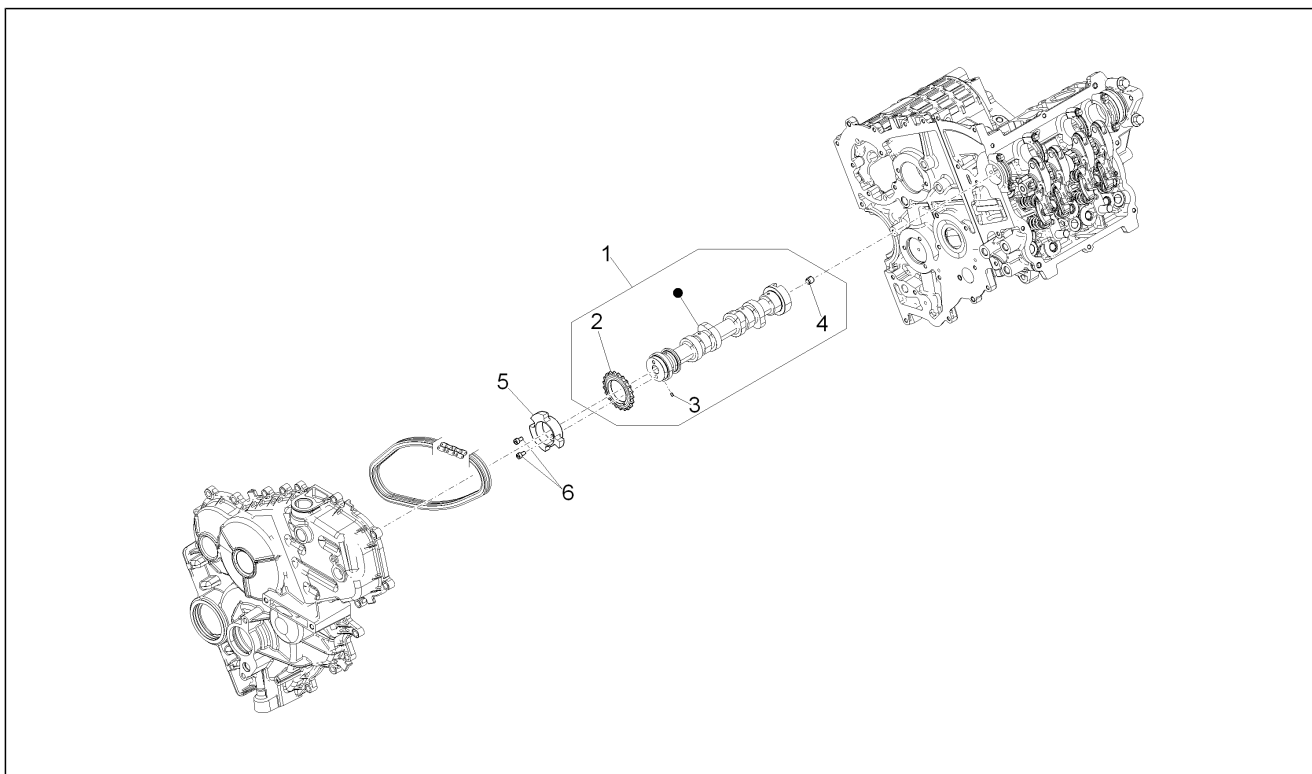
| Pos. | Code | Beschreibung | Menge | Varianten |
|------|---------------|------------------------|-------|-----------|
| 1 | B004788 | Luftfilter Kpl. | 1 | |
| 2 | 263703 | Filtereinsatz | 1 | |
| 3 | 031092 | Schraube M6x25 | 5 | |
| 4 | 003056 | Flachscheibe 6,4x12x1 | 5 | |
| 5 | B004789 | Luftleitung | 1 | |
| 6 | 660594 | Luftmassensensor | 1 | |
| 7 | 293404 | Schelle | 3 | |
| 8 | B005426 | Luftleitung | 1 | |
| 9 | 614188 | Schlauchschelle | 3 | |
| 9 | 807315 | Schelle | 3 | |
| 10 | B005427 | Anschluss | 1 | |
| 11 | B005428 | Luftleitung | 1 | |
| 12 | 9004467361000 | Schelle | 1 | |
| 13 | 264058 | Schelle | 1 | |
| 14 | 262031 | Muffe reiniger krümmer | 1 | |
| 15 | 031092 | Schraube M6x25 | 1 | |
| 16 | 016667 | Unterlegscheibe | 3 | |
| 17 | D9004480596 | Gummi | 3 | |
| 18 | D9004560215 | Buchse | 3 | |
| 19 | 254485 | Federplättchen M6 | 1 | |

| | |
|---------------------|---------|
| Einheit | Motor |
| Code | 01.40 |
| Beschreibung | Ölwanne |
| Inspektion | 1 |



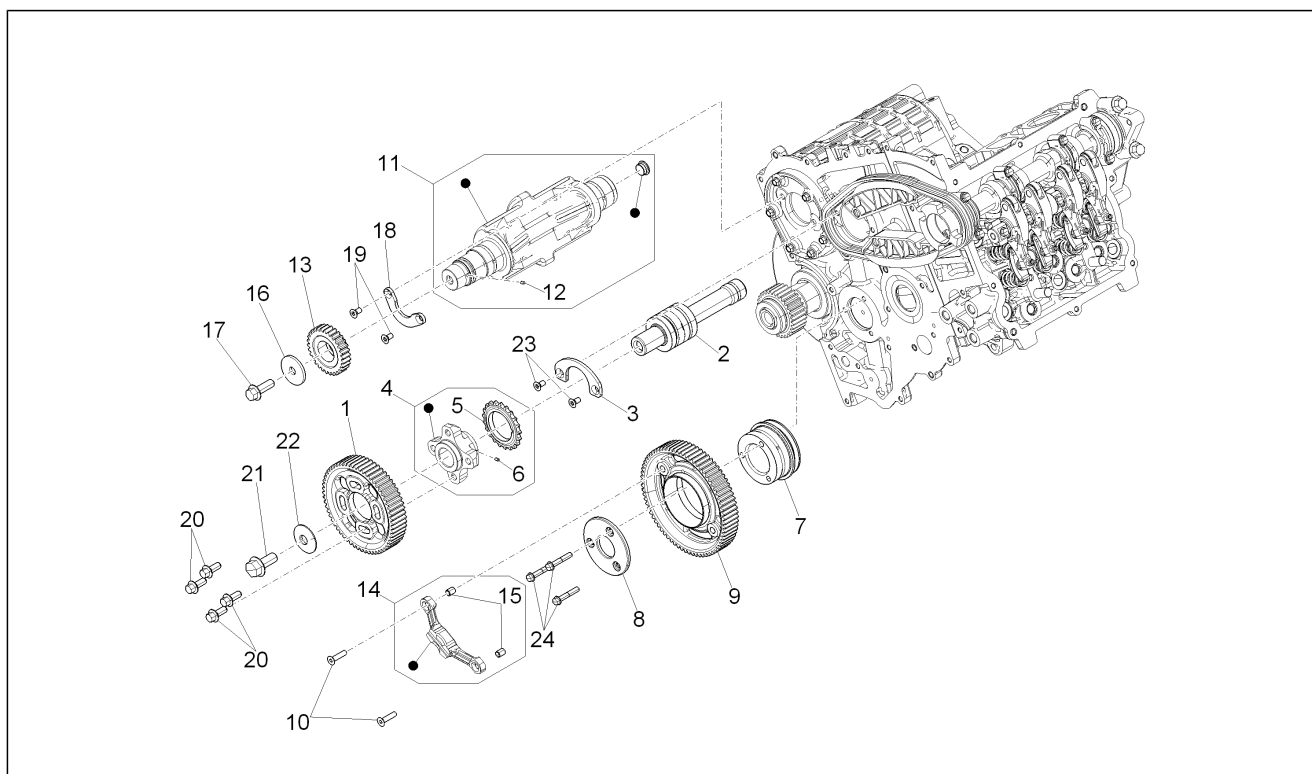
| Pos. | Code | Beschreibung | Menge | Varianten |
|------|----------|---------------------------|-------|-----------|
| 1 | B011407 | Ölwanne | 1 | |
| 2 | 411209 | Stift | 2 | |
| 3 | 831135 | Verschlußschraube M14x1,5 | 3 | |
| 4 | B010941 | Wannenunterseite | 1 | |
| 5 | 274369 | TBEI Schraube M6x12 | 11 | |
| 6 | B011010 | Ölschott | 1 | |
| 7 | 872425 | TE Schr. m. Flansch | 14 | |
| 8 | B011016 | Kupferdichtung | 1 | |
| 9 | B010943 | Ölablaßschraube | 1 | |
| 10 | B010357 | Dichtung | 1 | |
| 11 | 018639 | Sechskantschraube M6x20 | 20 | |
| 12 | 1F000078 | Ölmessstab | 1 | |
| 12 | 889959 | Ölmessstab | 1 | |
| 13 | B010350 | Ölpeilstabrohr | 1 | |
| 14 | 882484 | O-Ring | 1 | |
| 15 | 833722 | TE Schr. m. Flansch M6x14 | 1 | |
| 16 | 169569 | Dichtung | 1 | |
| 17 | 414835 | Schraube | 1 | |
| 18 | B010916 | Ölabscheider | 1 | |
| 19 | B011258 | Sperrventil Öl | 1 | |
| 20 | B011408 | Flachscheibe | 1 | |

| | |
|---------------------|-------------|
| Einheit | Motor |
| Code | 01.41 |
| Beschreibung | Nockenwelle |
| Inspektion | 1 |



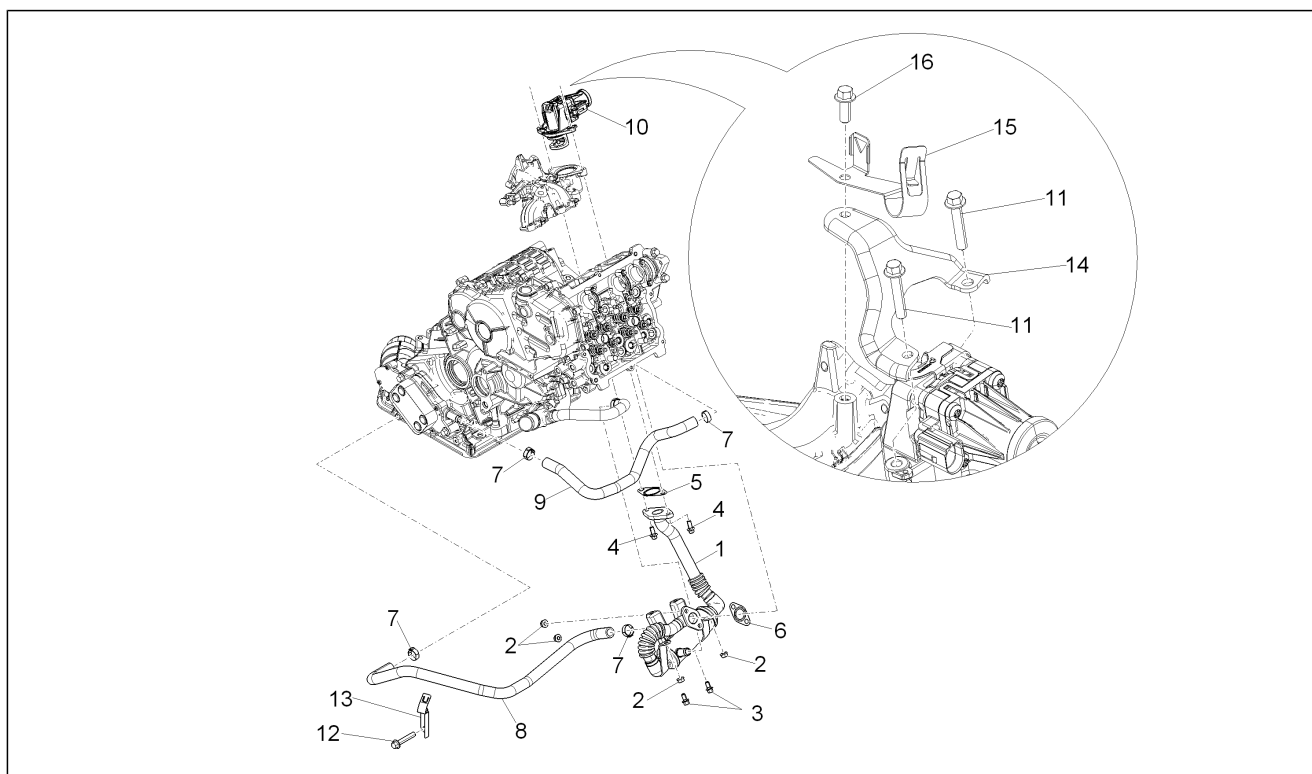
| Pos. | Code | Beschreibung | Menge | Varianten |
|------|---------|----------------------------|-------|-----------|
| 1 | 888209 | Nockenwelle kplt. | 1 | |
| 2 | 882197 | Ritzel | 1 | |
| 3 | 287959 | Führungsrolle | 1 | |
| 4 | 842507 | Verschlußschraube M10x1,25 | 1 | |
| 4 | B011862 | Verschlußschraube | 1 | |
| 5 | 882232 | Positionssensor | 1 | |
| 6 | 319446 | TCEI Schraube M6x10 | 2 | |

| | |
|---------------------|----------------------------|
| Einheit | Motor |
| Code | 01.42 |
| Beschreibung | Zwischenwelle - Gegenwelle |
| Inspektion | 1 |



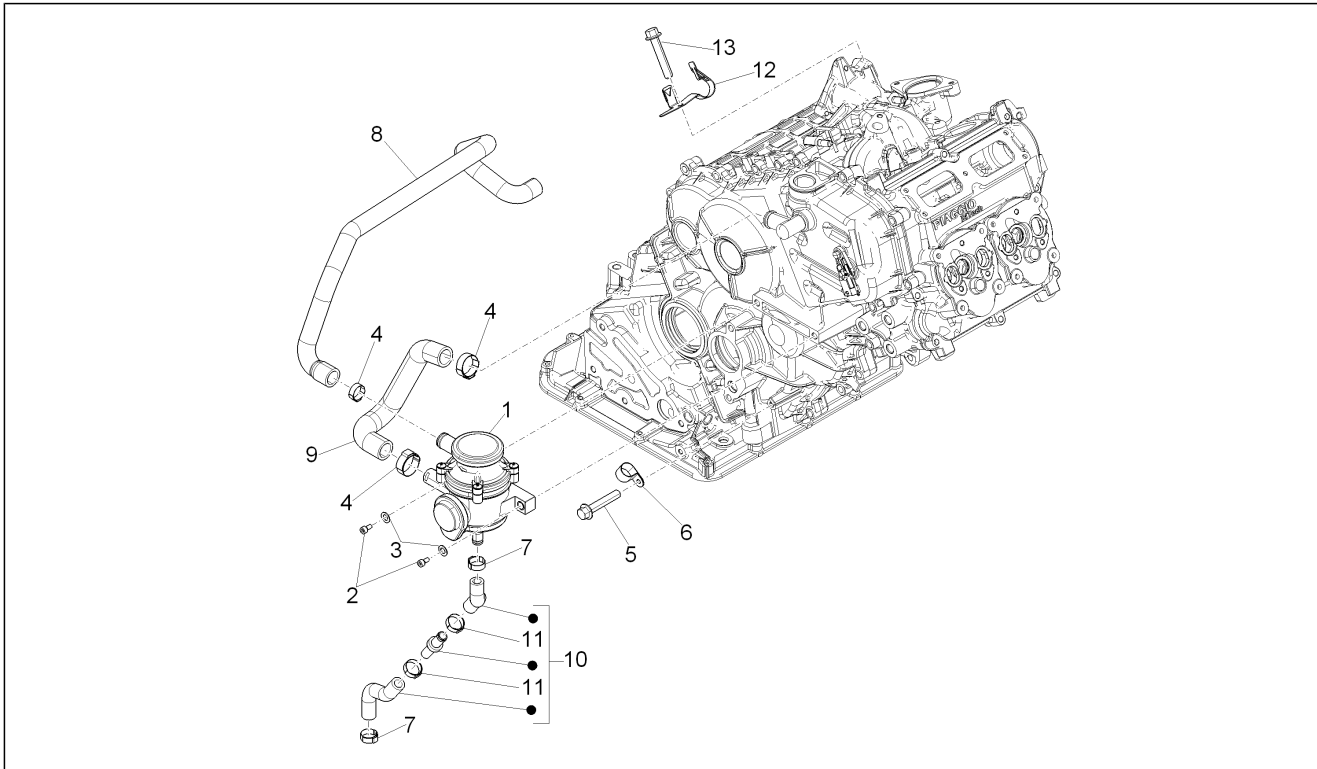
| Pos. | Code | Beschreibung | Menge | Varianten |
|------|---------|----------------------------|-------|-----------|
| 1 | 882157 | Pumpenzahnrad | 1 | |
| 2 | 882175 | Zwischenwelle | 1 | |
| 3 | 882177 | Schraube | 1 | |
| 4 | 882185 | Nabe komplett | 1 | |
| 5 | 882197 | Ritzel | 1 | |
| 6 | 287959 | Führungsrolle | 1 | |
| 7 | 888199 | Nabe | 1 | |
| 8 | 888204 | Schraube | 1 | |
| 9 | 889626 | Zahnrad | 1 | |
| 10 | 561604 | Schraube | 2 | |
| 11 | 889951 | Gegenwelle | 1 | |
| 12 | 287959 | Führungsrolle | 1 | |
| 13 | 889953 | Gegenwelle Zahnrad | 1 | |
| 14 | B010580 | Kreuzgelenk | 1 | |
| 15 | 411209 | Stift | 2 | |
| 16 | 889954 | Tellerfeder | 1 | |
| 17 | 889497 | TE Schr. m. Flansch | 1 | |
| 18 | 889955 | Schraube | 1 | |
| 19 | B010362 | Schraube TS torx | 2 | |
| 20 | 889637 | TE Schr. m. Flansch | 4 | |
| 21 | 888592 | TE Schr. m. Flansch M12X30 | 1 | |
| 21 | B012209 | TE Schr. m. Flansch M12x27 | 1 | |
| 22 | 882187 | Flachscheibe | 1 | |
| 23 | B010362 | Schraube TS torx | 2 | |
| 24 | 430207 | Schraube M6x50 | 3 | |

| | |
|---------------------|----------------------|
| Einheit | Motor |
| Code | 01.43 |
| Beschreibung | Kreislauf Ventil EGR |
| Inspektion | 1 |



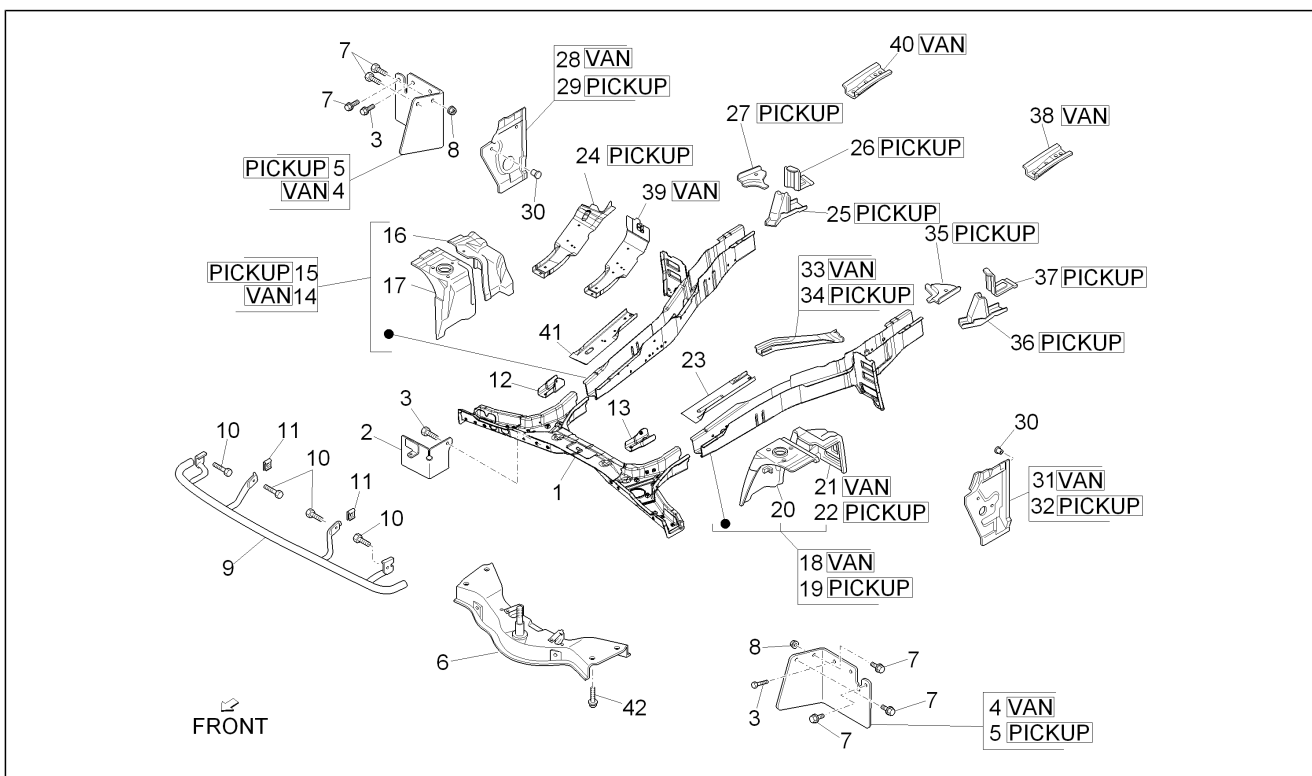
| Pos. | Code | Beschreibung | Menge | Varianten |
|------|----------|---------------------------------|-------|-----------|
| 1 | B010642 | AGR-Kühlvorrichtung | 1 | |
| 2 | 434078 | Mutter | 4 | |
| 3 | B010725 | TE Schr. m. Flansch | 2 | |
| 4 | 889637 | TE Schr. m. Flansch | 2 | |
| 5 | 882769 | Dichtung | 1 | |
| 6 | 882765 | Dichtung | 1 | |
| 7 | CM001906 | Schlauchschelle | 4 | |
| 8 | 889405 | Wasserschlauch | 1 | |
| 9 | 889407 | Wasserschlauch | 1 | |
| 10 | 888686 | Egr ventil | 1 | |
| 11 | 830784 | Schraube | 2 | |
| 12 | 436788 | TE Schr. m. Flansch | 1 | |
| 13 | B010644 | Schelle | 1 | |
| 14 | B011236 | Versteifungsbügel Halterung AGR | 1 | |
| 15 | B010637 | Haltebügel Blow-By | 1 | |
| 16 | 833722 | TE Schr. m. Flansch M6x14 | 1 | |

| | |
|---------------------|--------------------------|
| Einheit | Motor |
| Code | 01.44 |
| Beschreibung | Ich rezirkuliere Dampföl |
| Inspektion | 1 |



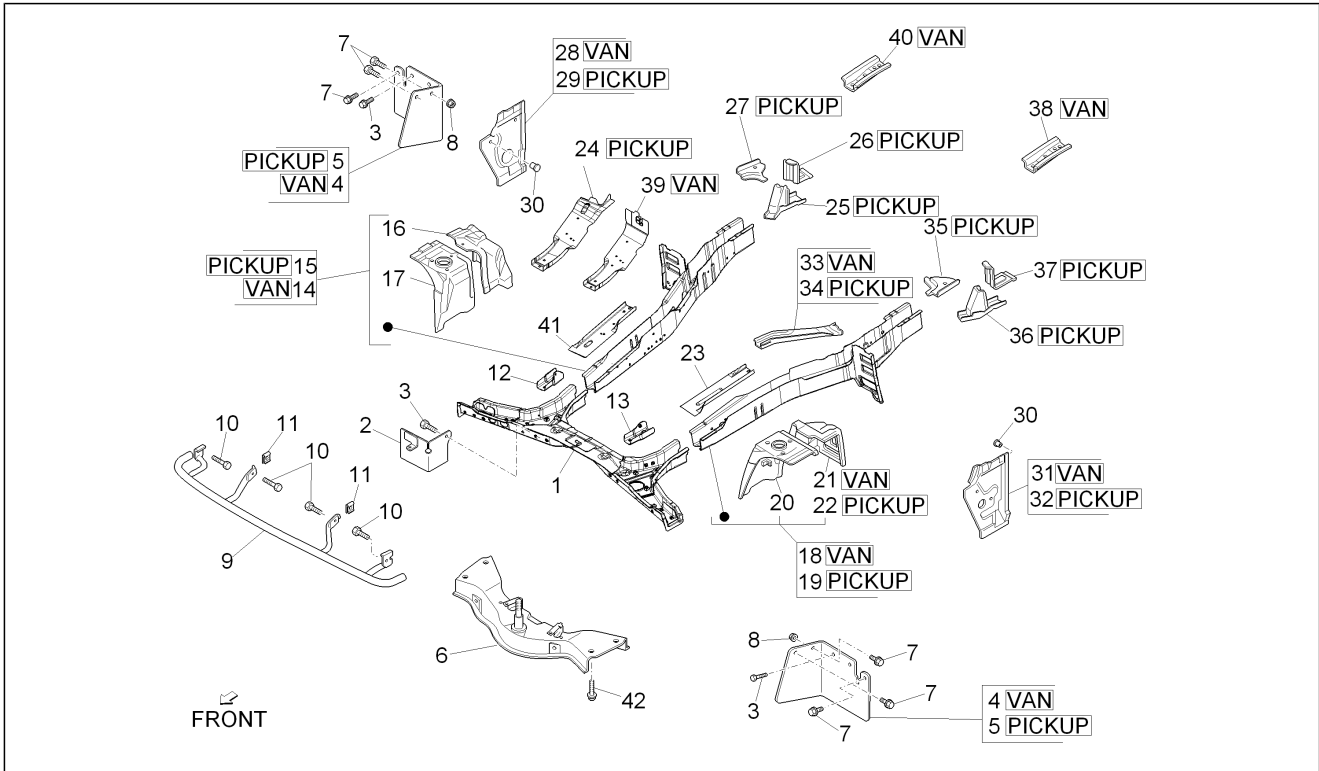
| Pos. | Code | Beschreibung | Menge | Varianten |
|------|----------|------------------------|-------|-----------|
| 1 | B011055 | Ölabscheider | 1 | |
| 2 | 436669 | Schraube | 2 | |
| 3 | 847183 | Ausgleichscheibe | 2 | |
| 4 | CM001915 | Schlauchschelle | 3 | |
| 5 | 435634 | TE Schr. m. Flansch | 1 | |
| 6 | B011032 | Schelle | 1 | |
| 7 | CM001927 | Schelle | 2 | |
| 8 | B010692 | Blow-by-Leitung | 1 | |
| 9 | B010693 | Eintrittsleitung Öltr. | 1 | |
| 10 | B011222 | Entlüftungsschlauch | 1 | |
| 11 | CM001927 | Schelle | 2 | |
| 12 | B010637 | Haltebügel Blow-By | 1 | |
| 13 | 435634 | TE Schr. m. Flansch | 1 | |

| | |
|---------------------|---|
| Einheit | Fahrgestell - Plastikformteil - Karosserien |
| Code | 02.02 |
| Beschreibung | Rahmen/ vordere Karosserieteile |
| Inspektion | 1 |



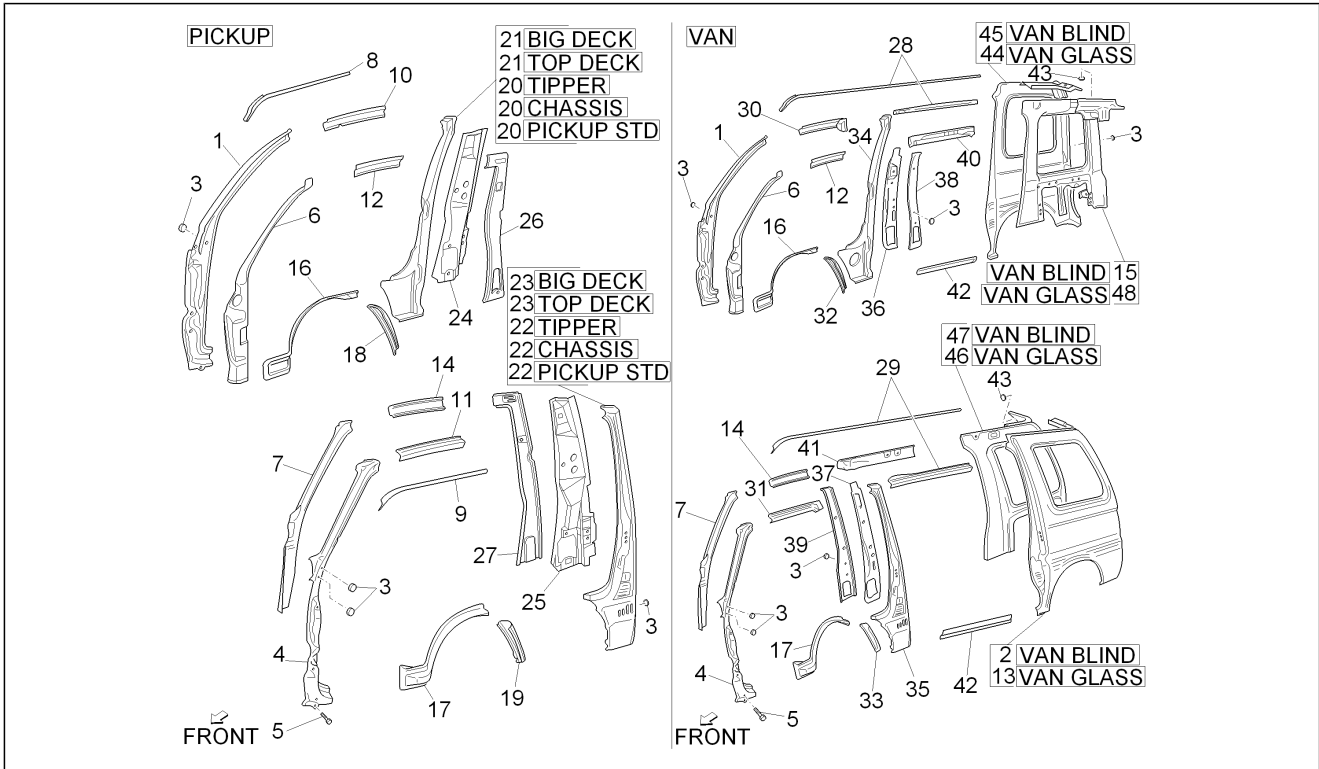
| Pos. | Code | Beschreibung | Menge | Varianten |
|------|---------------|--------------------------------------|-------|---|
| 1 | 5740887Z17000 | Querträger | 1 | |
| 2 | 7661987Z02000 | Vorderes Schutzblech | 1 | |
| 3 | D9004159410 | Sechskantschraube | 5 | |
| 4 | 7662187Z02000 | Vorderes Schutzblech | 2 | Technische Spezifikation: Kastenwagen[VAN] |
| 5 | 7662187Z01000 | Vorderes Schutzblech | 2 | Technische Spezifikation: Alle Pick-up-Versionen[PICKUP] |
| 6 | B007422 | Federung traverse | 1 | |
| 7 | 9004119341000 | Schraubbolzen | 6 | |
| 8 | D9004179081 | Mutter | 2 | |
| 9 | 5290787Z03000 | Kühlerschutz | 1 | |
| 10 | 9165140820000 | Schraubbolzen | 6 | |
| 11 | D9004181008 | Mutter | 2 | |
| 12 | 5713387Z01000 | Verstärkung re. | 1 | |
| 13 | D5713487Z01 | Verstärkung li. | 1 | |
| 14 | B0047495 | Längsträger vorne rechts | 1 | Technische Spezifikation: Kastenwagen[VAN] |
| 15 | B0047455 | Längsträger vorne rechts | 1 | Technische Spezifikation: Alle Pick-up-Versionen[PICKUP] |
| 16 | D5371187Z06 | Schutz vorderer rechter kotflügel | 1 | |
| 17 | B0053295 | Halterung Radaufhängung vorne rechts | 1 | |
| 18 | B0047505 | Längsträger vorne links | 1 | Technische Spezifikation: Kastenwagen[VAN] |
| 19 | B0047465 | Längsträger vorne rechts | 1 | Technische Spezifikation: Alle Pick-up-Versionen[PICKUP] |
| 20 | B0053285 | Halterung Radaufhängung vorne links | 1 | |
| 21 | B005631 | Schutz vorderer linker kotflügel | 1 | Technische Spezifikation: Kastenwagen[VAN] |
| 22 | 5711387Z02000 | Verschluss vorne rechts | 1 | |
| 23 | B0233195 | Verschluss Längsträger vorne links | 1 | |
| 23 | D5711487Z01 | Verschluss vorne links | 1 | |
| 24 | B0007475 | Verschluss Längsträger rechts | 1 | Technische Spezifikation: Alle Pick-up-Versionen[PICKUP] |
| 25 | 5170387Z02000 | Befstigung rechts | 1 | Technische Spezifikation: Alle Pick-up-Versionen[PICKUP] |
| 26 | 5171787Z01000 | Rechts Platte | 1 | Technische Spezifikation: Alle Pick-up-Versionen[PICKUP] |
| 27 | D5822387Z02 | Verstärkung re. | 1 | Technische Spezifikation: Alle Pick-up-Versionen[PICKUP] |

| | |
|---------------------|---|
| Einheit | Fahrgestell - Plastikformteil - Karosserien |
| Code | 02.02 |
| Beschreibung | Rahmen/ vordere Karosserieteile |
| Inspektion | 1 |



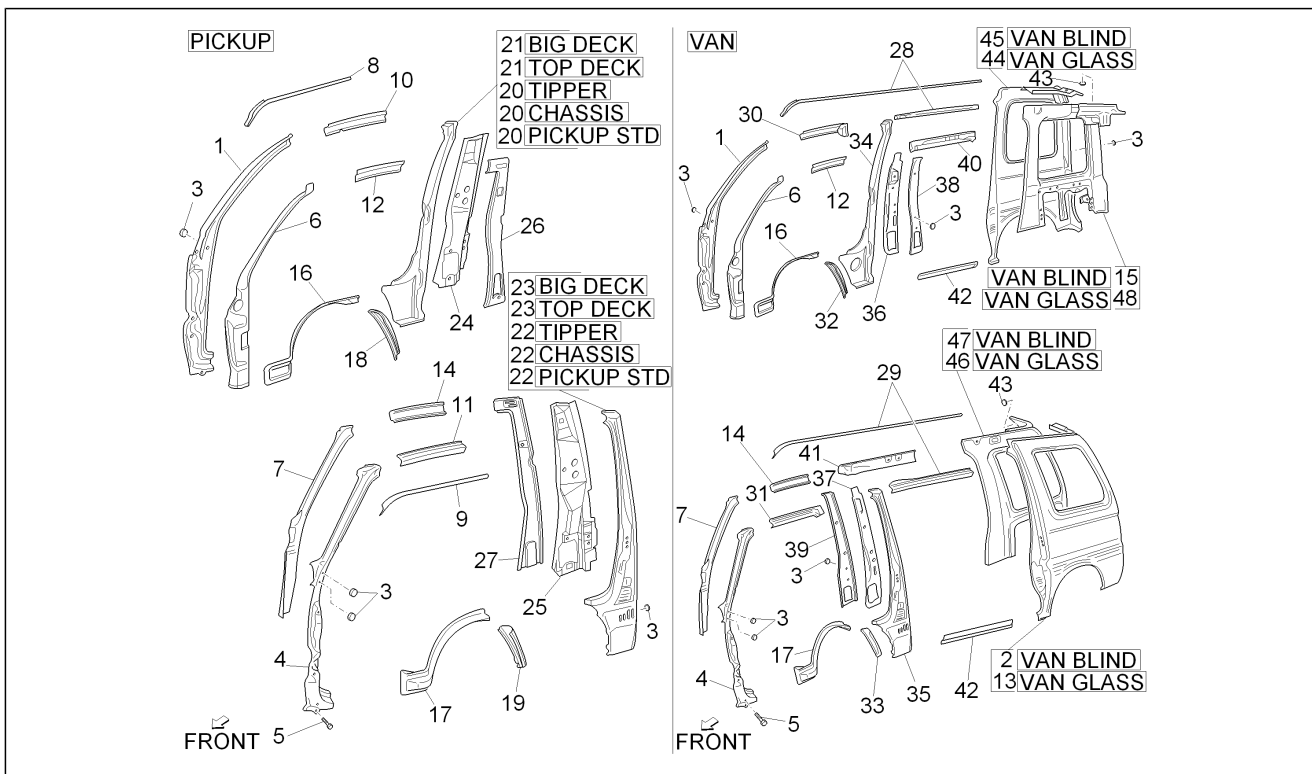
| Pos. | Code | Beschreibung | Menge | Varianten |
|------|---------------|----------------------------------|-------|---|
| 28 | 5820387Z02000 | Pfosten rechts | 1 | Technische Spezifikation: Kastenwagen[VAN] |
| 29 | 5820387Z04000 | Not available | 1 | Technische Spezifikation: Alle Pick-up-Versionen[PICKUP] |
| 30 | 9004874013000 | Deckel D26 | 3 | |
| 31 | B0041935 | B-Säule innen, unten links kpl. | 1 | Technische Spezifikation: Kastenwagen[VAN] |
| 32 | 5820487Z01000 | Pfosten links | 1 | Technische Spezifikation: Alle Pick-up-Versionen[PICKUP] |
| 33 | B0041865 | Verschluss vorne links | 1 | Technische Spezifikation: Kastenwagen[VAN] |
| 34 | B0041855 | Verschluss vorne links | 1 | Technische Spezifikation: Alle Pick-up-Versionen[PICKUP] |
| 35 | D5822487Z02 | Verstärkung li. | 1 | Technische Spezifikation: Alle Pick-up-Versionen[PICKUP] |
| 36 | B0061525 | Linke Befestigung | 1 | Technische Spezifikation: Alle Pick-up-Versionen[PICKUP] |
| 37 | 5171887Z01000 | Links Platte | 1 | Technische Spezifikation: Alle Pick-up-Versionen[PICKUP] |
| 38 | 5131687Z02000 | Verstärkung oben links | 1 | Technische Spezifikation: Kastenwagen[VAN] |
| 39 | B0054455 | Verschluss Längsträger rechts | 1 | Technische Spezifikation: Kastenwagen[VAN] |
| 40 | 5131587Z01000 | Verstärkung oben rechts | 1 | Technische Spezifikation: Kastenwagen[VAN] |
| 41 | B0056325 | Schutz vorderer linker Kotflügel | 1 | Technische Spezifikation: Alle Pick-up-Versionen[PICKUP] |
| 42 | 661064 | Flanschschraube | 4 | |

| | |
|---------------------|---|
| Einheit | Fahrgestell - Plastikformteil - Karosserien |
| Code | 02.03 |
| Beschreibung | Rahmen/ seitliche Karosserieteile |
| Inspektion | 1 |



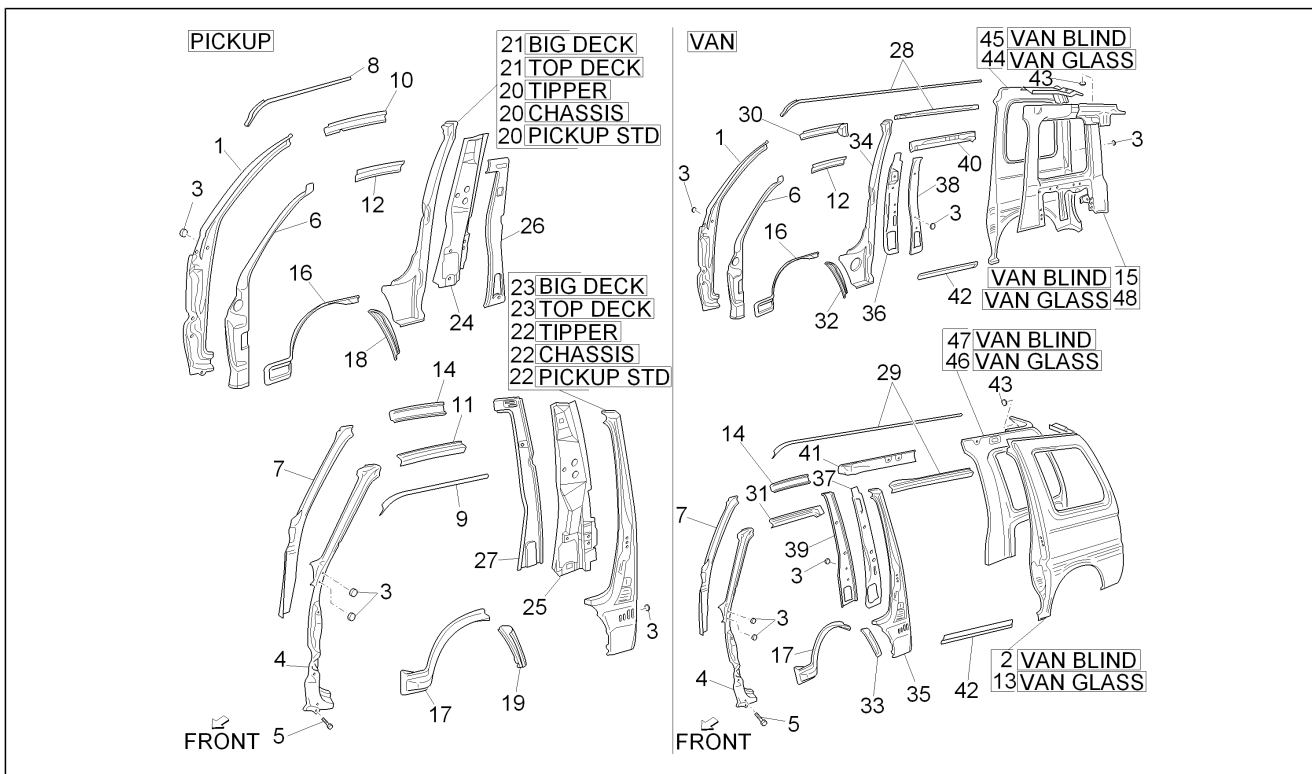
| Pos. | Code | Beschreibung | Menge | Varianten |
|------|---------------|------------------------------|-------|--|
| 1 | 6102787Z01000 | Äußerer pfosten vorne rechts | 1 | |
| 2 | 6160287Z01000 | Linke seitliche verkleidung | 1 | Technische Spezifikation: Geschlossener Kastenwagen[VAN BLIND] |
| 3 | D9004874004 | Deckel | 5 | |
| 4 | 6102887Z02000 | Äußerer pfosten vorne links | 1 | |
| 5 | 9162140610000 | Schraubbolzen | 2 | |
| 6 | 6102387Z14000 | Pfosten rechts | 1 | |
| 7 | 6102487Z14000 | Pfosten links | 1 | |
| 8 | 6126187Z01000 | Abtropfrinne rechts | 1 | Technische Spezifikation: Alle Pick-up-Versionen[PICKUP] |
| 9 | 6126287Z01000 | Abtropfrinne links | 1 | Technische Spezifikation: Alle Pick-up-Versionen[PICKUP] |
| 10 | 6121187Z02000 | Führer | 1 | |
| 11 | 6121287Z02000 | Führer | 1 | |
| 12 | 6123187Z04000 | Führer | 1 | |
| 13 | 2629965 | Linke seitliche verkleidung | 1 | Technische Spezifikation: Kastenwagen mit Fenstern[VAN GLASS] |
| 14 | 6123287Z03000 | Führer | 1 | |
| 15 | 262997 | Rechte innere verkleidung | 1 | Technische Spezifikation: Geschlossener Kastenwagen[VAN BLIND] |
| 16 | 6142187Z01000 | Kotflügel rechts | 1 | |
| 17 | 6142287Z01000 | Kotflügel links | 1 | |
| 18 | 6142587Z01000 | Kotflügel hinten rechts | 1 | Technische Spezifikation: Alle Pick-up-Versionen[PICKUP] |
| 19 | 6142687Z01000 | Kotflügel hinten links | 1 | Technische Spezifikation: Alle Pick-up-Versionen[PICKUP] |
| 20 | 6130187Z01000 | Pfosten rechts | 1 | Technische Spezifikation: Version mit kippbarer Ladefläche[TIPPER] Version ohne Ladefläche[CHASSIS] Version mit Ladefläche und Ladebordwänden aus Eisen[PICKUP STD] |
| 21 | 2632315 | Pfosten links | 1 | Technische Spezifikation: Version mit vergrößerter Ladefläche und Ladebordwänden aus Eisen[BIG DECK] Version mit vergrößerter Ladefläche und Ladebordwänden aus Legierung[TOP DECK] |

| | |
|---------------------|---|
| Einheit | Fahrgestell - Plastikformteil - Karosserien |
| Code | 02.03 |
| Beschreibung | Rahmen/ seitliche Karosserieteile |
| Inspektion | 1 |



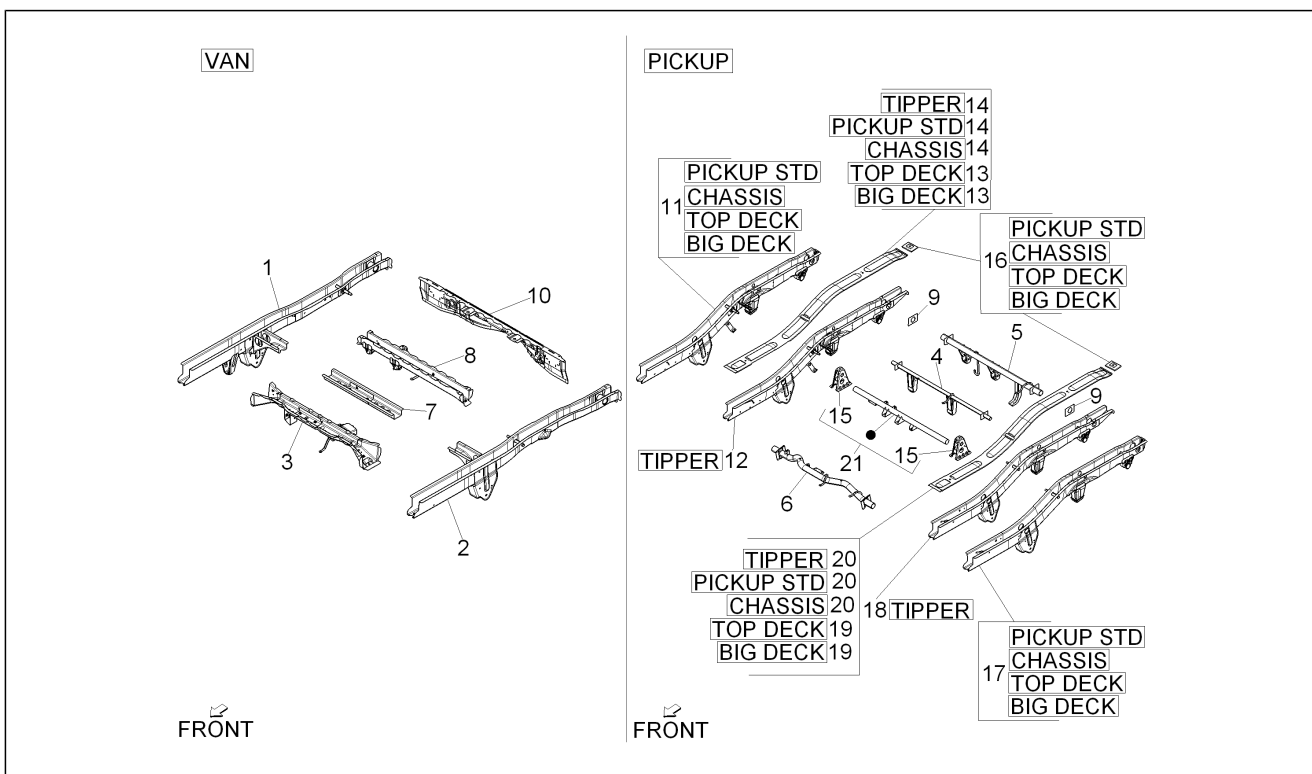
| Pos. | Code | Beschreibung | Menge | Varianten |
|------|---------------|---------------------------|-------|--|
| 22 | 6130287Z01000 | Pfosten links | 1 | Technische Spezifikation: Version mit kippbarer Ladefläche[TIPPER] Version ohne Ladefläche[CHASSIS] Version mit Ladefläche und Ladebordwänden aus Eisen[PICKUP STD] |
| 23 | 2632325 | Pfosten links | 1 | Technische Spezifikation: Version mit vergrößerter Ladefläche und Ladebordwänden aus Eisen[BIG DECK] Version mit vergrößerter Ladefläche und Ladebordwänden aus Legierung[TOP DECK] |
| 24 | 6419287Z01000 | Verstärkung rechts | 1 | Technische Spezifikation: Alle Pick-up-Versionen[PICKUP] |
| 25 | 6419187Z01000 | Verstärkung links | 1 | Technische Spezifikation: Alle Pick-up-Versionen[PICKUP] |
| 26 | 6413587Z01000 | Not available | 1 | Technische Spezifikation: Alle Pick-up-Versionen[PICKUP] |
| 27 | 6413687Z01000 | Not available | 1 | Technische Spezifikation: Alle Pick-up-Versionen[PICKUP] |
| 28 | 6120387Z02000 | Führer | 1 | Technische Spezifikation: Kastenwagen[VAN] |
| 29 | 6120487Z02000 | Führer | 1 | Technische Spezifikation: Kastenwagen[VAN] |
| 30 | 6120187Z02000 | Führer | 1 | Technische Spezifikation: Kastenwagen[VAN] |
| 31 | 6120287Z02000 | Führer | 1 | Technische Spezifikation: Kastenwagen[VAN] |
| 32 | 6142587Z02000 | Kotflügel hinten rechts | 1 | Technische Spezifikation: Kastenwagen[VAN] |
| 33 | 6142687Z02000 | Kotflügel hinten links | 1 | Technische Spezifikation: Kastenwagen[VAN] |
| 34 | 6130187Z02000 | Pfosten | 1 | Technische Spezifikation: Kastenwagen[VAN] |
| 35 | 6130287Z02000 | Pfosten | 1 | Technische Spezifikation: Kastenwagen[VAN] |
| 36 | 6103787Z01000 | Innere Verstärkung rechts | 1 | Technische Spezifikation: Kastenwagen[VAN] |
| 37 | 6103887Z01000 | Innere Verstärkung links | 1 | Technische Spezifikation: Kastenwagen[VAN] |
| 38 | 6134387Z01000 | Pfosten | 1 | Technische Spezifikation: Kastenwagen[VAN] |
| 39 | 6134487Z01000 | Pfosten | 1 | Technische Spezifikation: Kastenwagen[VAN] |
| 40 | 6123387Z02000 | Führer | 1 | Technische Spezifikation: Kastenwagen[VAN] |
| 41 | 6123487Z02000 | Führer | 1 | Technische Spezifikation: Kastenwagen[VAN] |
| 42 | 6141187Z01000 | Linke Verkleidung | 2 | Technische Spezifikation: Kastenwagen[VAN] |
| 43 | 9004874025000 | Deckel | 2 | Technische Spezifikation: Kastenwagen[VAN] |
| 44 | 2629955 | Verkleidung hinten rechts | 1 | Technische Spezifikation: Kastenwagen mit Fenstern[VAN GLASS] |

| | |
|---------------------|---|
| Einheit | Fahrgestell - Plastikformteil - Karosserien |
| Code | 02.03 |
| Beschreibung | Rahmen/ seitliche Karosserieteile |
| Inspektion | 1 |



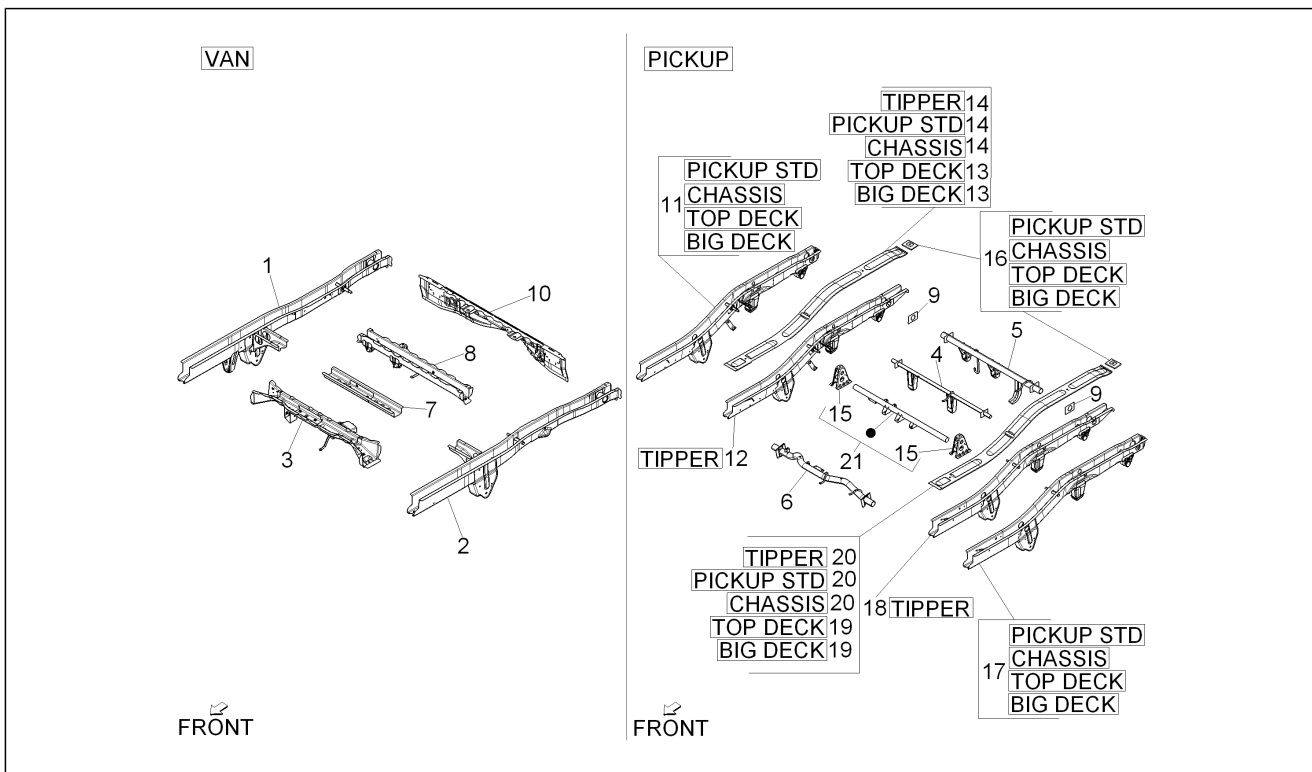
| Pos. | Code | Beschreibung | Menge | Varianten |
|------|---------------|---------------------------|-------|---|
| 45 | 6160187Z01000 | Verkleidung hinten rechts | 1 | Technische Spezifikation: Geschlossener Kastenwagen[VAN BLIND] |
| 46 | 6170487Z04000 | Linke innere verkleidung | 1 | Technische Spezifikation: Kastenwagen mit Fenstern[VAN GLASS] |
| 47 | 6170487Z01000 | Linke innere verkleidung | 1 | Technische Spezifikation: Geschlossener Kastenwagen[VAN BLIND] |
| 48 | 262998 | Rechte innere verkleidung | 1 | Technische Spezifikation: Kastenwagen mit Fenstern[VAN GLASS] |

| | |
|---------------------|---|
| Einheit | Fahrgestell - Plastformteil - Karosserien |
| Code | 02.04 |
| Beschreibung | Rahmen/Karosserie hinten |
| Inspektion | 1 |



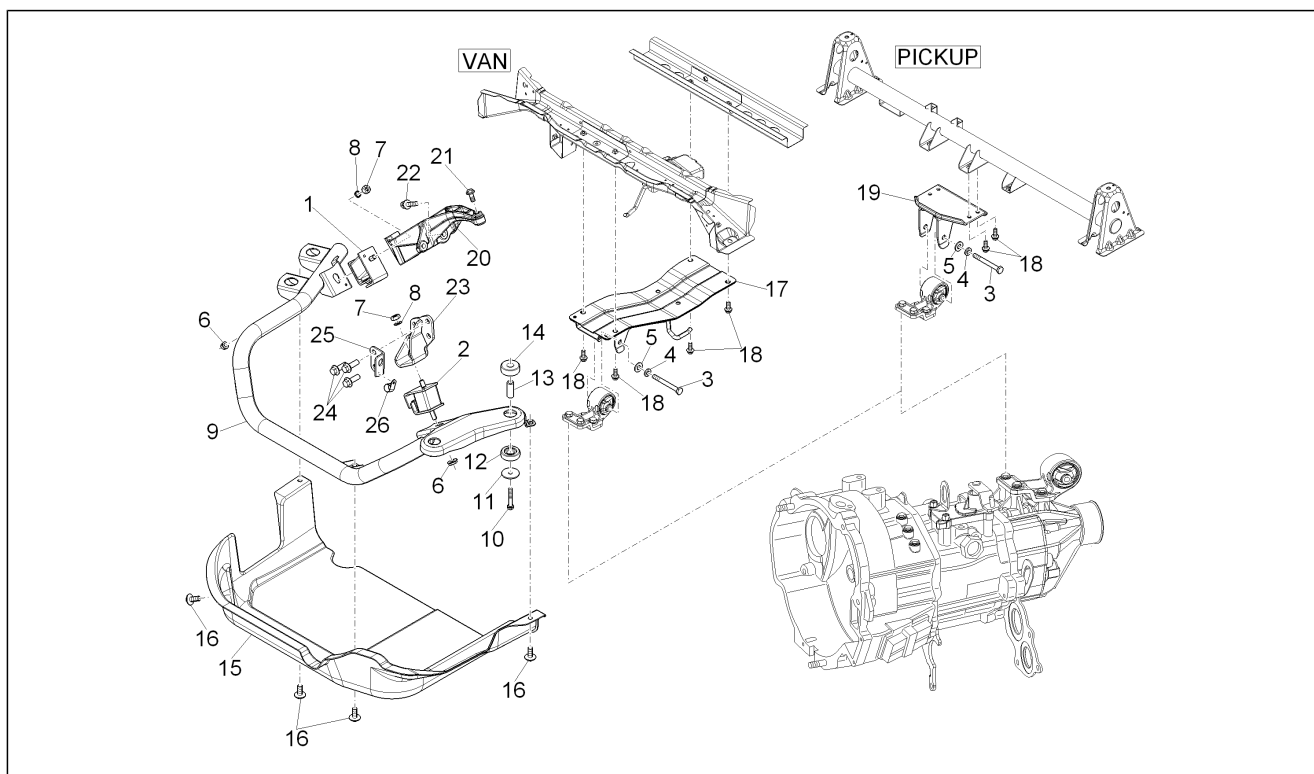
| Pos. | Code | Beschreibung | Menge | Varianten |
|------|---------------|-------------------------------|-------|---|
| 1 | B0058785 | Hinterer rechter holm | 1 | Technische Spezifikation: Kastenwagen[VAN] |
| 2 | B0058795 | Hinterer linker holm | 1 | Technische Spezifikation: Kastenwagen[VAN] |
| 3 | B0073755 | Hinterer Querträger N.1 | 1 | Technische Spezifikation: Kastenwagen[VAN] |
| 4 | 5120287Z02000 | Querträger | 1 | Technische Spezifikation: Alle Pick-up-Versionen[PICKUP] |
| 5 | 264312 | Hinterer Querträger | 1 | Technische Spezifikation: Alle Pick-up-Versionen[PICKUP] |
| 6 | B004763 | Rahmenträger mit Innenteilen | 1 | Technische Spezifikation: Alle Pick-up-Versionen[PICKUP] |
| 6 | B023290 | Rahmenträger mit Innenteilen | 1 | Technische Spezifikation: Alle Pick-up-Versionen[PICKUP] |
| 7 | B0054325 | Hinterer Querträger N.3 | 1 | Technische Spezifikation: Kastenwagen[VAN] |
| 8 | B0009245 | Hinterer Querträger Nr. 4 | 1 | Technische Spezifikation: Kastenwagen[VAN] |
| 8 | B0072175 | Hinterer Querträger Nr. 4 | 1 | Technische Spezifikation: Kastenwagen[VAN] |
| 9 | 5133187Z01000 | Verstärkerhalter | 2 | Technische Spezifikation: Alle Pick-up-Versionen[PICKUP] |
| 10 | 5707887Z01000 | Hinterer Querträger | 1 | Technische Spezifikation: Kastenwagen[VAN] |
| 10 | B0233355 | Hinterer Querträger | 1 | Technische Spezifikation: Kastenwagen[VAN] |
| 11 | B0058805 | Hinterer rechter holm | 1 | Technische Spezifikation: Version ohne Ladefläche[CHASSIS] Version mit Ladefläche und Ladebordwänden aus Eisen[PICKUP STD] Version mit vergrößerter Ladefläche und Ladebordwänden aus Eisen[BIG DECK] Version mit vergrößerter Ladefläche und Ladebordwänden aus Legierung[TOP DECK] |
| 12 | B0058825 | Hinterer rechter holm | 1 | Technische Spezifikation: Version mit kippbarer Ladefläche[TIPPER] |
| 13 | 6159115 | Verschluss Längsträger rechts | 1 | Technische Spezifikation: Version mit vergrößerter Ladefläche und Ladebordwänden aus Eisen[BIG DECK] Version mit vergrößerter Ladefläche und Ladebordwänden aus Legierung[TOP DECK] |
| 14 | 615910 | Verschluss Längsträger rechts | 1 | Technische Spezifikation: Version mit kippbarer Ladefläche[TIPPER] Version ohne Ladefläche[CHASSIS] Version mit Ladefläche und Ladebordwänden aus Eisen[PICKUP STD] |
| 15 | 5731787Z01000 | Halter | 2 | Technische Spezifikation: Alle Pick-up-Versionen[PICKUP] |

| | |
|---------------------|---|
| Einheit | Fahrgestell - Plastikformteil - Karosserien |
| Code | 02.04 |
| Beschreibung | Rahmen/Karosserie hinten |
| Inspektion | 1 |



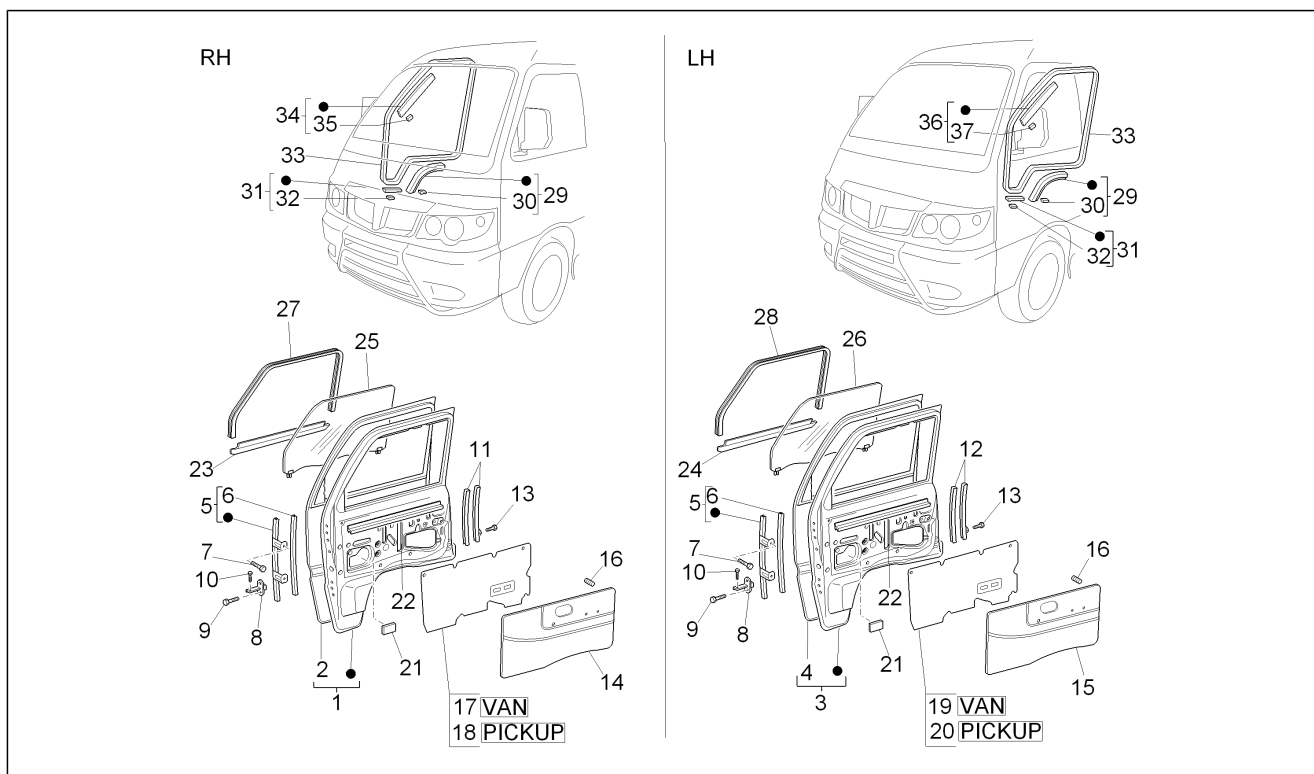
| Pos. | Code | Beschreibung | Menge | Varianten |
|------|---------------|------------------------------|-------|---|
| 16 | 5175787Z01000 | Halter | 2 | Technische Spezifikation: Version ohne Ladefläche[CHASSIS] Version mit Ladefläche und Ladebordwänden aus Eisen[PICKUP STD] Version mit vergrößerter Ladefläche und Ladebordwänden aus Eisen[BIG DECK] Version mit vergrößerter Ladefläche und Ladebordwänden aus Legierung[TOP DECK] |
| 17 | B0058815 | Hinterer linker holm | 1 | Technische Spezifikation: Version ohne Ladefläche[CHASSIS] Version mit Ladefläche und Ladebordwänden aus Eisen[PICKUP STD] Version mit vergrößerter Ladefläche und Ladebordwänden aus Eisen[BIG DECK] Version mit vergrößerter Ladefläche und Ladebordwänden aus Legierung[TOP DECK] |
| 18 | B0058835 | Hinterer linker holm | 1 | Technische Spezifikation: Version mit kippbarer Ladefläche[TIPPER] |
| 19 | B0046225 | Verschluss Längsträger links | 1 | Technische Spezifikation: Version mit vergrößerter Ladefläche und Ladebordwänden aus Eisen[BIG DECK] Version mit vergrößerter Ladefläche und Ladebordwänden aus Legierung[TOP DECK] |
| 20 | B0046065 | Verschluss Längsträger links | 1 | Technische Spezifikation: Version mit kippbarer Ladefläche[TIPPER] Version ohne Ladefläche[CHASSIS] Version mit Ladefläche und Ladebordwänden aus Eisen[PICKUP STD] |
| 21 | B0054185 | Querstrebe Getriebehalterung | 1 | Technische Spezifikation: Alle Pick-up-Versionen[PICKUP] |

| | |
|---------------------|---|
| Einheit | Fahrgestell - Plastikformteil - Karosserien |
| Code | 02.06 |
| Beschreibung | Motorhalterungen |
| Inspektion | 1 |



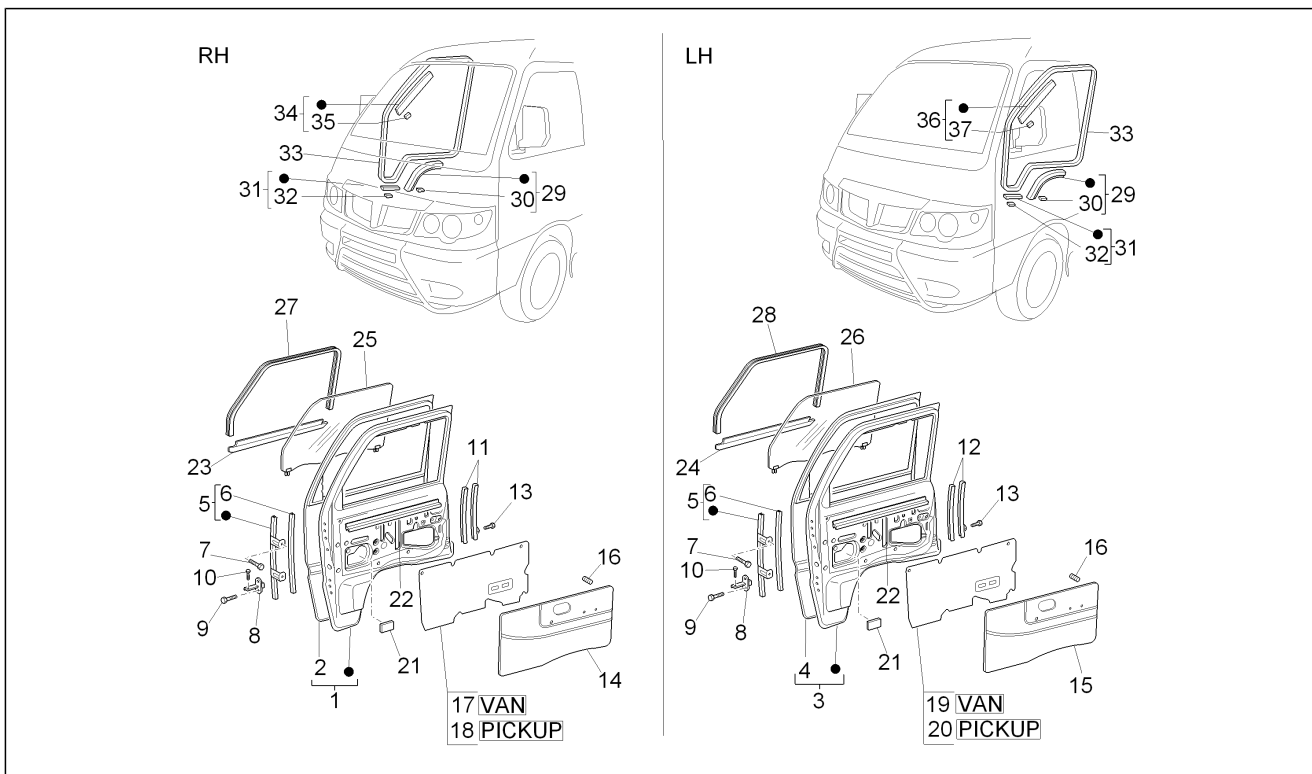
| Pos. | Code | Beschreibung | Menge | Varianten |
|------|---------------|-------------------------------------|-------|---|
| 1 | 262794 | Vordere elastische motorbefestigung | 1 | |
| 2 | B004758 | Vordere elastische motorbefestigung | 1 | |
| 3 | 262125 | Sechskantschraube M10x130 | 1 | |
| 4 | 016410 | Unterlegscheibe 17,6x11x2,5 | 1 | |
| 5 | 016626 | U.scheibe 10,4x18x2 | 1 | |
| 6 | D9004170307 | Mutter | 2 | |
| 7 | D9411041000 | Mutter | 2 | |
| 8 | 9451101000000 | Unterlegscheibe | 2 | |
| 9 | B004751 | Motorhalter | 1 | |
| 10 | D9004101431 | Sechskantschraube | 4 | |
| 11 | 9004201291000 | Unterlegscheibe | 4 | |
| 12 | 9004540073000 | Puffer | 4 | |
| 13 | D9004560252 | Distanzscheibe | 4 | |
| 14 | 9004540074000 | Puffer | 4 | |
| 15 | B023183 | Schutz unten | 1 | |
| 16 | 264462 | Flanschschrabe | 4 | |
| 17 | B005420 | Engine support | 1 | Technische Spezifikation: Kastenwagen[VAN] |
| 18 | D9165160825 | Schraubbolzen mit Unterlegscheibe | 6 | |
| 19 | B005541 | Engine support | 1 | Technische Spezifikation: Alle Pick-up-Versionen[PICKUP] |
| 20 | 889894 | Halterbügel Motor re. | 1 | |
| 21 | 873980 | TE Schr. m. Flansch M8x40 | 1 | |
| 21 | B016806 | TE Schr. m. Flansch M8x40 | 1 | |
| 22 | 655169 | TE Schr. m. Flansch | 2 | |
| 23 | 889837 | Halterbügel Motor li. | 1 | |
| 24 | 889846 | TE Schr. m. Flansch | 3 | |
| 25 | B010952 | Bügel | 1 | |
| 26 | B011032 | Schelle | 1 | |

| | |
|---------------------|---|
| Einheit | Fahrgestell - Plastikformteil - Karosserien |
| Code | 02.07 |
| Beschreibung | Vordere Türen - Scheibe |
| Inspektion | 1 |



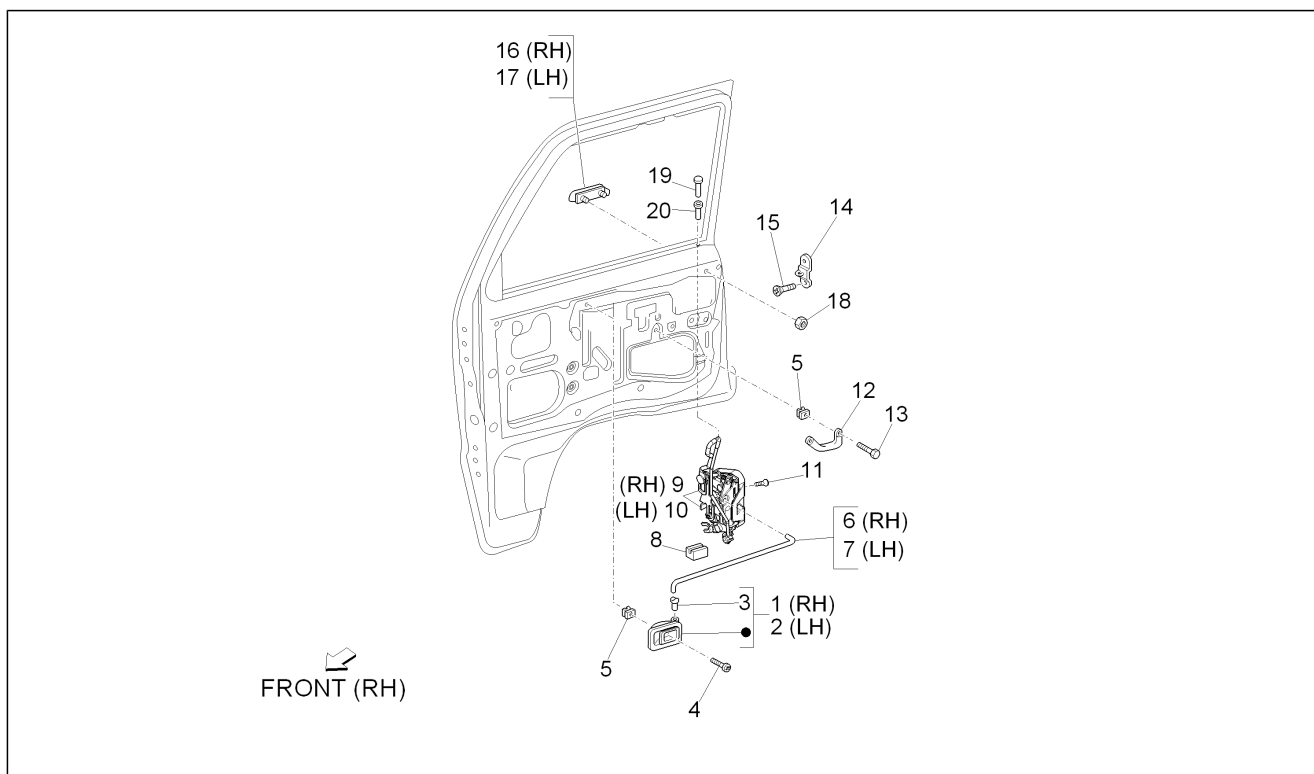
| Pos. | Code | Beschreibung | Menge | Varianten |
|------|---------------|--------------------------------|-------|---|
| 1 | 6700187Z01000 | Vordere Tür rechts | 1 | |
| 2 | 6701187Z01000 | Äußere rechte türverkleidung | 1 | |
| 3 | 6700287Z01000 | Vordere Tür links | 1 | |
| 4 | 6701287Z01000 | Äußere linke türverkleidung | 1 | |
| 5 | 6740187Z01000 | Schiene Glas | 2 | |
| 6 | 6241387Z01000 | Dichtung | 2 | |
| 7 | 9162140610000 | Schraubbolzen | 4 | |
| 8 | 6861087Z01000 | Türscharnier vorne | 1 | |
| 9 | 9162140614000 | Schraubbolzen | 4 | |
| 10 | 6861787Z01000 | Bolzen | 2 | |
| 11 | 6740387Z01000 | Fensterführung rechts | 1 | |
| 12 | 6740487Z01000 | Fensterführung links | 1 | |
| 13 | 9004119341000 | Schraubbolzen | 2 | |
| 14 | B007673 | Türverkleidung vorne rechts | 1 | |
| 15 | B007674 | Türverkleidung vorne links | 1 | |
| 16 | 6777187Z01000 | Schraube | 20 | |
| 17 | 6783187Z02000 | Innerer türschutz hintertür | 1 | Technische Spezifikation:Kastenwagen[VAN] |
| 18 | 6783187Z01000 | Innerer türschutz hintertür DX | 1 | Technische Spezifikation:Alle Pick-up-Versionen[PICKUP] |
| 19 | 6783287Z02000 | Innerer türschutz hintertür | 1 | Technische Spezifikation:Kastenwagen[VAN] |
| 20 | 6783287Z01000 | Innerer türschutz hintertür SX | 1 | Technische Spezifikation:Alle Pick-up-Versionen[PICKUP] |
| 21 | 6781187Z01000 | Puffer | 2 | |
| 22 | 260850 | Dichtung | 2 | |
| 23 | 260851 | Dichtung re | 1 | |
| 24 | 260858 | Dichtung li | 1 | |
| 25 | B007338 | Türfenster vorne rechts | 1 | |
| 26 | B007339 | Türfenster vorne links | 1 | |
| 27 | 261077 | Dichtung | 1 | |
| 28 | 261078 | Dichtung | 1 | |

| | |
|---------------------|---|
| Einheit | Fahrgestell - Plastikformteil - Karosserien |
| Code | 02.07 |
| Beschreibung | Vordere Türen - Scheibe |
| Inspektion | 1 |



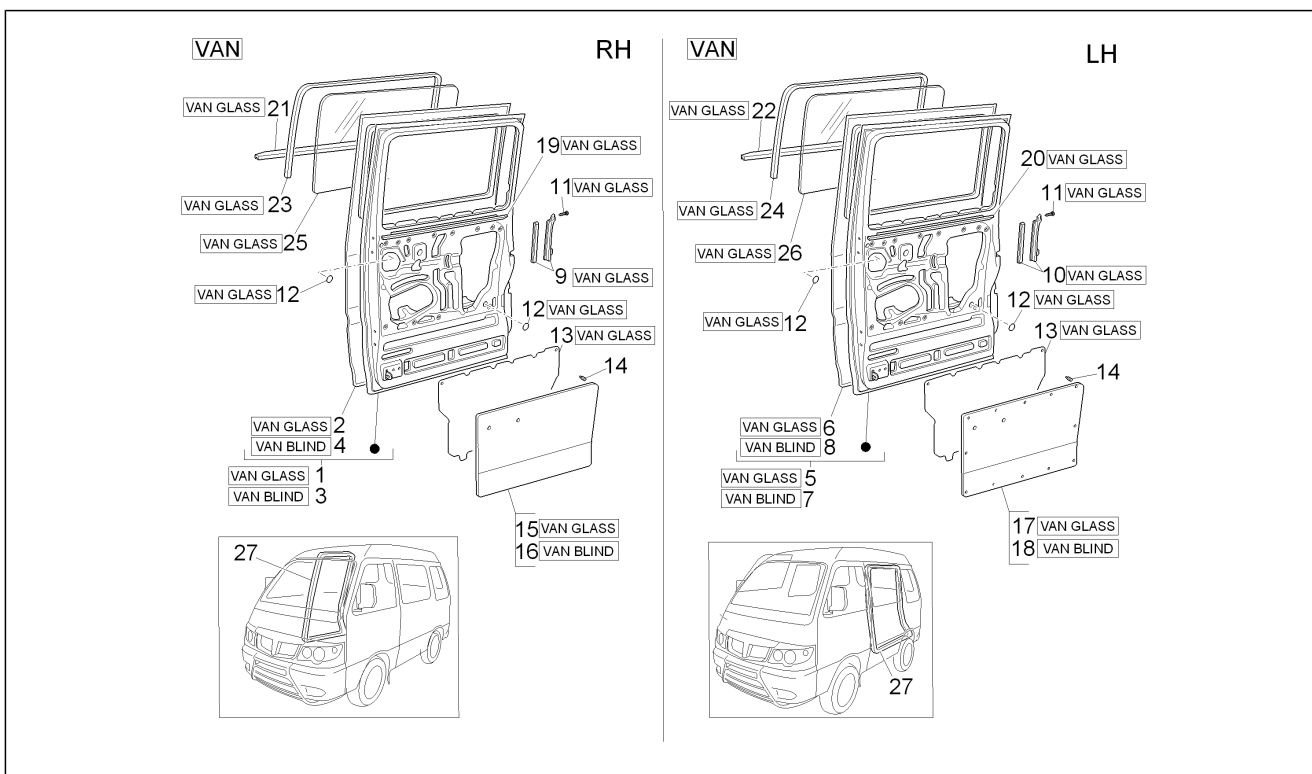
| Pos. | Code | Beschreibung | Menge | Varianten |
|------|---------------|---------------------|-------|-----------|
| 29 | 6786387503000 | Schutzleiste links | 2 | |
| 30 | 6786797211000 | Schelle | 2 | |
| 31 | 6786587504000 | Schutzleiste | 2 | |
| 32 | 6786797211000 | Schelle | 1 | |
| 33 | 6786187Z01000 | Türdichtung | 2 | |
| 34 | 6821387502000 | Schutzleiste rechts | 1 | |
| 35 | 6786887Z02000 | Schelle | 16 | |
| 36 | 6821487502000 | Schutzleiste links | 1 | |
| 37 | 6786887Z02000 | Schelle | 16 | |

| | |
|---------------------|---|
| Einheit | Fahrgestell - Plastformteil - Karosserien |
| Code | 02.08 |
| Beschreibung | Bauteile vordere Türen |
| Inspektion | 1 |



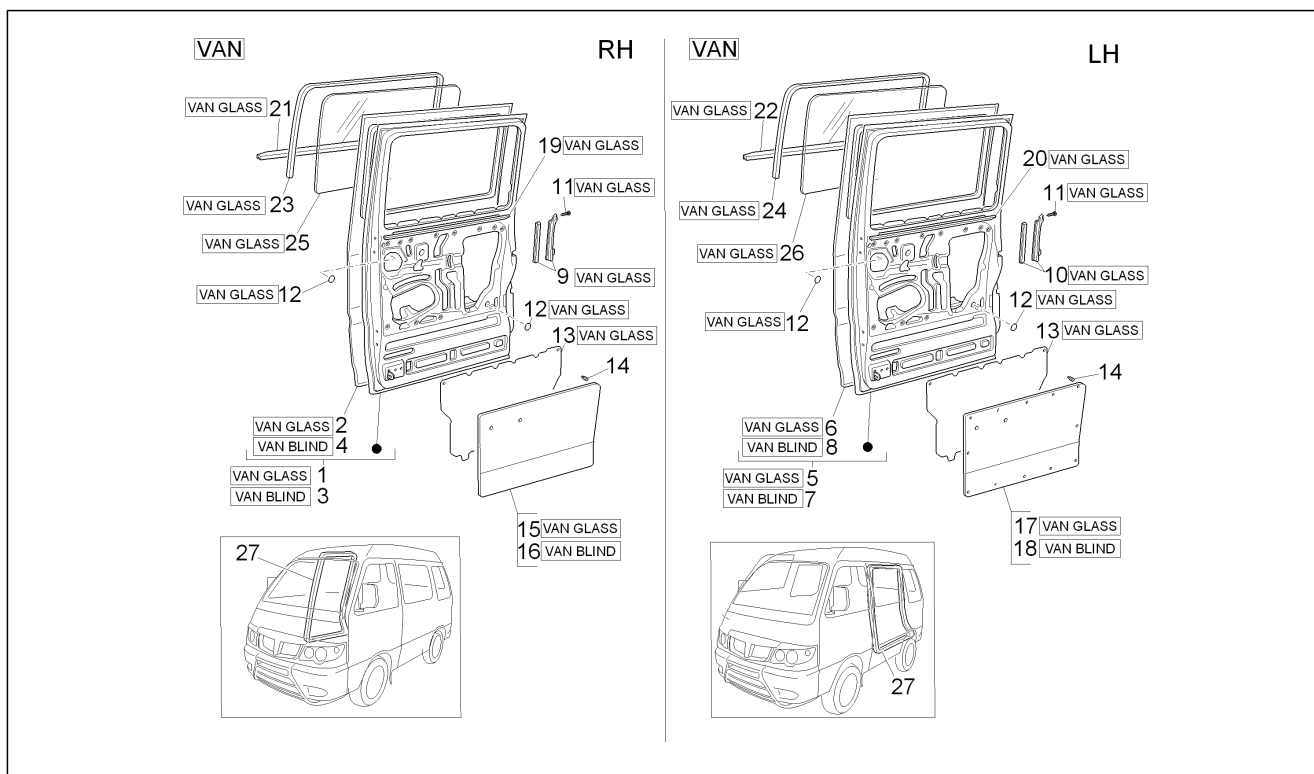
| Pos. | Code | Beschreibung | Menge | Varianten |
|------|---------------|-----------------------------------|-------|---|
| 1 | 6927087Z01000 | Türklinke innen rechte tür | 1 | Technische Spezifikation: Rechts[RH] |
| 2 | 6928087Z01000 | Türklinke innen linke tür | 1 | Technische Spezifikation: Links[LH] |
| 3 | 6927987Z01000 | Bolzen | 1 | |
| 4 | D9353055012 | Schraube | 2 | |
| 5 | D9004189019 | Kabelführung | 6 | |
| 6 | 6971187Z01000 | Zugstange türöffnung vorne rechts | 1 | Technische Spezifikation: Rechts[RH] |
| 7 | 6971287Z01000 | Zugstange türöffnung vorne links | 1 | Technische Spezifikation: Links[LH] |
| 8 | 6975987Z01000 | Puffer | 2 | |
| 9 | B0042833 | Türschloss vorne rechts | 1 | Technische Spezifikation: Rechts[RH] |
| 10 | B0042843 | Türschloss vorne links | 1 | Technische Spezifikation: Links[LH] |
| 11 | D9004159188 | Sechskantschraube | 6 | |
| 12 | 7481187Z01030 | Türklinke vordertür | 2 | |
| 13 | 9354056020000 | Schraube | 4 | |
| 14 | 662510 | Fixierplatte | 2 | |
| 15 | 9004151029000 | Schraube | 4 | |
| 16 | 6921087Z01000 | Türklinke außen rechte tür | 1 | Technische Spezifikation: Rechts[RH] |
| 17 | 6922087Z01000 | Türklinke außen linke tür | 1 | Technische Spezifikation: Links[LH] |
| 18 | 261323 | Mutter | 4 | |
| 19 | 6974787Z01000 | Sperrknopf türverschuß | 2 | |
| 20 | D9004480352 | Kabelführung | 2 | |

| | |
|---------------------|---|
| Einheit | Fahrgestell - Plastformteil - Karosserien |
| Code | 02.09 |
| Beschreibung | Hintere Türen - Scheibe |
| Inspektion | 1 |



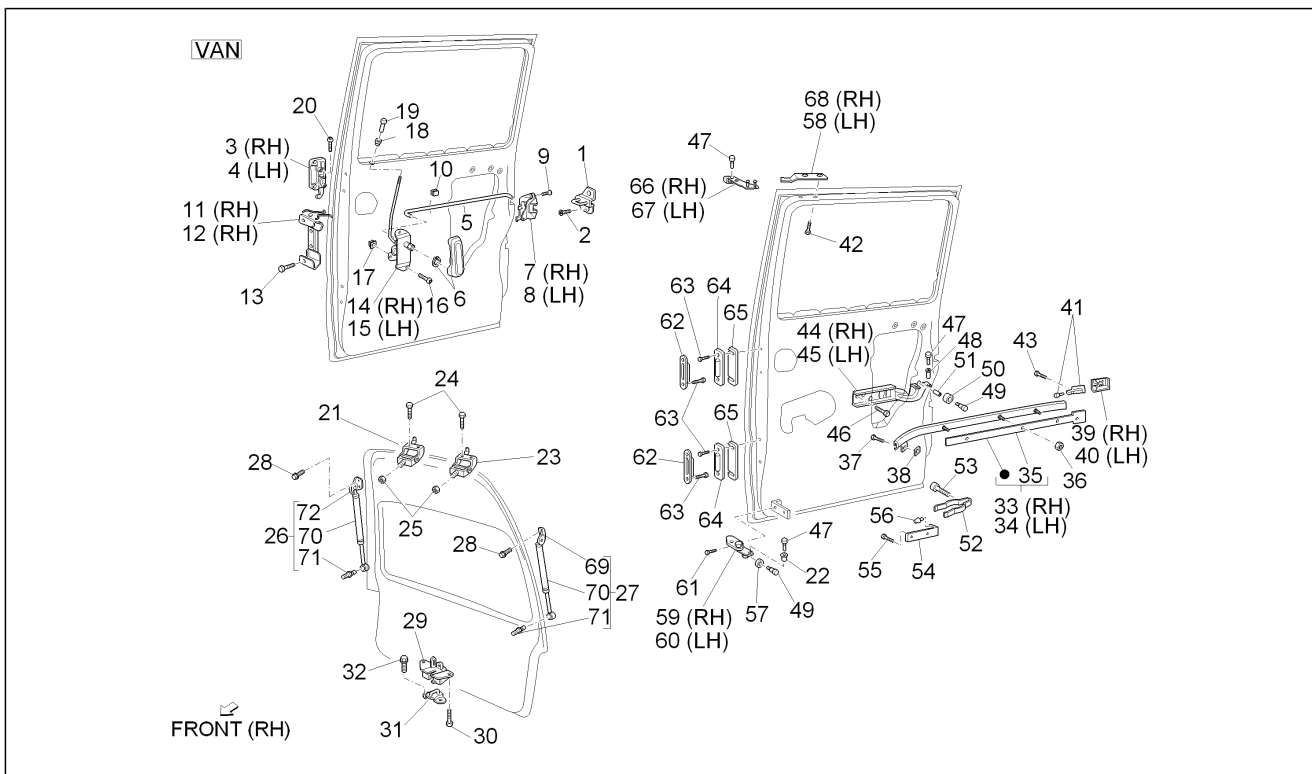
| Pos. | Code | Beschreibung | Menge | Varianten |
|------|---------------|------------------------------|-------|---|
| 1 | 2611165 | Tafel | 1 | Technische Spezifikation: Kastenwagen mit Fenstern[VAN GLASS] |
| 2 | 6711387Z02000 | Äußere rechte türverkleidung | 1 | Technische Spezifikation: Kastenwagen mit Fenstern[VAN GLASS] |
| 3 | 6700387Z01000 | Rechte Tür | 1 | Technische Spezifikation: Geschlossener Kastenwagen[VAN BLIND] |
| 4 | 6711387Z01000 | Äußere rechte türverkleidung | 1 | Technische Spezifikation: Geschlossener Kastenwagen[VAN BLIND] |
| 5 | 6700487Z02000 | Linke Tür | 1 | Technische Spezifikation: Kastenwagen mit Fenstern[VAN GLASS] |
| 6 | 6711487Z02000 | Äußere linke türverkleidung | 1 | Technische Spezifikation: Kastenwagen mit Fenstern[VAN GLASS] |
| 7 | 6700487Z01000 | Linke Tür | 1 | Technische Spezifikation: Geschlossener Kastenwagen[VAN BLIND] |
| 8 | 6711487Z01000 | Äußere linke türverkleidung | 1 | Technische Spezifikation: Geschlossener Kastenwagen[VAN BLIND] |
| 9 | 6740787Z01000 | Tüführung hinten rechts | 1 | Technische Spezifikation: Kastenwagen mit Fenstern[VAN GLASS] |
| 10 | 6740887Z01000 | Tüführung hinten links | 1 | Technische Spezifikation: Kastenwagen mit Fenstern[VAN GLASS] |
| 11 | 9004119260000 | Schraubbolzen | 4 | Technische Spezifikation: Kastenwagen mit Fenstern[VAN GLASS] |
| 12 | 9004874031000 | Deckel OD=40 | 6 | Technische Spezifikation: Kastenwagen mit Fenstern[VAN GLASS] |
| 13 | 6784187Z01000 | Innenschutz tür | 2 | Technische Spezifikation: Kastenwagen mit Fenstern[VAN GLASS] |
| 14 | 6777187Z01000 | Schraube | 26 | |
| 15 | B007675 | Schiebetürverkleidung rechts | 1 | Technische Spezifikation: Kastenwagen mit Fenstern[VAN GLASS] |
| 16 | B004495 | Schiebetürverkleidung rechts | 1 | Technische Spezifikation: Geschlossener Kastenwagen[VAN BLIND] |

| | |
|---------------------|---|
| Einheit | Fahrgestell - Plastikformteil - Karosserien |
| Code | 02.09 |
| Beschreibung | Hinterere Türen - Scheibe |
| Inspektion | 1 |



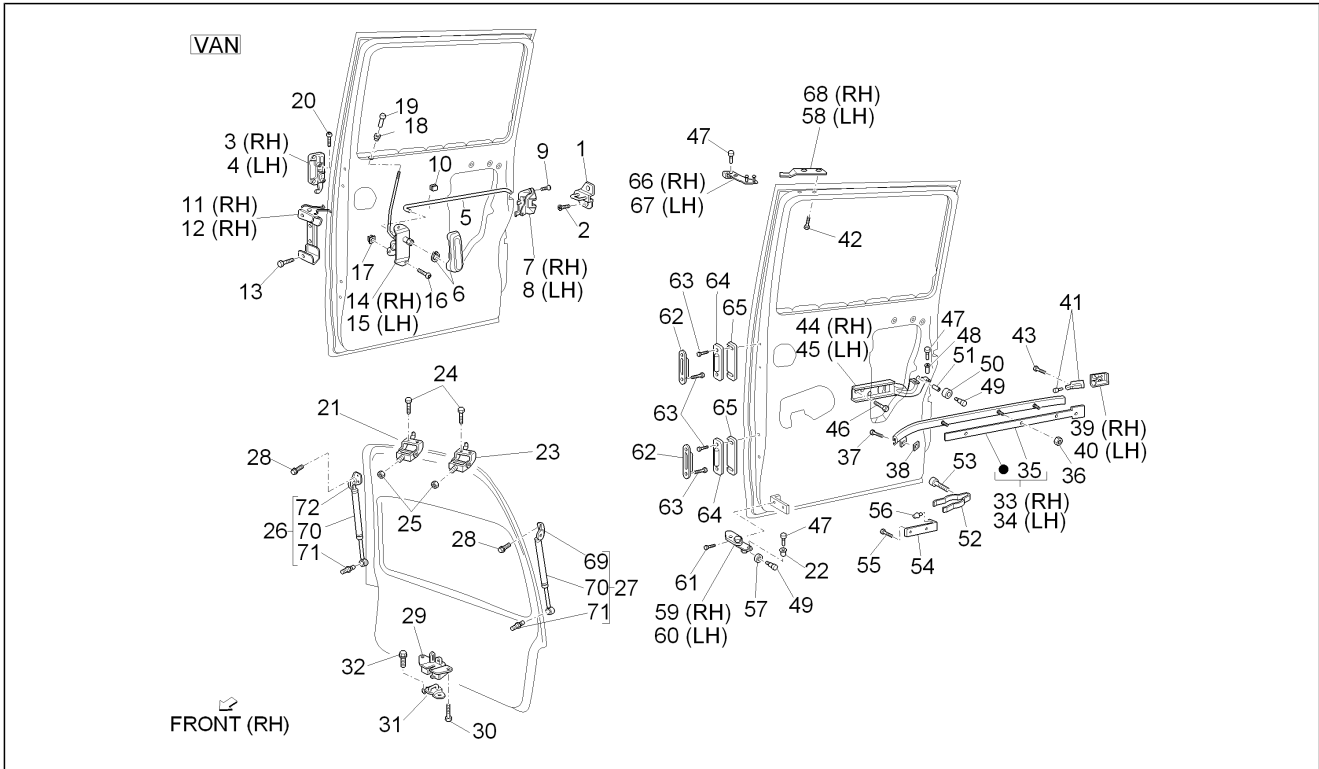
| Pos. | Code | Beschreibung | Menge | Varianten |
|------|---------------|----------------------------------|-------|---|
| 17 | B007676 | Schiebetürverkleidung links | 1 | Technische Spezifikation: Kastenwagen mit Fenstern[VAN GLASS] |
| 18 | B004496 | Schiebetürverkleidung links | 1 | Technische Spezifikation: Geschlossener Kastenwagen[VAN BLIND] |
| 19 | 260849 | Dichtung | 1 | Technische Spezifikation: Kastenwagen mit Fenstern[VAN GLASS] |
| 20 | 260856 | Dichtung | 1 | Technische Spezifikation: Kastenwagen mit Fenstern[VAN GLASS] |
| 21 | 260852 | Dichtung | 1 | Technische Spezifikation: Kastenwagen mit Fenstern[VAN GLASS] |
| 22 | 260857 | Dichtung äußere fensternut | 1 | Technische Spezifikation: Kastenwagen mit Fenstern[VAN GLASS] |
| 23 | 261081 | Fensterdichtung rechte hintertür | 1 | Technische Spezifikation: Kastenwagen mit Fenstern[VAN GLASS] |
| 24 | 261082 | Fensterdichtung linke hintertür | 1 | Technische Spezifikation: Kastenwagen mit Fenstern[VAN GLASS] |
| 25 | B007340 | Türfenster hinten rechts | 1 | Technische Spezifikation: Kastenwagen mit Fenstern[VAN GLASS] |
| 26 | B007341 | Türfenster hinten links | 1 | Technische Spezifikation: Kastenwagen mit Fenstern[VAN GLASS] |
| 27 | 6787187Z01000 | Türdichtung hinten | 2 | |

| | |
|---------------------|---|
| Einheit | Fahrgestell - Plastikformteil - Karosserien |
| Code | 02.10 |
| Beschreibung | Komponenten der Türen hinten |
| Inspektion | 1 |



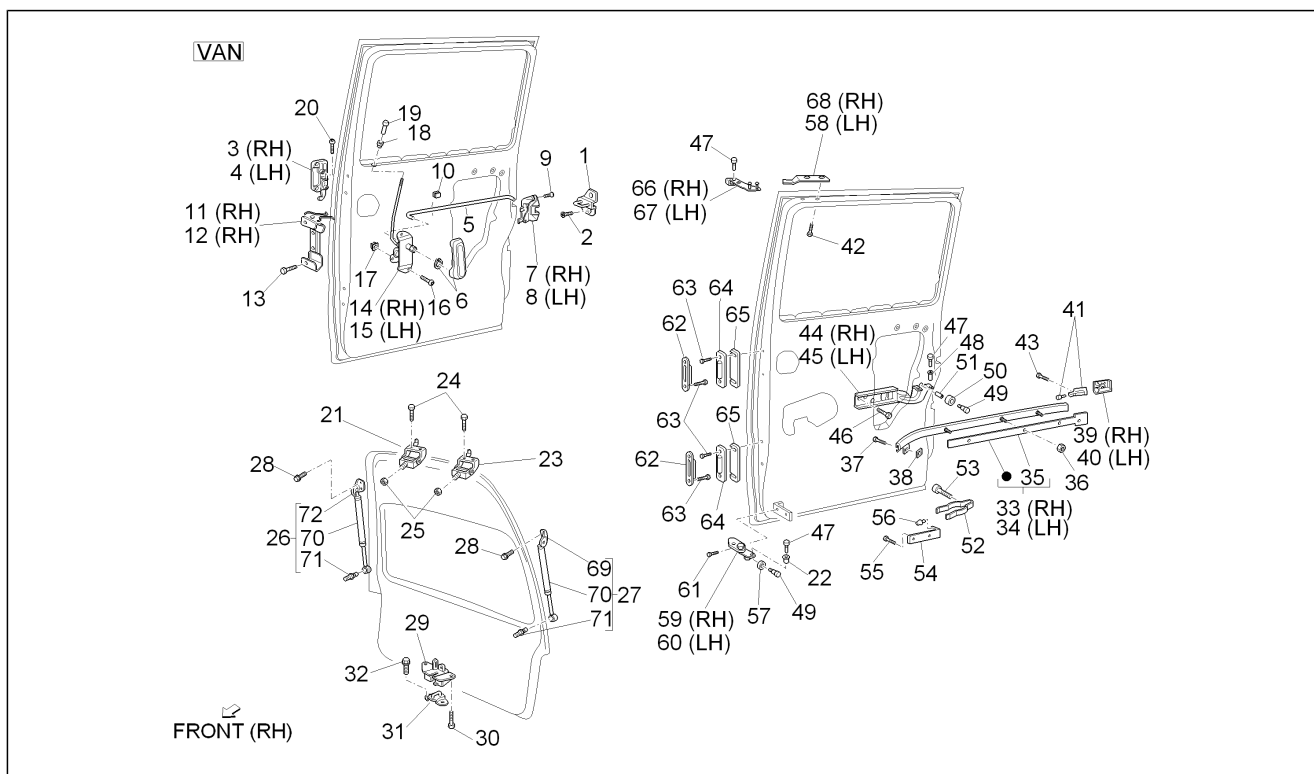
| Pos. | Code | Beschreibung | Menge | Varianten |
|------|---------------|----------------------------|-------|--|
| 1 | B005018 | Platte | 2 | |
| 2 | 9004151029000 | Schraube | 4 | |
| 3 | B005335 | Türklinke außen rechte tür | 1 | Technische Spezifikation:Rechts[RH] |
| 4 | B005336 | Türklinke außen linke tür | 1 | Technische Spezifikation:Links[LH] |
| 5 | 6971387Z01000 | Spannstange | 2 | |
| 6 | 6927287Z01030 | Griff | 2 | |
| 7 | B005014 | Türschloss rechts | 1 | Technische Spezifikation:Rechts[RH] |
| 8 | B005015 | Türschloss links | 1 | Technische Spezifikation:Links[LH] |
| 9 | D9004159188 | Sechskantschraube | 6 | |
| 10 | 6975987Z01000 | Puffer | 2 | |
| 11 | 6973087Z01000 | Verbindung türschloß | 1 | Technische Spezifikation:Rechts[RH] |
| 12 | 6974087Z01000 | Verbindung türschloß | 1 | Technische Spezifikation:Links[LH] |
| 13 | 9004119341000 | Schraubbolzen | 4 | |
| 14 | B005020 | Schlossbetätigung | 1 | |
| 15 | B005021 | Türschliessung | 1 | |
| 16 | D9354016012 | Sechskantschraube | 4 | |
| 17 | D9004189019 | Kabelführung | 4 | |
| 18 | 6974787Z01000 | Sperrknopf türverschluss | 2 | |
| 19 | D9004480352 | Kabelführung | 2 | |
| 20 | D9338116008 | TBEI Schraube | 4 | |
| 21 | 6880187Z02000 | Scharnier rechts | 1 | |
| 22 | 6833287Z01000 | Buchse | 2 | |
| 23 | 6880187Z01000 | Scharnier links | 1 | |
| 24 | 9165140816000 | Schraube | 4 | |
| 25 | 261321 | Geflanschte Mutter | 2 | |
| 26 | 6895087Z82000 | Feder rechts | 1 | |
| 27 | 6896087Z82000 | Feder links | 1 | |
| 28 | D9161160614 | Flanschschraube | 4 | |

| | |
|---------------------|---|
| Einheit | Fahrgestell - Plastformteil - Karosserien |
| Code | 02.10 |
| Beschreibung | Komponenten der Türen hinten |
| Inspektion | 1 |



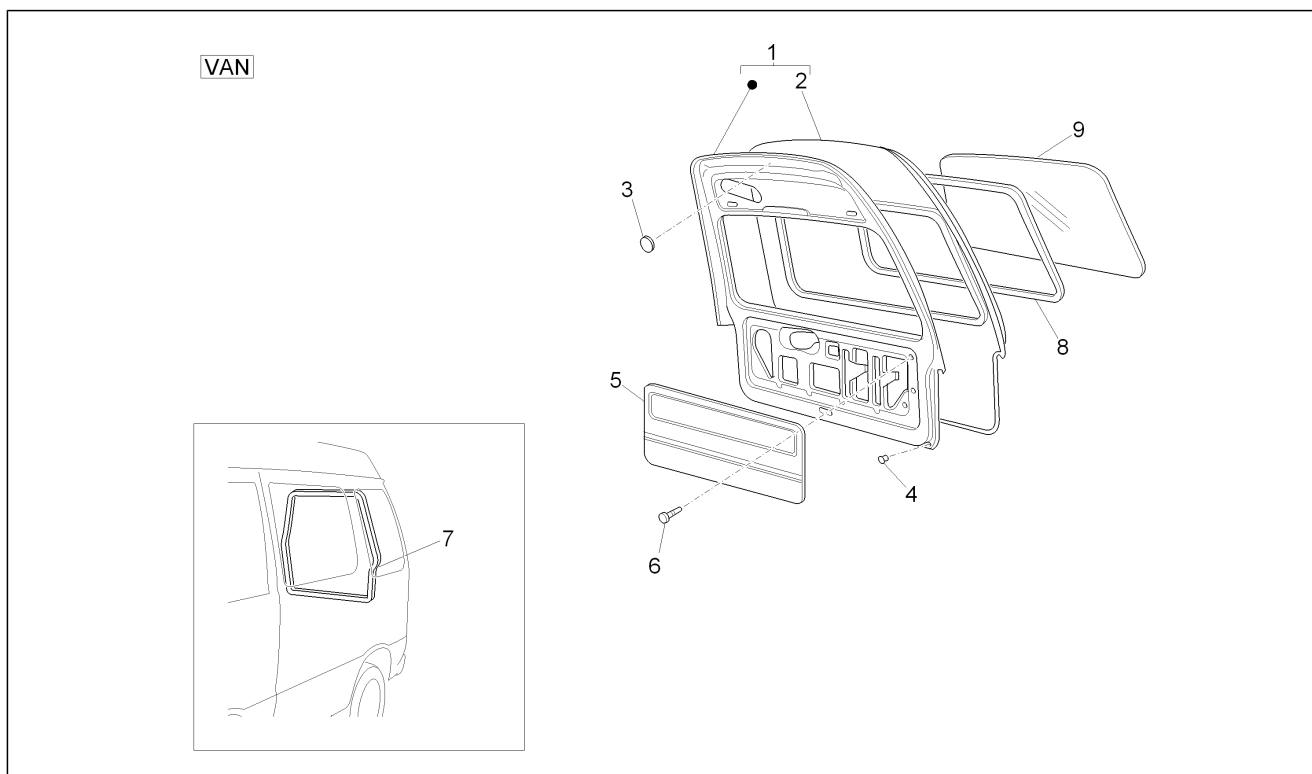
| Pos. | Code | Beschreibung | Menge | Varianten |
|------|---------------|----------------------------|-------|--|
| 29 | B005016 | Türschloß hintertür | 1 | |
| 30 | D9161140612 | Sechskantschraube | 2 | |
| 31 | B005017 | Befestigungsplatte Schloss | 1 | |
| 32 | D9004159295 | Flanschschraube | 2 | |
| 33 | 6180787Z01000 | Türführung hinten rechts | 1 | Technische Spezifikation:Rechts[RH] |
| 34 | 6180887Z01000 | Türführung hinten links | 1 | Technische Spezifikation:Links[LH] |
| 35 | 6182787Z01000 | Dichtung | 1 | |
| 36 | 261323 | Mutter | 6 | |
| 37 | 9162140614000 | Schraubbolzen | 2 | |
| 38 | 6837787Z01000 | Platte | 2 | |
| 39 | 7565187Z01000 | Führungsabdeckung | 1 | Technische Spezifikation:Rechts[RH] |
| 40 | 7565287Z01000 | Führungsabdeckung | 1 | Technische Spezifikation:Links[LH] |
| 41 | 6183987Z01000 | Befestigung türführung | 2 | |
| 42 | D9162140816 | Schraubbolzen | 4 | |
| 43 | D9161140614 | Schraubbolzen | 4 | |
| 44 | 6838087Z01000 | Türscharnier seitentür DX | 1 | Technische Spezifikation:Rechts[RH] |
| 45 | 6839087Z01000 | Türscharnier SX | 1 | Technische Spezifikation:Links[LH] |
| 46 | 9004119383000 | Flanschschraube | 4 | |
| 47 | 9004241105000 | Bolzen | 4 | |
| 48 | 6833487Z01000 | Buchse | 4 | |
| 49 | 9004241106000 | Bolzen | 4 | |
| 50 | 261355 | Kugellager | 2 | |
| 51 | 9004560155000 | Distanzscheibe | 2 | |
| 52 | 6832687Z01000 | Feder | 2 | |
| 53 | D9338515010 | Sechskantschraube | 2 | |
| 54 | 6941687Z01000 | Winkel | 2 | |
| 55 | D9162160620 | TE Schr. m. Flansch | 4 | |
| 56 | 6941987Z01000 | Puffer | 2 | |

| | |
|---------------------|---|
| Einheit | Fahrgestell - Plastikformteil - Karosserien |
| Code | 02.10 |
| Beschreibung | Komponenten der Türen hinten |
| Inspektion | 1 |



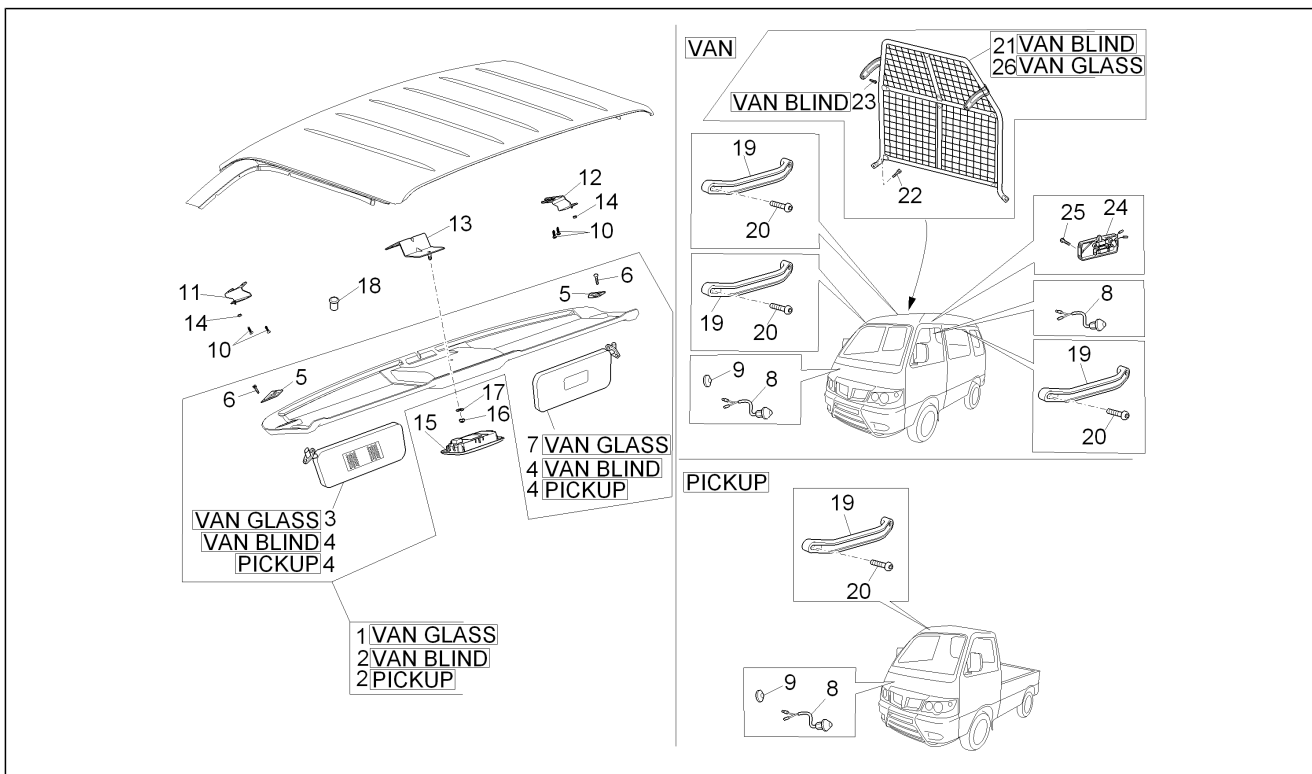
| Pos. | Code | Beschreibung | Menge | Varianten |
|------|---------------|---------------------------|-------|---|
| 57 | B005029 | Radiallager | 2 | |
| 58 | 6851787Z01000 | Obere platte links | 1 | Technische Spezifikation: Links[LH] |
| 59 | 6803787Z01000 | Arm unten re | 1 | Technische Spezifikation: Rechts[RH] |
| 60 | 6803887Z01000 | Arm unten li | 1 | Technische Spezifikation: Links[LH] |
| 61 | D9166160820 | TE Schr. m. Flansch | 4 | |
| 62 | 6941487Z01000 | Türsperre | 4 | |
| 63 | D9166140616 | Sechskantschraube | 16 | |
| 64 | 6941387Z01000 | Türsperre | 4 | |
| 65 | 6941887Z01000 | Platte | 4 | |
| 66 | 6803187Z01000 | Rechter Schutzblecharm | 1 | Technische Spezifikation: Rechts[RH] |
| 67 | 6803287Z01000 | Arm links | 1 | Technische Spezifikation: Links[LH] |
| 68 | 6831787Z01000 | Obere platte rechts | 1 | Technische Spezifikation: Rechts[RH] |
| 69 | D6896087Z035 | Bügel für Gasfeder links | 1 | |
| 70 | 56605R | Gasfeder | 2 | |
| 71 | 56607R | Zapfen Gasfeder | 2 | |
| 72 | D6895087Z035 | Bügel für Gasfeder rechts | 1 | |

| | |
|---------------------|---|
| Einheit | Fahrgestell - Plastformteil - Karosserien |
| Code | 02.11 |
| Beschreibung | Hintere Klappe - Scheibe |
| Inspektion | 1 |



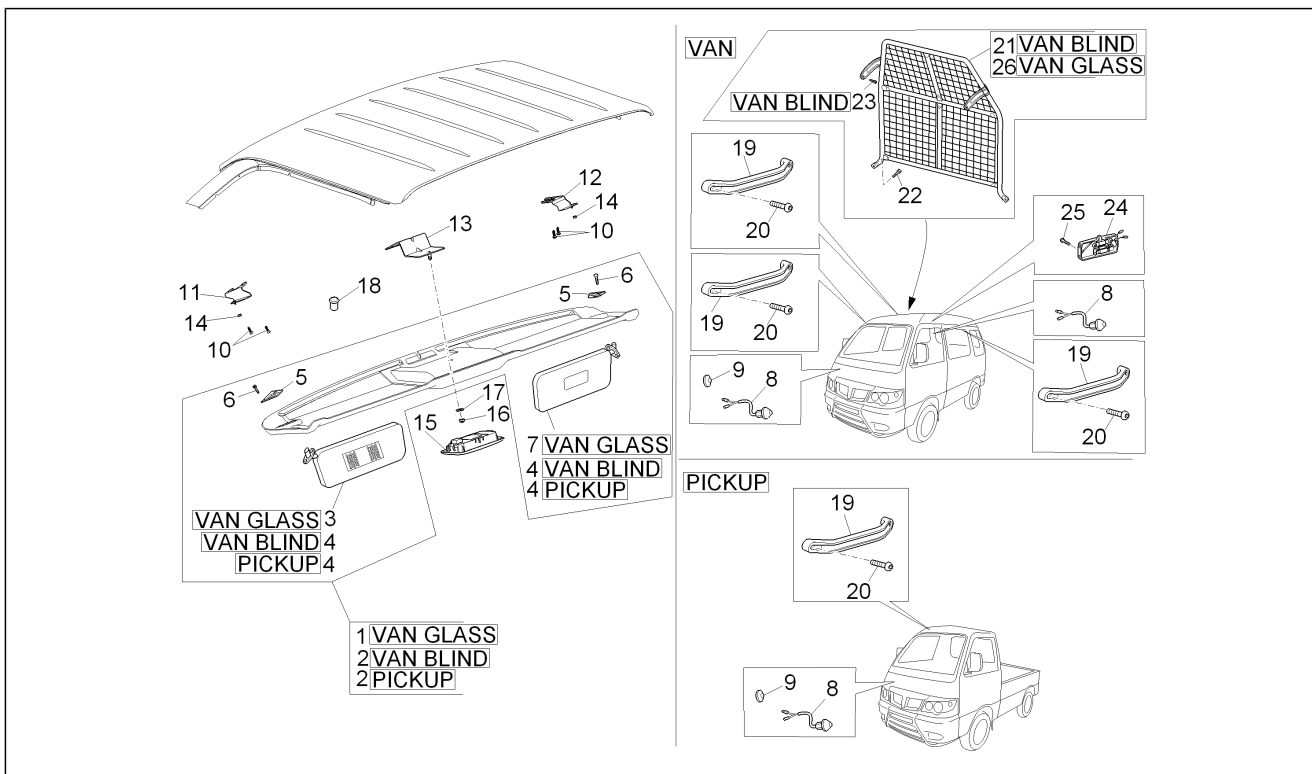
| Pos. | Code | Beschreibung | Menge | Varianten |
|------|---------------|-------------------------------|-------|---|
| 1 | 6700587Z01000 | | 1 | Technische Spezifikation:Kastenwagen[VAN] |
| 1 | 1E0011015 | | 1 | Technische Spezifikation:Kastenwagen[VAN] |
| 2 | 6711587Z01000 | Äußere hintere türverkleidung | 1 | Technische Spezifikation:Kastenwagen[VAN] |
| 3 | 9004874031000 | Deckel OD=40 | 1 | Technische Spezifikation:Kastenwagen[VAN] |
| 4 | 9004541138000 | Puffer | 4 | Technische Spezifikation:Kastenwagen[VAN] |
| 5 | B004500 | Paneel innen hinten | 1 | Technische Spezifikation:Kastenwagen[VAN] |
| 6 | 6777187Z01000 | Schraube | 15 | Technische Spezifikation:Kastenwagen[VAN] |
| 7 | 6788187Z01000 | Türdichtung hinten | 1 | Technische Spezifikation:Kastenwagen[VAN] |
| 8 | 6829187Z01000 | Fensterdichtung hinten | 1 | Technische Spezifikation:Kastenwagen[VAN] |
| 9 | B007332 | Türfenster hintertür | 1 | Technische Spezifikation:Kastenwagen[VAN] |
| 9 | 1E001190 | Scheibe Heckklappe | 1 | Technische Spezifikation:Kastenwagen[VAN] |

| | |
|---------------------|---|
| Einheit | Fahrgestell - Plastikformteil - Karosserien |
| Code | 02.13 |
| Beschreibung | Kabinenbauteile |
| Inspektion | 1 |



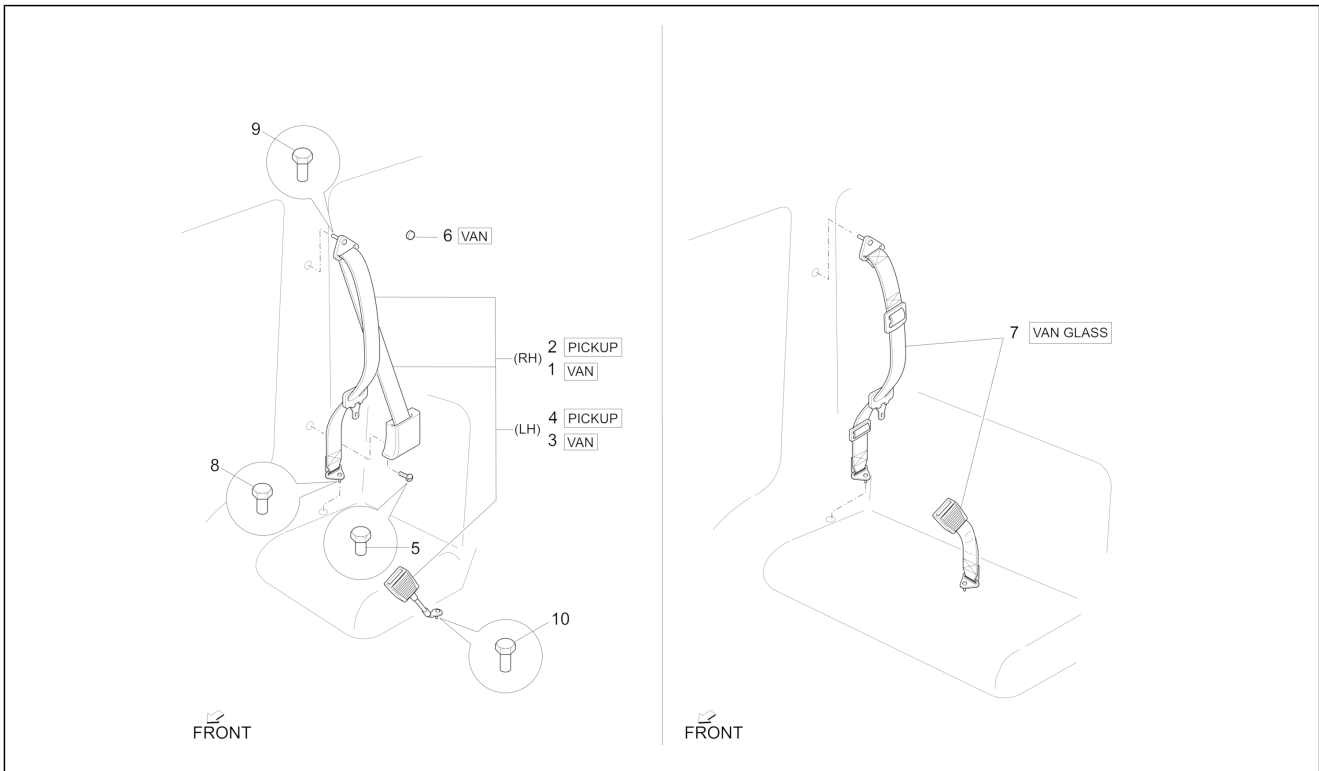
| Pos. | Code | Beschreibung | Menge | Varianten |
|------|---------------|---------------------------------|-------|--|
| 1 | B005505 | Gepäckablage mit Tasche | 1 | Technische Spezifikation: Kastenwagen mit Fenstern[VAN GLASS] |
| 2 | B005325 | Ablagefläche | 1 | Technische Spezifikation: Geschlossener Kastenwagen[VAN BLIND] Alle Pick-up-Versionen[PICKUP] |
| 3 | 261425 | Linker sonnenschutz | 1 | Technische Spezifikation: Kastenwagen mit Fenstern[VAN GLASS] |
| 4 | 7431087Z02030 | Sonnenblenden | 2 | Technische Spezifikation: Geschlossener Kastenwagen[VAN BLIND] Alle Pick-up-Versionen[PICKUP] |
| 5 | B004564 | Platte | 2 | |
| 6 | 015900 | Blechschrabe | 4 | |
| 7 | 261424 | Sonnenblende rechts mit Spiegel | 2 | Technische Spezifikation: Kastenwagen mit Fenstern[VAN GLASS] |
| 8 | 8423087504000 | Schalter Innenraumbeleuchtung | 2 | |
| 9 | D9004874004 | Deckel | 1 | |
| 10 | 9004168057000 | Schraube | 8 | |
| 11 | B004570 | Linkes bügel | 1 | |
| 12 | B004571 | Rechtes bügel | 1 | |
| 13 | B005658 | Mittlerer bügel | 1 | |
| 14 | 241937 | Mutter, selbstsichernd M5 | 2 | |
| 15 | B004262 | Innenraumleuchte | 1 | |
| 16 | 709116 | Mutter | 1 | |
| 17 | 013880 | Flachscheibe 16x6,5x1,5 | 1 | |
| 18 | B004629 | Verschlusschraube | 2 | |
| 19 | 7461787Z01030 | Griff | 3 | |
| 20 | D9004159110 | Sechskantschraube | 6 | |
| 21 | 6427087Z01000 | Schutz | 1 | Technische Spezifikation: Geschlossener Kastenwagen[VAN BLIND] |
| 22 | 9004159377000 | Schraube | 4 | |
| 23 | D9331536016 | Flanschschraube | 2 | Technische Spezifikation: Geschlossener Kastenwagen[VAN BLIND] |

| | |
|---------------------|---|
| Einheit | Fahrgestell - Plastformteil - Karosserien |
| Code | 02.13 |
| Beschreibung | Kabinenbauteile |
| Inspektion | 1 |



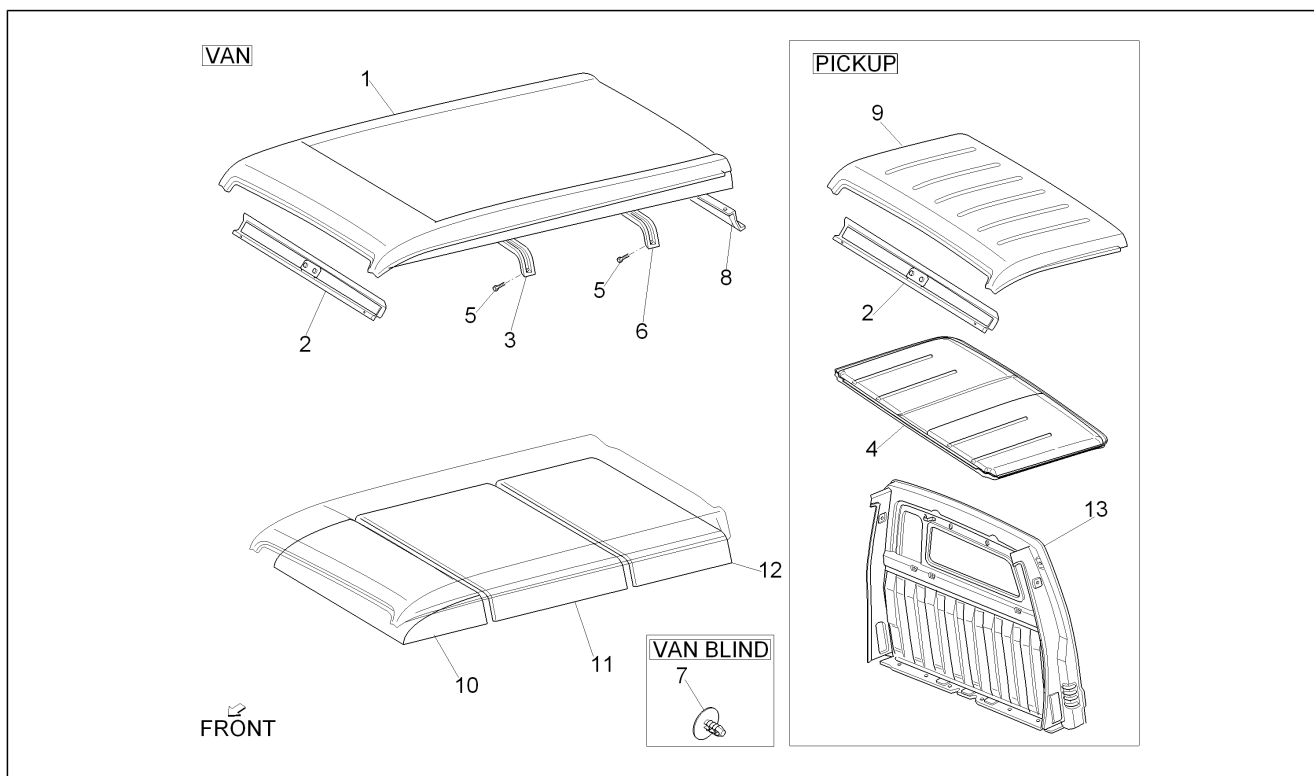
| Pos. | Code | Beschreibung | Menge | Varianten |
|------|---------------|----------------------|-------|--|
| 24 | 8124087Z01000 | Innenraumleuchte | 1 | |
| 25 | D9351014020 | Befestigungsschraube | 2 | |
| 26 | 260831 | Schutz | 1 | Technische Spezifikation: Kastenwagen mit Fenstern[VAN GLASS] |

| | |
|---------------------|---|
| Einheit | Fahrgestell - Plastikformteil - Karosserien |
| Code | 02.14 |
| Beschreibung | Sicherheitsgurte |
| Inspektion | 1 |



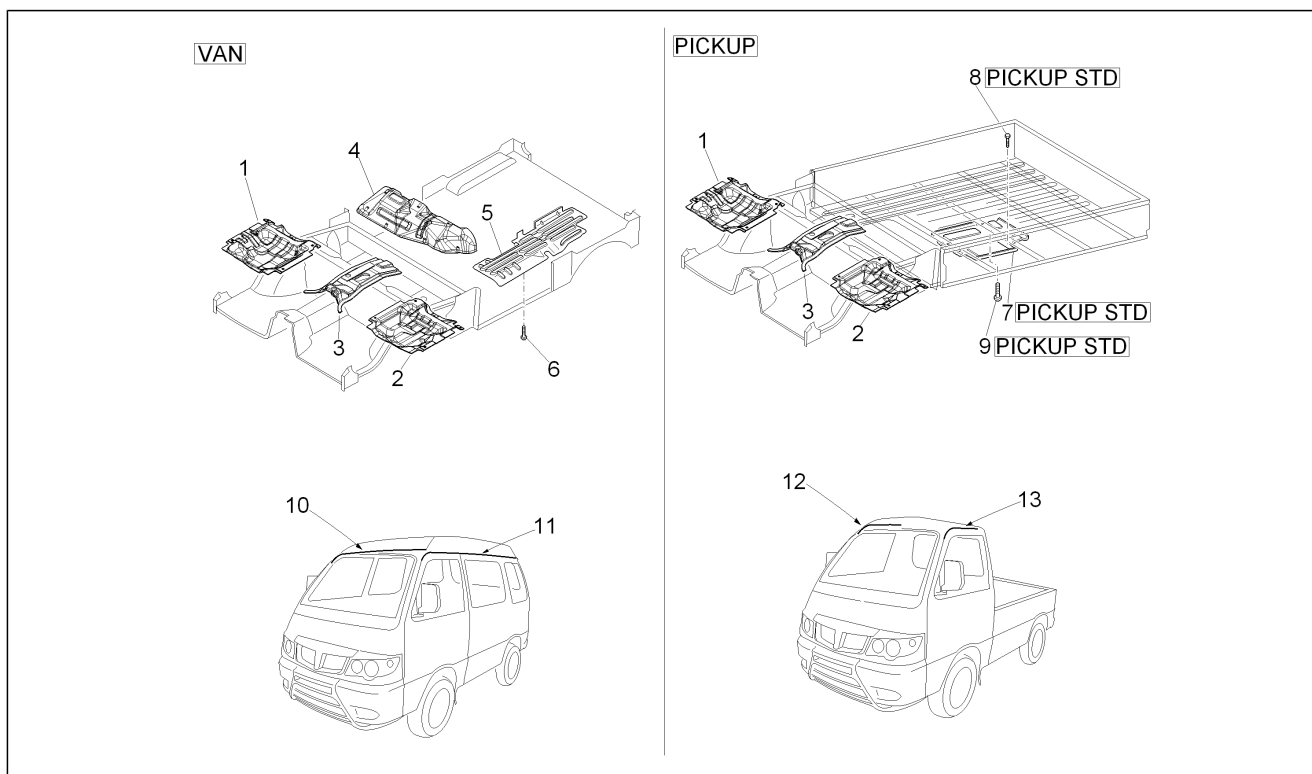
| Pos. | Code | Beschreibung | Menge | Varianten |
|------|---------------|---|-------|--|
| 1 | 56530R | Sicherheitsgurt DX | 1 | Technische Spezifikation: Rechts[RH] Kastenwagen[VAN] |
| 2 | 56535R | Sicherheitsgurt DX | 1 | Technische Spezifikation: Rechts[RH] Alle Pick-up-Versionen[PICKUP] |
| 3 | 56531R | Sicherheitsgurt SX | 1 | Technische Spezifikation: Links[LH] Kastenwagen[VAN] |
| 4 | 56536R | Sicherheitsgurt SX | 1 | Technische Spezifikation: Links[LH] Alle Pick-up-Versionen[PICKUP] |
| 5 | 850672 | Schraubbolzen TE L=20 mm 7/16" ZNB Fe/Zn 7 IV | 2 | |
| 6 | 9004871062000 | Deckel D20 | 4 | Technische Spezifikation: Kastenwagen[VAN] |
| 7 | 56538R | Sicherheitsgurt | 2 | Technische Spezifikation: Kastenwagen mit Fenstern[VAN GLASS] |
| 8 | 850670 | Schraubbolzen TE L=25 mm 7/16" ZNB Fe/Zn 7 IV | 4 | |
| 9 | 850671 | Schraubbolzen TE L=31 mm 7/16" ZNB Fe/Zn 7 IV | 4 | |
| 10 | 850669 | Schraubbolzen TE L=30 mm 7/16" ZNB Fe/Zn 7 IV | 4 | |

| | |
|---------------------|---|
| Einheit | Fahrgestell - Plastikformteil - Karosserien |
| Code | 02.15 |
| Beschreibung | Dachpaneel |
| Inspektion | 1 |



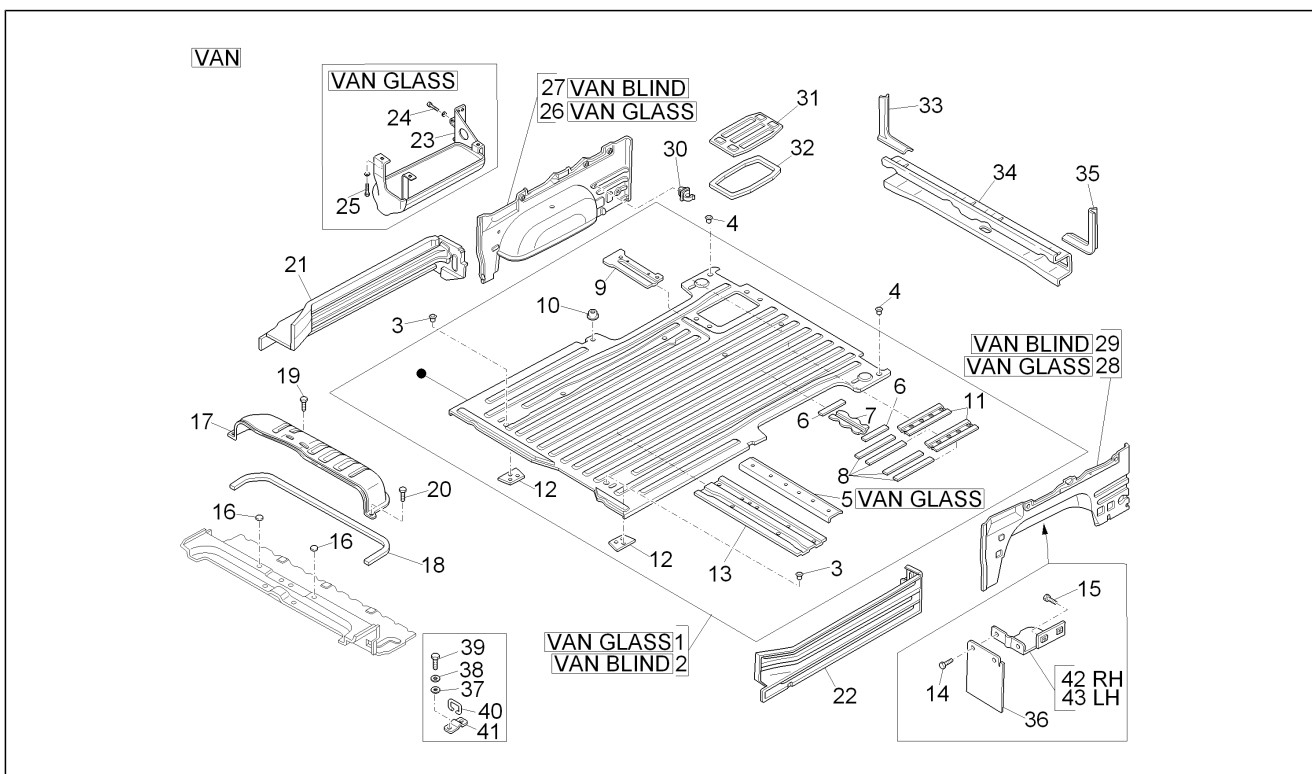
| Pos. | Code | Beschreibung | Menge | Varianten |
|------|---------------|--------------------------|-------|--|
| 1 | 6311187Z02000 | Dachverkleidung | 1 | Technische Spezifikation: Kastenwagen[VAN] |
| 2 | 6313287Z01000 | Innere verkleidung | 1 | Technische Spezifikation: Kastenwagen[VAN] Alle Pick-up-Versionen[PICKUP] |
| 3 | B0078245 | Spiegel | 1 | Technische Spezifikation: Kastenwagen[VAN] |
| 4 | B007233 | Verkleidung | 1 | Technische Spezifikation: Alle Pick-up-Versionen[PICKUP] |
| 5 | D9004159292 | Flanschschraube | 4 | Technische Spezifikation: Kastenwagen[VAN] |
| 6 | B0078255 | Spiegel | 1 | Technische Spezifikation: Kastenwagen[VAN] |
| 7 | 230648 | Knopf | 1 | Technische Spezifikation: Geschlossener Kastenwagen[VAN BLIND] |
| 8 | 6313487Z01000 | Traverse, oben | 1 | Technische Spezifikation: Kastenwagen[VAN] |
| 9 | 6311187Z01000 | Dachverkleidung | 1 | Technische Spezifikation: Alle Pick-up-Versionen[PICKUP] |
| 10 | B007226 | Kabinenhimmel | 1 | Technische Spezifikation: Kastenwagen[VAN] |
| 11 | B007227 | Kabinenhimmel | 1 | Technische Spezifikation: Kastenwagen[VAN] |
| 12 | B007228 | Kabinenhimmel | 1 | Technische Spezifikation: Kastenwagen[VAN] |
| 13 | B007232 | Paneelverkleidung hinten | 1 | Technische Spezifikation: Kastenwagen[VAN] |

| | |
|---------------------|---|
| Einheit | Fahrgestell - Plastformteil - Karosserien |
| Code | 02.16 |
| Beschreibung | Isolierpaneele - Zierleisten |
| Inspektion | 1 |



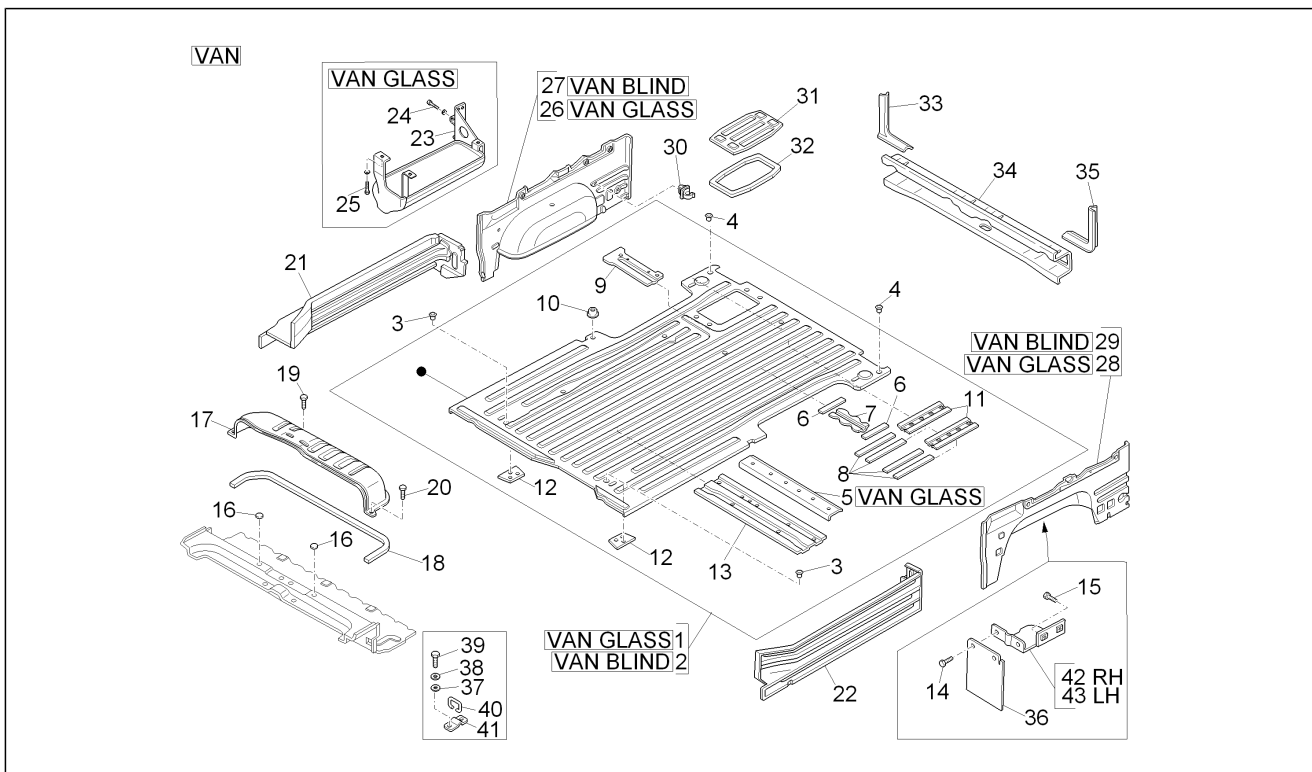
| Pos. | Code | Beschreibung | Menge | Varianten |
|------|---------------|------------------------------|-------|---|
| 1 | B007229 | Isolierung unter Sitz rechts | 1 | |
| 2 | B007230 | Isolierung unter Sitz links | 1 | |
| 3 | B007231 | Isolierung unter Sitz Mitte | 1 | |
| 3 | CM040901 | Isolierung unter Sitz Mitte | 1 | Technische Spezifikation: Alle Pick-up-Versionen[PICKUP] |
| 3 | CM040902 | Isolierung unter Sitz Mitte | 1 | Technische Spezifikation: Kastenwagen[VAN] |
| 4 | B005387 | Isolierung Motorabdeckung | 1 | Technische Spezifikation: Kastenwagen[VAN] |
| 5 | B004135 | Schutz | 1 | Technische Spezifikation: Kastenwagen[VAN] |
| 6 | 9359016014000 | Schraubbolzen | 4 | Technische Spezifikation: Kastenwagen[VAN] |
| 7 | 2614384 | Tafel | 1 | Technische Spezifikation: Version mit vergrößerter Ladefläche und Ladebordwänden aus Legierung[TOP DECK] Version mit vergrößerter Ladefläche und Ladebordwänden aus Eisen[BIG DECK] Version mit Ladefläche und Ladebordwänden aus Eisen[PICKUP STD] |
| 8 | D9166140616 | Sechskantschraube | 1 | Technische Spezifikation: Version mit vergrößerter Ladefläche und Ladebordwänden aus Legierung[TOP DECK] Version mit vergrößerter Ladefläche und Ladebordwänden aus Eisen[BIG DECK] Version mit Ladefläche und Ladebordwänden aus Eisen[PICKUP STD] |
| 9 | 9359016014000 | Schraubbolzen | 5 | Technische Spezifikation: Version mit vergrößerter Ladefläche und Ladebordwänden aus Legierung[TOP DECK] Version mit vergrößerter Ladefläche und Ladebordwänden aus Eisen[BIG DECK] Version mit Ladefläche und Ladebordwänden aus Eisen[PICKUP STD] |
| 10 | 7555187Z04000 | Sims rechts | 1 | Technische Spezifikation: Kastenwagen[VAN] |
| 11 | 7555287Z04000 | Sims links | 1 | Technische Spezifikation: Kastenwagen[VAN] |
| 12 | 7555187Z03000 | Sims rechts | 1 | Technische Spezifikation: Alle Pick-up-Versionen[PICKUP] |
| 13 | D7555287Z03 | Sims links | 1 | Technische Spezifikation: Alle Pick-up-Versionen[PICKUP] |

| | |
|---------------------|---|
| Einheit | Fahrgestell - Plastikformteil - Karosserien |
| Code | 02.17 |
| Beschreibung | Hinteres Bodenpaneel |
| Inspektion | 1 |



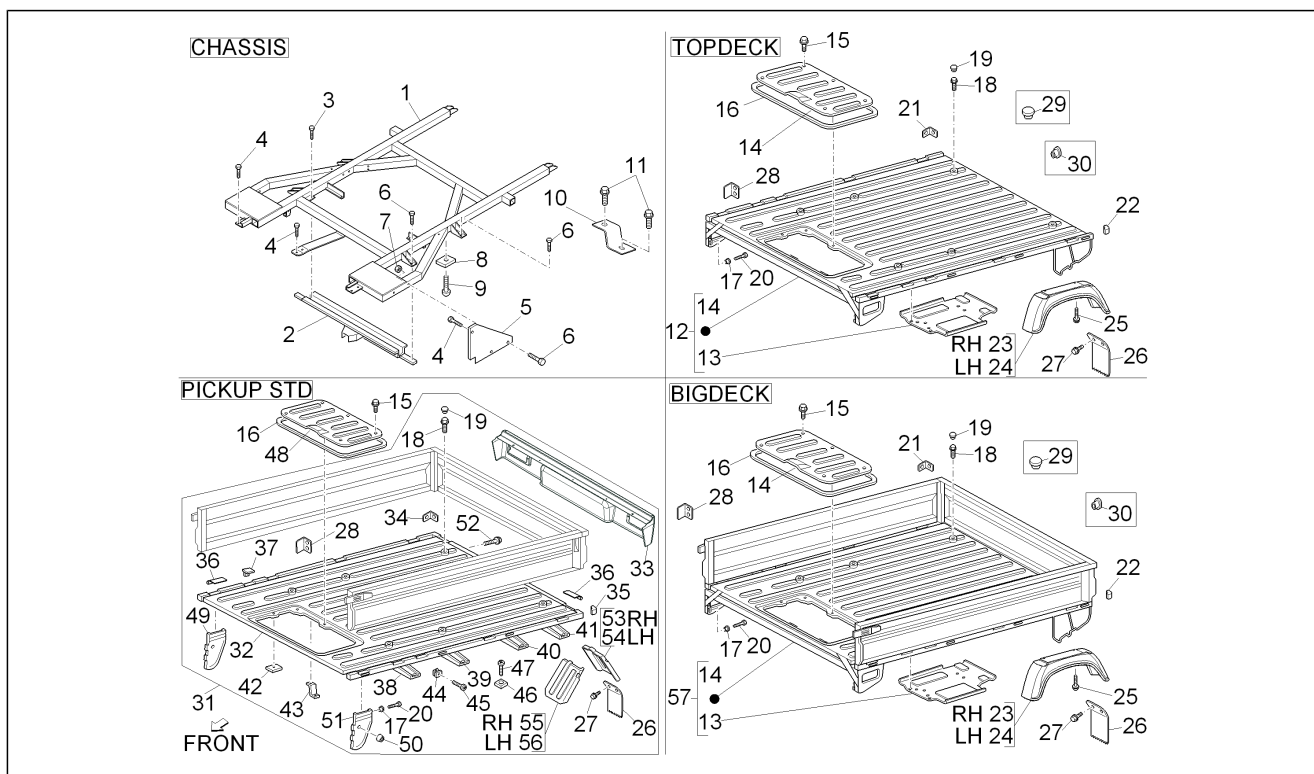
| Pos. | Code | Beschreibung | Menge | Varianten |
|------|---------------|---|-------|---|
| 1 | B0230915 | Boden hinten kpl. | 1 | Technische Spezifikation: Kastenwagen mit Fenstern[VAN GLASS] |
| 2 | B0230905 | Boden hinten kpl. | 1 | Technische Spezifikation: Geschlossener Kastenwagen[VAN BLIND] |
| 3 | D9004871033 | Verschlusschraube | 2 | |
| 4 | D9004871099 | Verschlusschraube | 2 | |
| 5 | 5760787Z01000 | Querträger | 1 | Technische Spezifikation: Kastenwagen mit Fenstern[VAN GLASS] |
| 6 | 5864587Z01000 | Hintere bodenplatte | 2 | |
| 7 | 5835987Z01000 | Befestigung ersatzrad | 1 | |
| 8 | 5863687Z01000 | Platte | 4 | |
| 9 | B005359 | Bodenverstärkung | 1 | |
| 9 | B007290 | Bodenverstärkung Batteriefach mit Innenteilen | 1 | |
| 10 | 5852387Z01000 | Haken | 5 | |
| 11 | 5838587Z02000 | Platte | 2 | |
| 12 | 5836787Z02000 | Platte, rechts | 2 | |
| 13 | B0056345 | Bodenverstärkung | 1 | |
| 14 | 9004119341000 | Schraubbolzen | 4 | |
| 15 | D9162140612 | TE Schr. m. Flansch | 4 | |
| 16 | D9004874004 | Deckel | 2 | |
| 17 | B005385 | Inspektionsklappe motor | 1 | |
| 18 | 5843587Z03000 | Dichtung | 1 | |
| 19 | 9165140814000 | Schraube | 4 | |
| 20 | 9162140614000 | Schraubbolzen | 8 | |
| 21 | 5740587Z02000 | Rechte führung | 1 | |
| 22 | 5740687Z02000 | Linke führung | 1 | |
| 23 | B007194 | Trittbrett | 1 | Technische Spezifikation: Kastenwagen mit Fenstern[VAN GLASS] |

| | |
|---------------------|---|
| Einheit | Fahrgestell - Plastformteil - Karosserien |
| Code | 02.17 |
| Beschreibung | Hinteres Bodenpaneel |
| Inspektion | 1 |



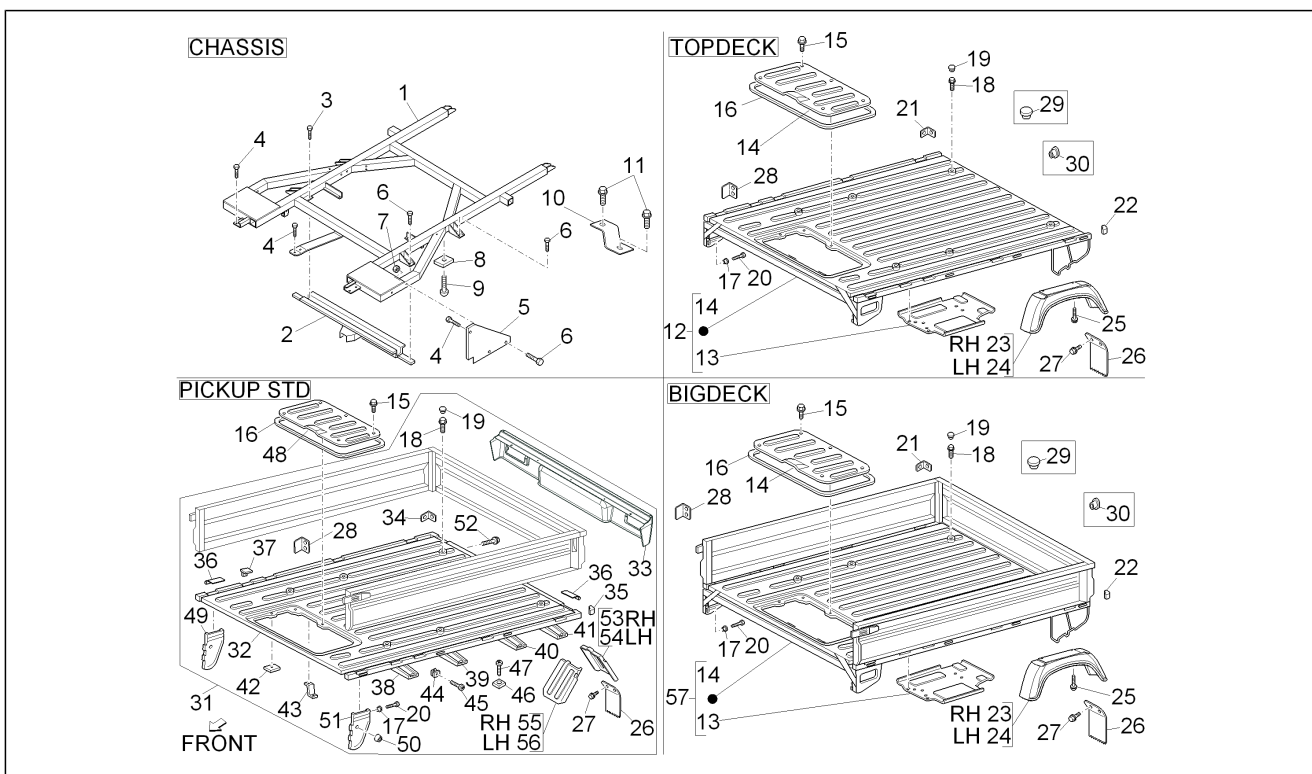
| Pos. | Code | Beschreibung | Menge | Varianten |
|------|---------------|--|-------|---|
| 24 | 9004119260000 | Schraubbolzen | 2 | Technische Spezifikation: Kastenwagen mit Fenstern[VAN GLASS] |
| 25 | D9165160818 | Sechskantschraube | 4 | Technische Spezifikation: Kastenwagen mit Fenstern[VAN GLASS] |
| 26 | 5803587Z01000 | Rechte Verkleidung | 1 | Technische Spezifikation: Kastenwagen mit Fenstern[VAN GLASS] |
| 27 | 5766187Z01000 | Rechte Verkleidung | 1 | Technische Spezifikation: Geschlossener Kastenwagen[VAN BLIND] |
| 28 | D5803687Z03 | Not available | 1 | Technische Spezifikation: Kastenwagen mit Fenstern[VAN GLASS] |
| 29 | D5803687Z02 | Not available | 1 | Technische Spezifikation: Geschlossener Kastenwagen[VAN BLIND] |
| 30 | 9004468084000 | Schelle | 3 | |
| 31 | 5510887Z01000 | Batterieabdeckung | 1 | |
| 32 | 5517887Z01000 | Dichtung batterieabdeckung | 1 | |
| 33 | 5766387Z01000 | Verkleidung hinten rechts | 1 | |
| 34 | 5830787Z01000 | Hinterer Querträger | 1 | |
| 35 | 5766487Z01000 | Verkleidung hinten links | 1 | |
| 36 | 5389687Z01000 | Hinteres schutzblech | 2 | |
| 37 | 016406 | Federring 6,4x11,8x1 | 8 | |
| 38 | 013777 | Unterlegscheibe 6.4x13x1.5 | 8 | |
| 39 | 031089 | Sechskantschraube M6x18 | 8 | |
| 40 | D3852187Z01 | Haken | 4 | |
| 41 | B004695 | Befestigungspl. Haken | 4 | |
| 42 | 5389387Z01000 | Befestigung hinterer rechter kotflügel | 1 | Technische Spezifikation: Rechts[RH] |
| 43 | 5389487Z01000 | Befestigung hinterer linker kotflügel | 1 | Technische Spezifikation: Links[LH] |

| | |
|---------------------|---|
| Einheit | Fahrgestell - Plastikformteil - Karosserien |
| Code | 02.18 |
| Beschreibung | Offene Ladefläche |
| Inspektion | 1 |



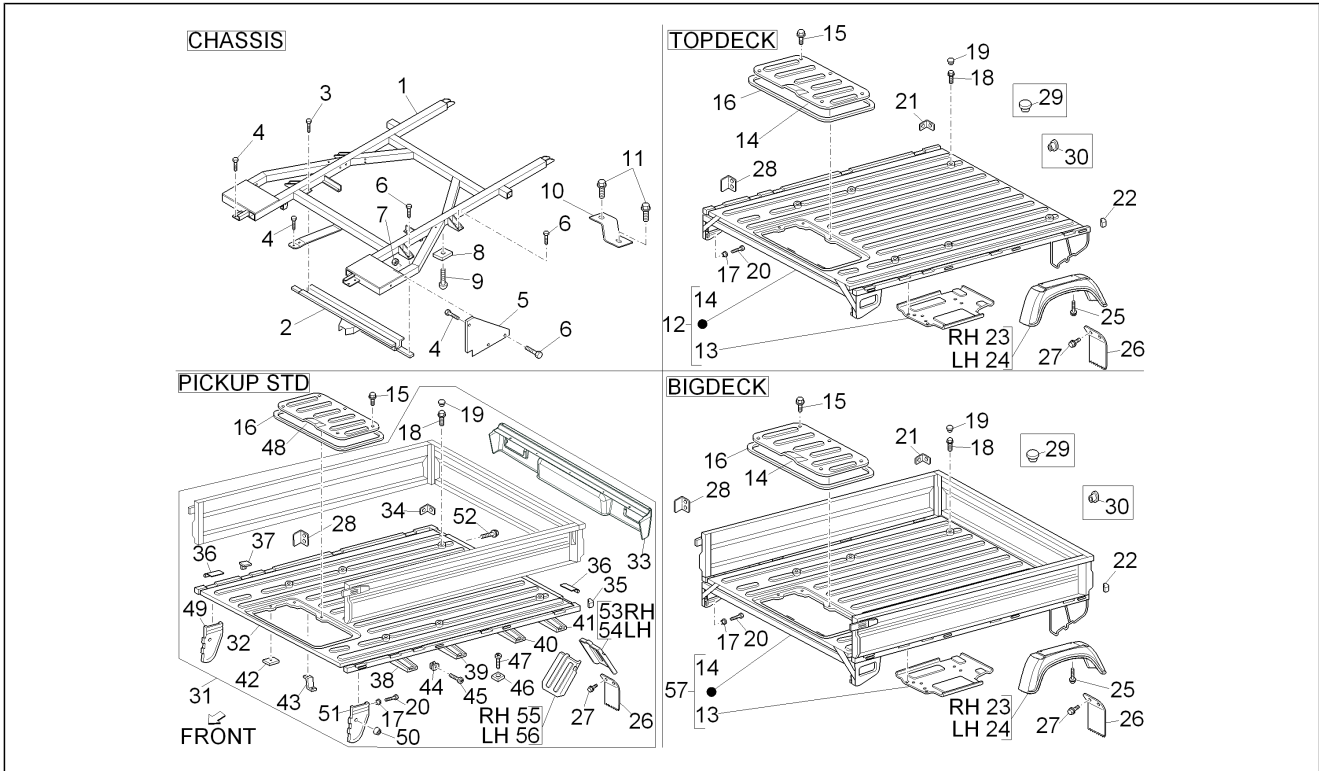
| Pos. | Code | Beschreibung | Menge | Varianten |
|------|---------------|-------------------------|-------|---|
| 1 | 5100587Z03000 | Rahmen | 1 | Technische Spezifikation: Version ohne Ladefläche[CHASSIS] |
| 2 | 6510287Z04000 | Querträger | 1 | Technische Spezifikation: Version ohne Ladefläche[CHASSIS] |
| 3 | 9165140614000 | Schraubbolzen | 4 | Technische Spezifikation: Version ohne Ladefläche[CHASSIS] |
| 4 | 9165140820000 | Schraubbolzen | 8 | Technische Spezifikation: Version ohne Ladefläche[CHASSIS] |
| 5 | 5121387Z01000 | Platte | 2 | Technische Spezifikation: Version ohne Ladefläche[CHASSIS] |
| 6 | 9165141025000 | Schraubbolzen | 12 | Technische Spezifikation: Version ohne Ladefläche[CHASSIS] |
| 7 | 9418041000000 | Mutter | 4 | Technische Spezifikation: Version ohne Ladefläche[CHASSIS] |
| 8 | 9004541144000 | Puffer | 2 | Technische Spezifikation: Version ohne Ladefläche[CHASSIS] |
| 9 | 9352014014000 | Befestigungsschraube | 2 | Technische Spezifikation: Version ohne Ladefläche[CHASSIS] |
| 10 | B004423 | Halterbügel | 2 | Technische Spezifikation: Version ohne Ladefläche[CHASSIS] |
| 11 | 9165141028000 | TE Schr. m. Flansch | 4 | Technische Spezifikation: Version ohne Ladefläche[CHASSIS] |
| 12 | B0071465 | Festes bodenblech | 1 | Technische Spezifikation: Version mit vergrößerter Ladefläche und Ladebordwänden aus Legierung[TOP DECK] |
| 13 | 2614384 | Tafel | 1 | Technische Spezifikation: Version mit vergrößerter Ladefläche und Ladebordwänden aus Legierung[TOP DECK] Version mit vergrößerter Ladefläche und Ladebordwänden aus Eisen[BIG DECK] |
| 14 | 263207 | Inspektionsklappe motor | 1 | Technische Spezifikation: Version mit vergrößerter Ladefläche und Ladebordwänden aus Legierung[TOP DECK] Version mit vergrößerter Ladefläche und Ladebordwänden aus Eisen[BIG DECK] |

| | |
|---------------------|---|
| Einheit | Fahrgestell - Plastikformteil - Karosserien |
| Code | 02.18 |
| Beschreibung | Offene Ladefläche |
| Inspektion | 1 |



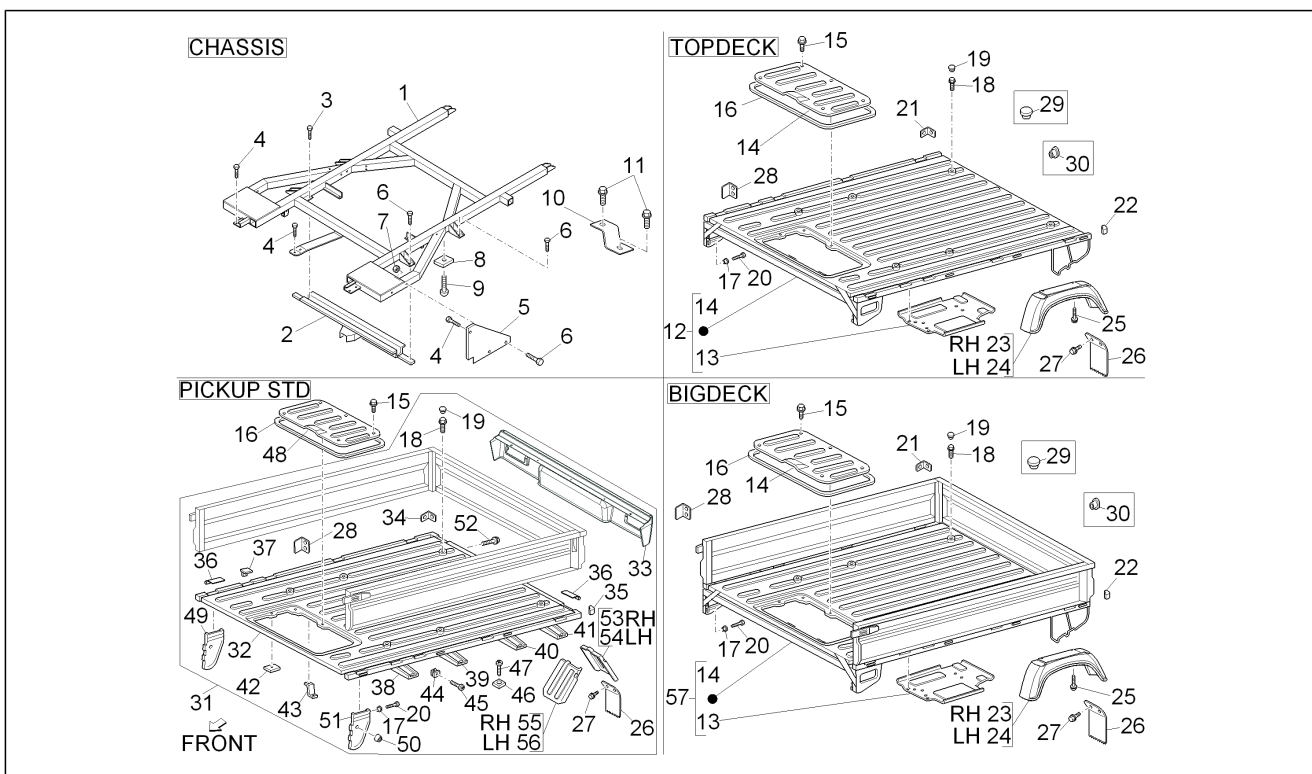
| Pos. | Code | Beschreibung | Menge | Varianten |
|------|---------------|---------------------|-------|--|
| 15 | 9004119302000 | Sechskantschraube | 6 | Technische Spezifikation: Version mit vergrößerter Ladefläche und Ladebordwänden aus Legierung[TOP DECK] Version mit vergrößerter Ladefläche und Ladebordwänden aus Eisen[BIG DECK] Version mit Ladefläche und Ladebordwänden aus Eisen[PICKUP STD] |
| 16 | 5516687Z02000 | Dichtung | 1 | Technische Spezifikation: Version mit vergrößerter Ladefläche und Ladebordwänden aus Legierung[TOP DECK] Version mit vergrößerter Ladefläche und Ladebordwänden aus Eisen[BIG DECK] Version mit Ladefläche und Ladebordwänden aus Eisen[PICKUP STD] |
| 17 | D6644387Z01 | Dichtung | 4 | Technische Spezifikation: Version mit vergrößerter Ladefläche und Ladebordwänden aus Legierung[TOP DECK] Version mit vergrößerter Ladefläche und Ladebordwänden aus Eisen[BIG DECK] Version mit Ladefläche und Ladebordwänden aus Eisen[PICKUP STD] |
| 18 | 9165141028000 | TE Schr. m. Flansch | 8 | Technische Spezifikation: Version mit vergrößerter Ladefläche und Ladebordwänden aus Legierung[TOP DECK] Version mit vergrößerter Ladefläche und Ladebordwänden aus Eisen[BIG DECK] Version mit Ladefläche und Ladebordwänden aus Eisen[PICKUP STD] |
| 19 | B004631 | Verschluss schw. | 8 | Technische Spezifikation: Version mit vergrößerter Ladefläche und Ladebordwänden aus Legierung[TOP DECK] Version mit vergrößerter Ladefläche und Ladebordwänden aus Eisen[BIG DECK] Version mit Ladefläche und Ladebordwänden aus Eisen[PICKUP STD] |
| 20 | 9165140820000 | Schraubbolzen | 11 | Technische Spezifikation: Version mit vergrößerter Ladefläche und Ladebordwänden aus Legierung[TOP DECK] Version mit vergrößerter Ladefläche und Ladebordwänden aus Eisen[BIG DECK] Version mit Ladefläche und Ladebordwänden aus Eisen[PICKUP STD] |
| 21 | 6633187Z01000 | Puffer | 1 | Technische Spezifikation: Version mit vergrößerter Ladefläche und Ladebordwänden aus Legierung[TOP DECK] Version mit vergrößerter Ladefläche und Ladebordwänden aus Eisen[BIG DECK] |

| | |
|---------------------|---|
| Einheit | Fahrgestell - Plastikformteil - Karosserien |
| Code | 02.18 |
| Beschreibung | Offene Ladefläche |
| Inspektion | 1 |



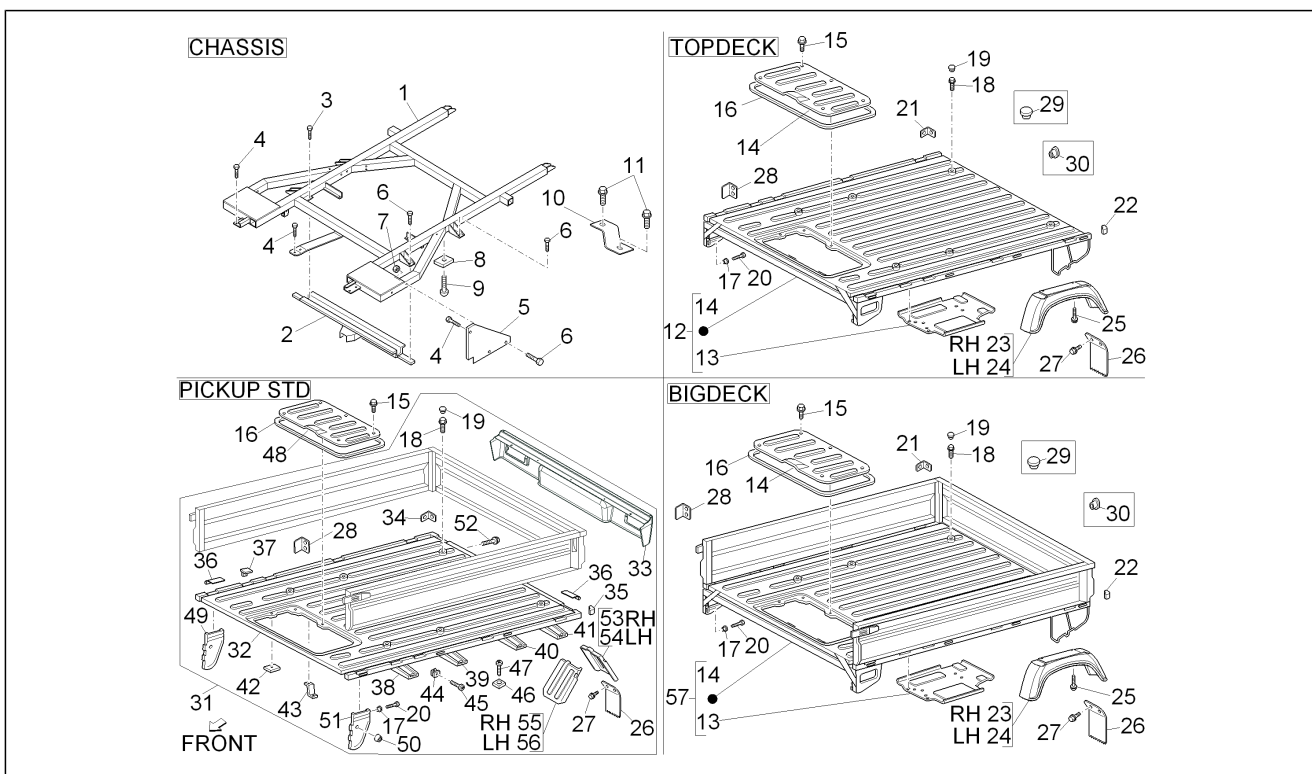
| Pos. | Code | Beschreibung | Menge | Varianten |
|------|---------------|-------------------------|-------|--|
| 22 | 6633287Z01000 | Puffer | 1 | Technische Spezifikation: Version mit vergrößerter Ladefläche und Ladebordwänden aus Legierung[TOP DECK] Version mit vergrößerter Ladefläche und Ladebordwänden aus Eisen[BIG DECK] |
| 23 | 645569 | Kotflügel hinten rechts | 1 | Technische Spezifikation: Rechts[RH] Version mit vergrößerter Ladefläche und Ladebordwänden aus Legierung[TOP DECK] Version mit vergrößerter Ladefläche und Ladebordwänden aus Eisen[BIG DECK] |
| 24 | 645568 | Kotflügel hinten links | 1 | Technische Spezifikation: Links[LH] Version mit vergrößerter Ladefläche und Ladebordwänden aus Legierung[TOP DECK] Version mit vergrößerter Ladefläche und Ladebordwänden aus Eisen[BIG DECK] |
| 25 | 9004119537000 | Schraubbolzen | 8 | Technische Spezifikation: Version mit vergrößerter Ladefläche und Ladebordwänden aus Legierung[TOP DECK] Version mit vergrößerter Ladefläche und Ladebordwänden aus Eisen[BIG DECK] |
| 26 | B007640 | Hinteres, Spritzschutz | 2 | Technische Spezifikation: Version mit vergrößerter Ladefläche und Ladebordwänden aus Legierung[TOP DECK] Version mit vergrößerter Ladefläche und Ladebordwänden aus Eisen[BIG DECK] Version mit Ladefläche und Ladebordwänden aus Eisen[PICKUP STD] |
| 27 | 9163140612000 | Schraube | 4 | Technische Spezifikation: Version mit vergrößerter Ladefläche und Ladebordwänden aus Legierung[TOP DECK] Version mit vergrößerter Ladefläche und Ladebordwänden aus Eisen[BIG DECK] Version mit Ladefläche und Ladebordwänden aus Eisen[PICKUP STD] |
| 28 | 565380 | Puffer | 2 | Technische Spezifikation: Version mit vergrößerter Ladefläche und Ladebordwänden aus Legierung[TOP DECK] Version mit Ladefläche und Ladebordwänden aus Eisen[PICKUP STD] |
| 29 | 212400 | Verschluss schw. | 6 | Technische Spezifikation: Version mit vergrößerter Ladefläche und Ladebordwänden aus Legierung[TOP DECK] Version mit vergrößerter Ladefläche und Ladebordwänden aus Eisen[BIG DECK] |

| | |
|---------------------|---|
| Einheit | Fahrgestell - Plastikformteil - Karosserien |
| Code | 02.18 |
| Beschreibung | Offene Ladefläche |
| Inspektion | 1 |



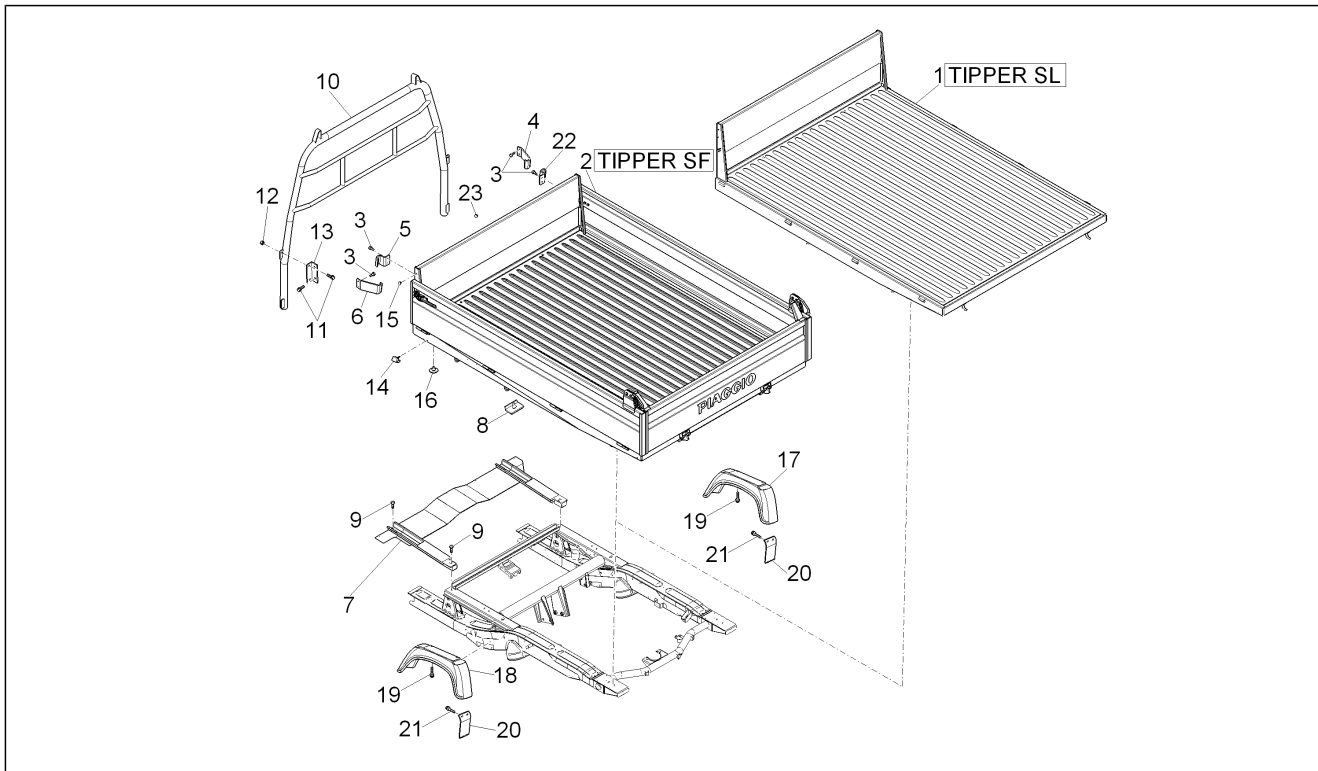
| Pos. | Code | Beschreibung | Menge | Varianten |
|------|---------------|---------------------|-------|---|
| 30 | 190517 | Verschlusschraube | 4 | Technische Spezifikation: Version mit vergrößerter Ladefläche und Ladebordwänden aus Legierung[TOP DECK] Version mit vergrößerter Ladefläche und Ladebordwänden aus Eisen[BIG DECK] |
| 31 | 6501187Z07000 | Festes bodenblech | 1 | Technische Spezifikation: Version mit Ladefläche und Ladebordwänden aus Eisen[PICKUP STD] |
| 32 | D6531187Z035 | Hinteres bodenblech | 1 | Technische Spezifikation: Version mit Ladefläche und Ladebordwänden aus Eisen[PICKUP STD] |
| 33 | 6524187Z01000 | Hinterer Querträger | 1 | Technische Spezifikation: Version mit Ladefläche und Ladebordwänden aus Eisen[PICKUP STD] |
| 34 | 6633187Z01000 | Puffer | 1 | Technische Spezifikation: Version mit Ladefläche und Ladebordwänden aus Eisen[PICKUP STD] |
| 35 | 6633287Z01000 | Puffer | 1 | Technische Spezifikation: Version mit Ladefläche und Ladebordwänden aus Eisen[PICKUP STD] |
| 36 | 6611287Z01000 | Gelenk | 11 | Technische Spezifikation: Version mit Ladefläche und Ladebordwänden aus Eisen[PICKUP STD] |
| 37 | 6631387Z01000 | Haken | 6 | Technische Spezifikation: Version mit Ladefläche und Ladebordwänden aus Eisen[PICKUP STD] |
| 38 | 6510287Z03000 | Querträger | 1 | Technische Spezifikation: Version mit Ladefläche und Ladebordwänden aus Eisen[PICKUP STD] |
| 39 | 6510487Z02000 | Querträger | 1 | Technische Spezifikation: Version mit Ladefläche und Ladebordwänden aus Eisen[PICKUP STD] |
| 40 | 6510587Z01000 | Querträger | 1 | Technische Spezifikation: Version mit Ladefläche und Ladebordwänden aus Eisen[PICKUP STD] |
| 41 | 6510687Z02000 | Querträger | 1 | Technische Spezifikation: Version mit Ladefläche und Ladebordwänden aus Eisen[PICKUP STD] |
| 42 | 9004876010000 | Flanschmutter | 5 | Technische Spezifikation: Version mit Ladefläche und Ladebordwänden aus Eisen[PICKUP STD] |
| 43 | 5826687Z01000 | Winkel | 1 | Technische Spezifikation: Version mit Ladefläche und Ladebordwänden aus Eisen[PICKUP STD] |
| 44 | D9004189019 | Kabelführung | 2 | Technische Spezifikation: Version mit Ladefläche und Ladebordwänden aus Eisen[PICKUP STD] |

| | |
|---------------------|---|
| Einheit | Fahrgestell - Plastikformteil - Karosserien |
| Code | 02.18 |
| Beschreibung | Offene Ladefläche |
| Inspektion | 1 |



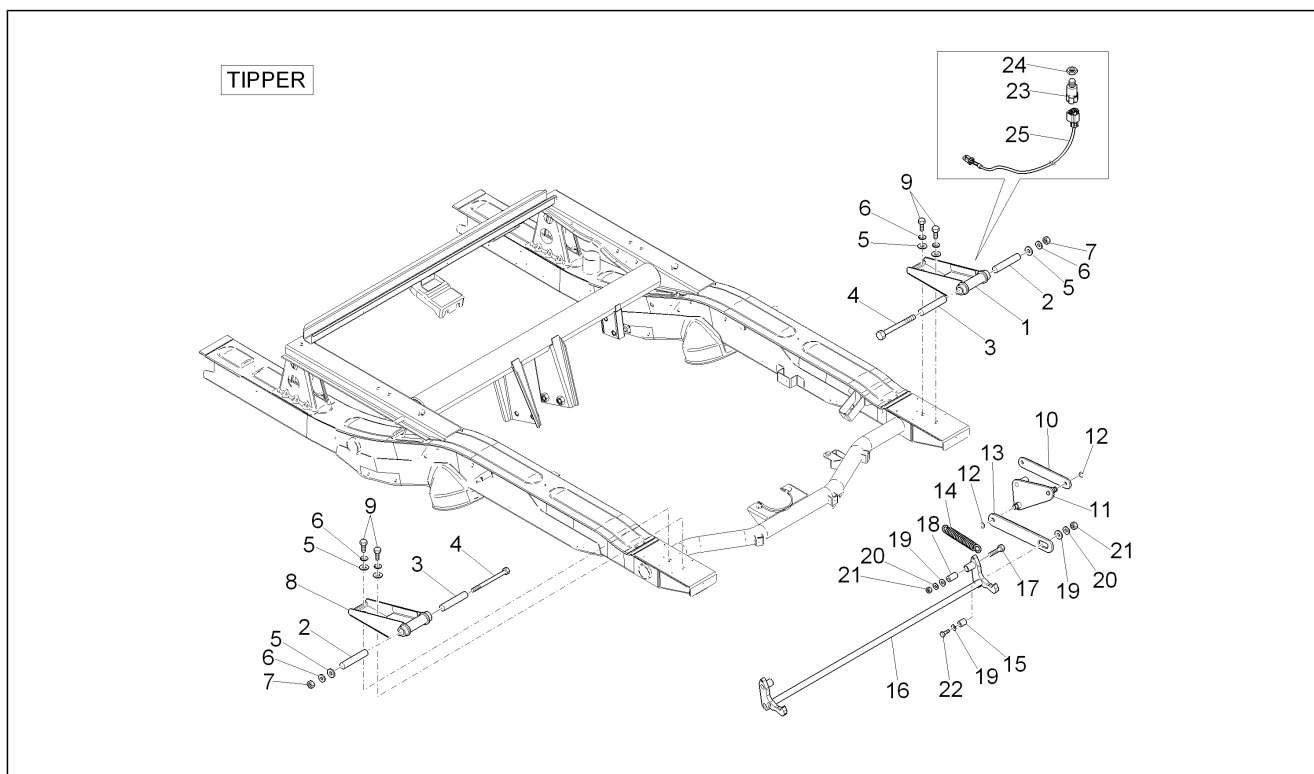
| Pos. | Code | Beschreibung | Menge | Varianten |
|------|---------------|-------------------------|-------|---|
| 45 | 9358016012000 | Sechskantschraube | 2 | Technische Spezifikation: Version mit Ladefläche und Ladebordwänden aus Eisen[PICKUP STD] |
| 46 | 9004541144000 | Puffer | 2 | Technische Spezifikation: Version mit Ladefläche und Ladebordwänden aus Eisen[PICKUP STD] |
| 47 | 9352014014000 | Befestigungsschraube | 2 | Technische Spezifikation: Version mit Ladefläche und Ladebordwänden aus Eisen[PICKUP STD] |
| 48 | 6640187Z03000 | Inspektionsklappe motor | 1 | Technische Spezifikation: Version mit Ladefläche und Ladebordwänden aus Eisen[PICKUP STD] |
| 49 | 6531387Z01000 | Rechte Verkleidung | 1 | Technische Spezifikation: Version mit Ladefläche und Ladebordwänden aus Eisen[PICKUP STD] |
| 50 | 6632187Z01000 | Puffer | 2 | Technische Spezifikation: Version mit Ladefläche und Ladebordwänden aus Eisen[PICKUP STD] |
| 51 | 6531487Z01000 | Linke Verkleidung | 1 | Technische Spezifikation: Version mit Ladefläche und Ladebordwänden aus Eisen[PICKUP STD] |
| 52 | 9338516014000 | Schraube | 1 | Technische Spezifikation: Version mit Ladefläche und Ladebordwänden aus Eisen[PICKUP STD] |
| 53 | 6530587Z01000 | Kotflügel hinten rechts | 1 | Technische Spezifikation: Rechts[RH] Version mit Ladefläche und Ladebordwänden aus Eisen[PICKUP STD] |
| 54 | 6530687Z01000 | Kotflügel hinten links | 1 | Technische Spezifikation: Links[LH] Version mit Ladefläche und Ladebordwänden aus Eisen[PICKUP STD] |
| 55 | 6531787Z01000 | Kotflügel hinten rechts | 1 | Technische Spezifikation: Rechts[RH] Version mit Ladefläche und Ladebordwänden aus Eisen[PICKUP STD] |
| 56 | 6531887Z01000 | Kotflügel hinten links | 1 | Technische Spezifikation: Links[LH] Version mit Ladefläche und Ladebordwänden aus Eisen[PICKUP STD] |
| 57 | B0071455 | Festes bodenblech | 1 | Technische Spezifikation: Version mit vergrößerter Ladefläche und Ladebordwänden aus Eisen[BIG DECK] |

| | |
|---------------------|---|
| Einheit | Fahrgestell - Plastikformteil - Karosserien |
| Code | 02.19 |
| Beschreibung | Offene Ladefläche - (Tipper) |
| Inspektion | 1 |



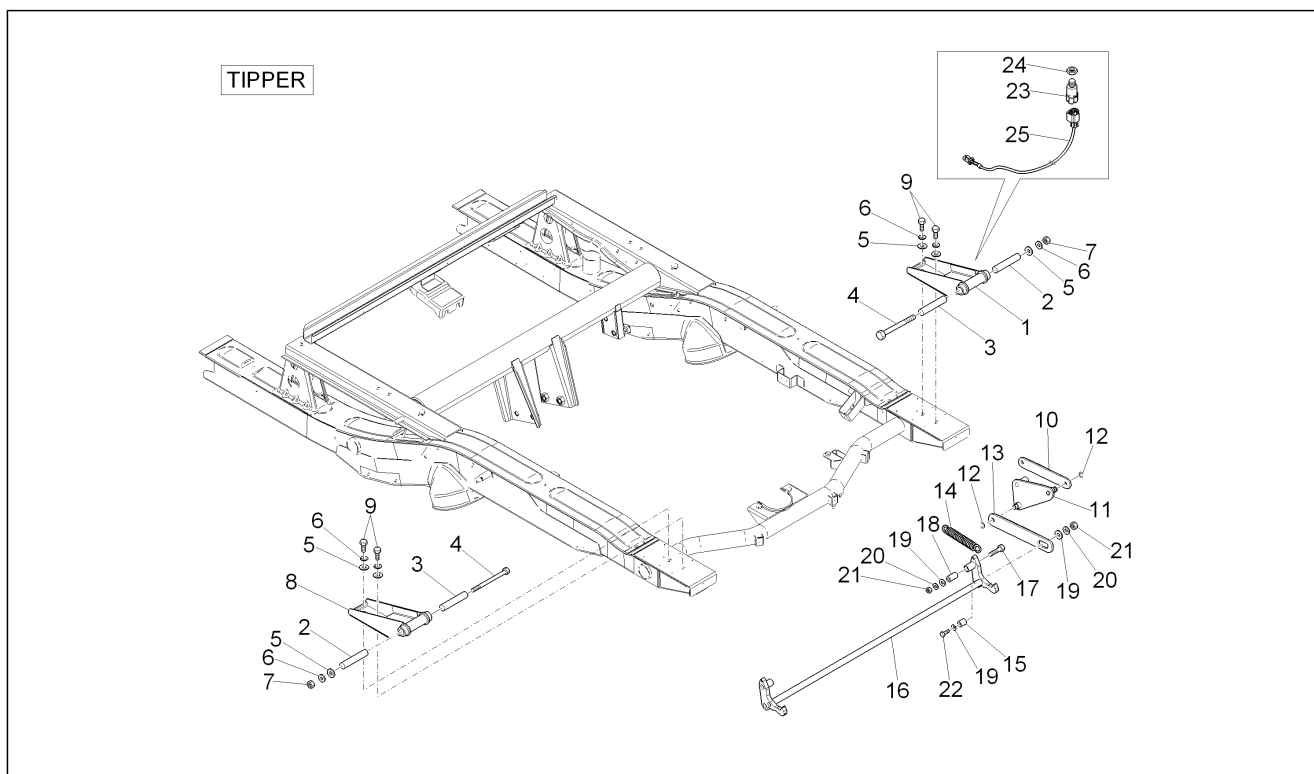
| Pos. | Code | Beschreibung | Menge | Varianten |
|------|---------------|--|-------|---|
| 1 | B0056795 | Kippfläche mit nicht abbaubaren teilen | 1 | Technische Spezifikation: Version mit kippbarer Ladefläche und Ladebordwänden aus Legierung[TIPPER SL] |
| 2 | B0060475 | Kippwagenkasten | 1 | Technische Spezifikation: Version mit kippbarer Ladefläche und Ladebordwänden aus Eisen[TIPPER SF] |
| 3 | D9166160820 | TE Schr. m. Flansch | 8 | |
| 4 | 614268 | Rechte haken | 1 | |
| 5 | 615530 | Linke haken | 1 | |
| 6 | 614269 | Linke haken | 1 | |
| 7 | 644643 | Klappbare Motorraumabdeckung | 1 | |
| 8 | 645670 | Mittelpuffer Ladeflächenauflage | 2 | |
| 9 | D9165141028 | TE Schr. m. Flansch | 4 | |
| 10 | 646244 | Roll-bar | 1 | |
| 11 | D9165160820 | Sechskantschraube | 4 | |
| 12 | 020008 | Mutter M8 | 2 | |
| 13 | 644638 | Bügel | 2 | |
| 14 | 567732 | Anschlagpuffer | 4 | |
| 15 | 9004871154000 | Deckel | 2 | |
| 16 | 645795 | Puffer | 2 | |
| 17 | 645569 | Kotflügel hinten rechts | 1 | |
| 18 | 645568 | Kotflügel hinten links | 1 | |
| 19 | 9004119537000 | Schraubbolzen | 8 | |
| 20 | B007640 | Hinteres, Spritzschutz | 2 | |
| 21 | 9163140612000 | Schraube | 4 | |
| 22 | 615529 | Rechte haken | 1 | |
| 23 | B000713 | Verschlusschraube | 2 | |

| | |
|---------------------|---|
| Einheit | Fahrgestell - Plastformteil - Karosserien |
| Code | 02.20 |
| Beschreibung | Ladeflächenbauteile |
| Inspektion | 1 |



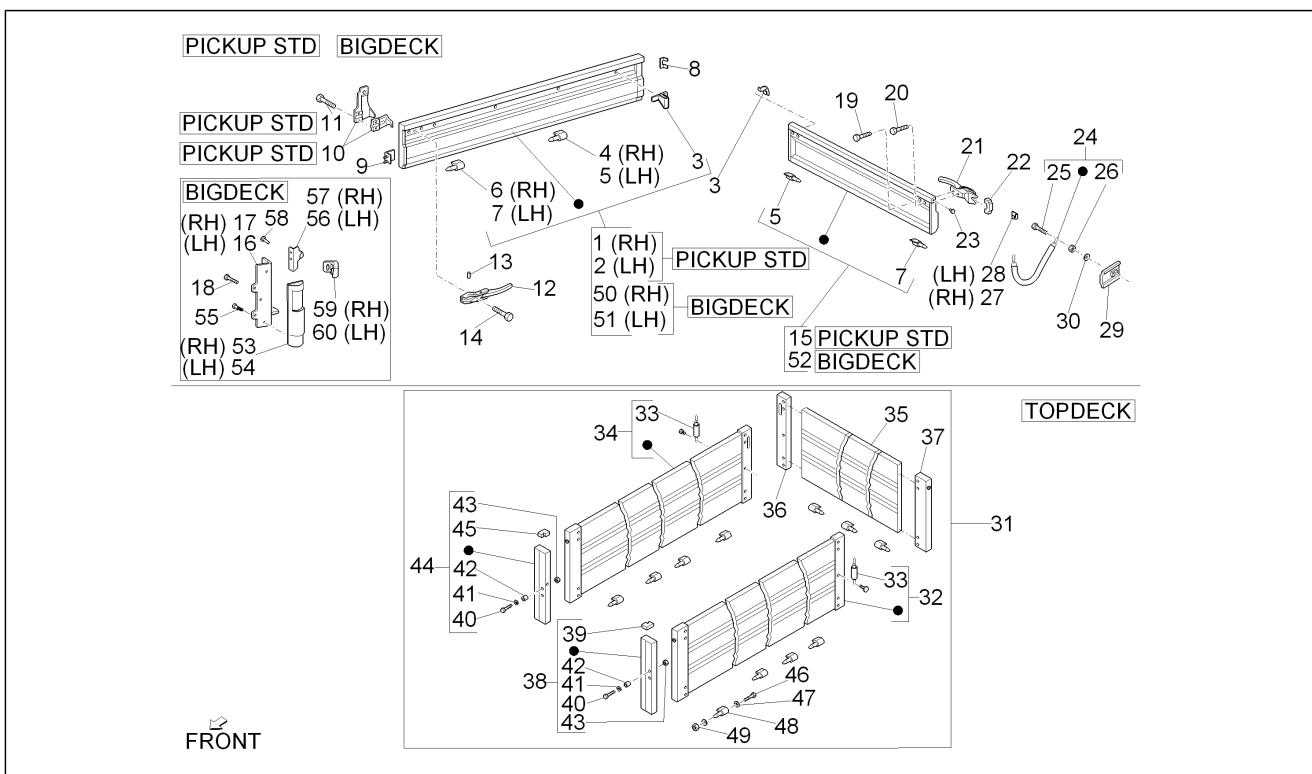
| Pos. | Code | Beschreibung | Menge | Varianten |
|------|---------|-----------------------------|-------|---|
| 1 | B004885 | Scharnier rechts | 1 | Technische Spezifikation: Version mit kippbarer Ladefläche[TIPPER] |
| 2 | 1180224 | Distanzscheibe | 2 | Technische Spezifikation: Version mit kippbarer Ladefläche[TIPPER] |
| 3 | 118020 | Hülse | 2 | Technische Spezifikation: Version mit kippbarer Ladefläche[TIPPER] |
| 4 | 030113 | Schraube | 2 | Technische Spezifikation: Version mit kippbarer Ladefläche[TIPPER] |
| 5 | 0030404 | Unterlegscheibe | 6 | Technische Spezifikation: Version mit kippbarer Ladefläche[TIPPER] |
| 6 | 016410 | Unterlegscheibe 17,6x11x2,5 | 6 | Technische Spezifikation: Version mit kippbarer Ladefläche[TIPPER] |
| 7 | 020110 | Mutter M10 6H | 2 | Technische Spezifikation: Version mit kippbarer Ladefläche[TIPPER] |
| 8 | B004886 | Scharnier links | 1 | Technische Spezifikation: Version mit kippbarer Ladefläche[TIPPER] |
| 9 | 264886 | Schraube | 4 | Technische Spezifikation: Version mit kippbarer Ladefläche[TIPPER] |
| 10 | B000339 | Öffnungshebel | 1 | Technische Spezifikation: Version mit kippbarer Ladefläche[TIPPER] |
| 11 | B000337 | Öffnungshebel Heckwand | 1 | Technische Spezifikation: Version mit kippbarer Ladefläche[TIPPER] |
| 12 | 620970 | Sprengring | 4 | Technische Spezifikation: Version mit kippbarer Ladefläche[TIPPER] |
| 13 | B000340 | Externer Hebel | 1 | Technische Spezifikation: Version mit kippbarer Ladefläche[TIPPER] |
| 14 | B004912 | Feder | 1 | Technische Spezifikation: Version mit kippbarer Ladefläche[TIPPER] |
| 15 | B004913 | Buchse | 1 | Technische Spezifikation: Version mit kippbarer Ladefläche[TIPPER] |
| 16 | B004881 | Haken Heckwand | 1 | Technische Spezifikation: Version mit kippbarer Ladefläche[TIPPER] |

| | |
|---------------------|---|
| Einheit | Fahrgestell - Plastformteil - Karosserien |
| Code | 02.20 |
| Beschreibung | Ladeflächenbauteile |
| Inspektion | 1 |



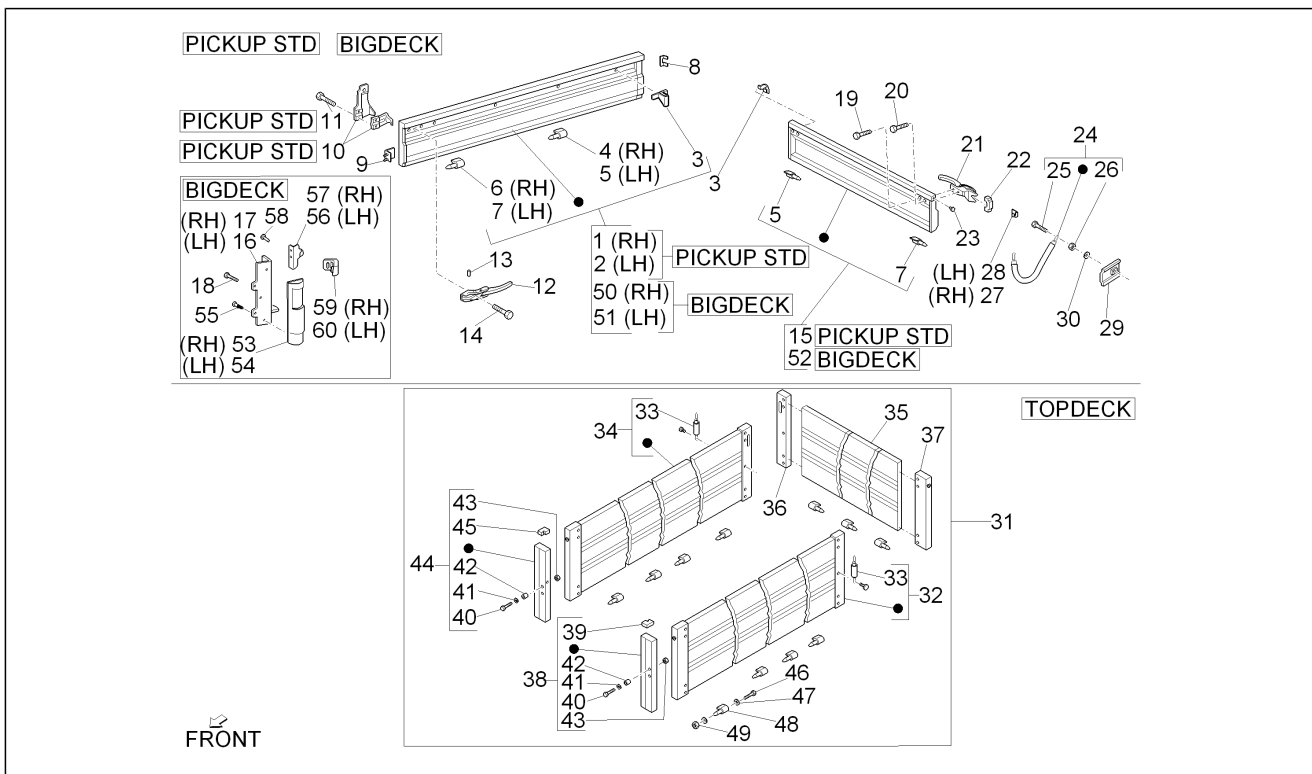
| Pos. | Code | Beschreibung | Menge | Varianten |
|------|----------|------------------------------|-------|---|
| 17 | 030077 | Schraubbolzen M8x55 | 2 | Technische Spezifikation: Version mit kippbarer Ladefläche[TIPPER] |
| 18 | B004914 | Buchse | 2 | Technische Spezifikation: Version mit kippbarer Ladefläche[TIPPER] |
| 19 | 002383 | Unterlegscheibe M20x8.5x2 | 3 | Technische Spezifikation: Version mit kippbarer Ladefläche[TIPPER] |
| 20 | 016408 | Sprengscheibe 13,75x8,15x4,5 | 3 | Technische Spezifikation: Version mit kippbarer Ladefläche[TIPPER] |
| 21 | 020108 | Mutter M8x6,5 | 3 | Technische Spezifikation: Version mit kippbarer Ladefläche[TIPPER] |
| 22 | 030072 | Schraube M8x35 | 3 | Technische Spezifikation: Version mit kippbarer Ladefläche[TIPPER] |
| 23 | 214772 | Knopf stop | 1 | Technische Spezifikation: Version mit kippbarer Ladefläche[TIPPER] |
| 23 | 1D001075 | Endschalter | 1 | Technische Spezifikation: Version mit kippbarer Ladefläche[TIPPER] |
| 24 | 196750 | Mutter | 1 | Technische Spezifikation: Version mit kippbarer Ladefläche[TIPPER] |
| 25 | B005906 | Stutzen | 1 | Technische Spezifikation: Version mit kippbarer Ladefläche[TIPPER] |

| | |
|---------------------|---|
| Einheit | Fahrgestell - Plastformteil - Karosserien |
| Code | 02.21 |
| Beschreibung | Ladeflächen-Bordwände |
| Inspektion | 1 |



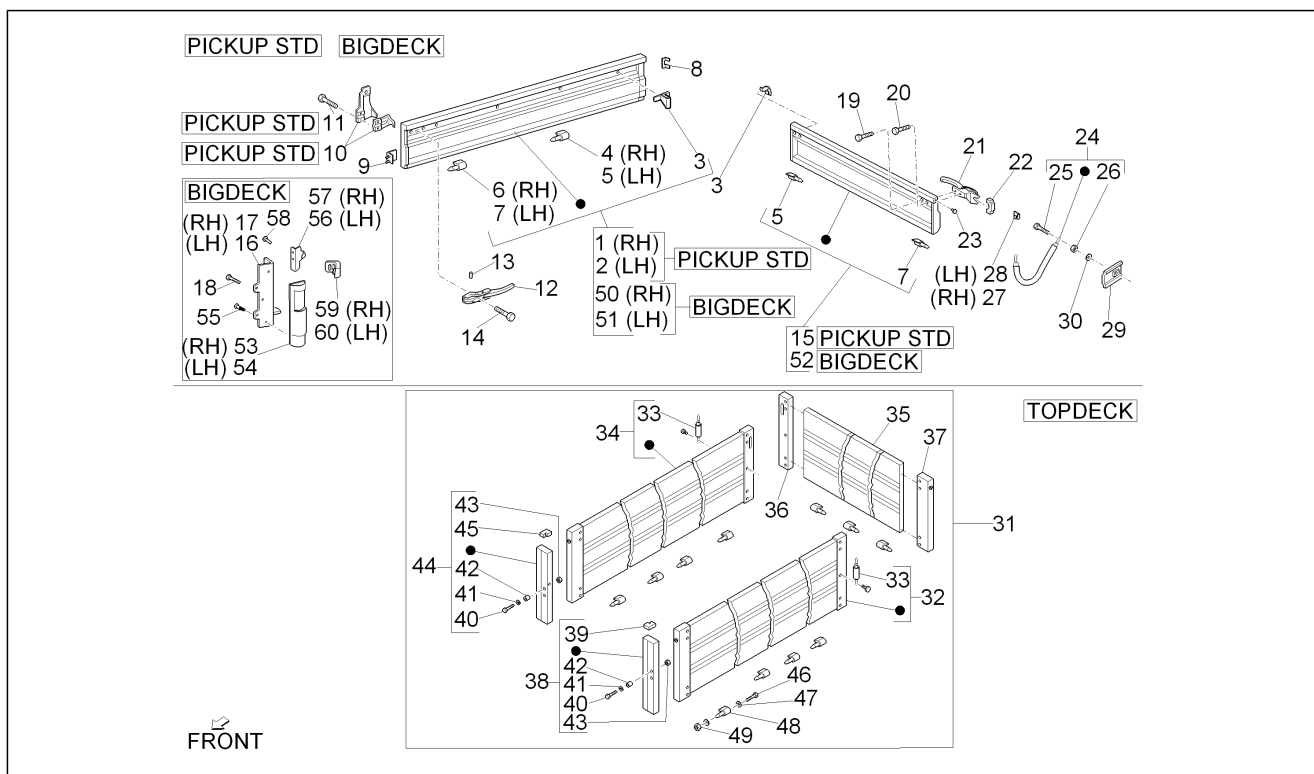
| Pos. | Code | Beschreibung | Menge | Varianten |
|------|---------------|---------------------------|-------|--|
| 1 | 6560187Z01000 | Seitliche Bordwand rechts | 1 | Technische Spezifikation: Rechts[RH] Version mit Ladefläche und Ladebordwänden aus Eisen[PICKUP STD] |
| 2 | 6560287Z01000 | Seitliche Bordwand links | 1 | Technische Spezifikation: Links[LH] Version mit Ladefläche und Ladebordwänden aus Eisen[PICKUP STD] |
| 3 | 6631187Z01000 | Haken | 10 | Technische Spezifikation: Version mit Ladefläche und Ladebordwänden aus Eisen[PICKUP STD] Version mit vergrößerter Ladefläche und Ladebordwänden aus Eisen[BIG DECK] |
| 4 | 6507187Z01000 | Türscharnier seitentür | 3 | Technische Spezifikation: Version mit vergrößerter Ladefläche und Ladebordwänden aus Eisen[BIG DECK] Version mit Ladefläche und Ladebordwänden aus Eisen[PICKUP STD] |
| 5 | 6507387Z01000 | Scharnier links | 5 | Technische Spezifikation: Version mit vergrößerter Ladefläche und Ladebordwänden aus Eisen[BIG DECK] Version mit Ladefläche und Ladebordwänden aus Eisen[PICKUP STD] Links[LH] |
| 6 | 6507287Z01000 | Scharnier rechts | 1 | Technische Spezifikation: Version mit vergrößerter Ladefläche und Ladebordwänden aus Eisen[BIG DECK] Version mit Ladefläche und Ladebordwänden aus Eisen[PICKUP STD] Rechts[RH] |
| 7 | 6507487Z01000 | Scharnier links | 2 | Technische Spezifikation: Version mit vergrößerter Ladefläche und Ladebordwänden aus Eisen[BIG DECK] Version mit Ladefläche und Ladebordwänden aus Eisen[PICKUP STD] |
| 8 | 6614887Z01000 | Schutz klappenverschuß | 2 | Technische Spezifikation: Version mit Ladefläche und Ladebordwänden aus Eisen[PICKUP STD] Version mit vergrößerter Ladefläche und Ladebordwänden aus Eisen[BIG DECK] |
| 9 | 565380 | Puffer | 2 | Technische Spezifikation: Version mit Ladefläche und Ladebordwänden aus Eisen[PICKUP STD] Version mit vergrößerter Ladefläche und Ladebordwänden aus Eisen[BIG DECK] |
| 10 | 6615187Z01000 | Platte | 2 | Technische Spezifikation: Version mit Ladefläche und Ladebordwänden aus Eisen[PICKUP STD] |

| | |
|---------------------|---|
| Einheit | Fahrgestell - Plastikformteil - Karosserien |
| Code | 02.21 |
| Beschreibung | Ladeflächen-Bordwände |
| Inspektion | 1 |



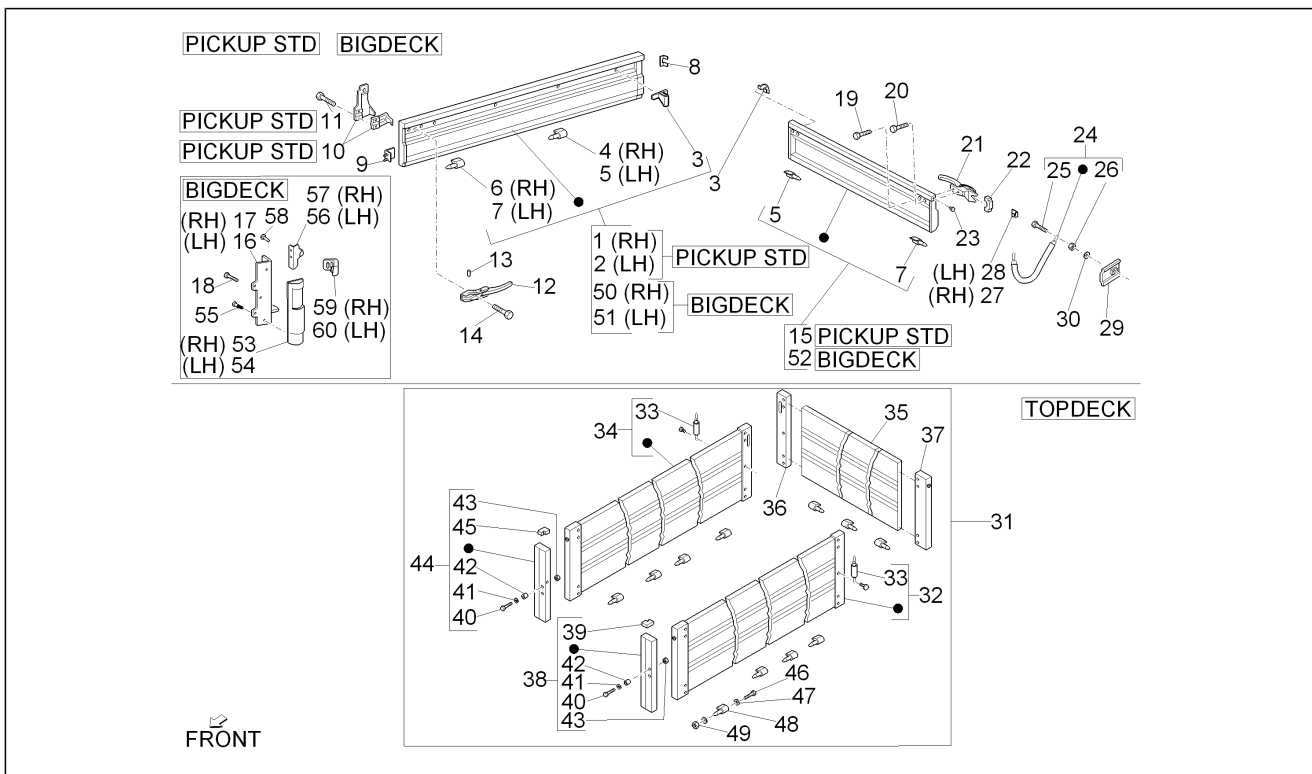
| Pos. | Code | Beschreibung | Menge | Varianten |
|------|---------------|---------------------|-------|---|
| 11 | D9166160820 | TE Schr. m. Flansch | 4 | Technische Spezifikation: Version mit Ladefläche und Ladebordwänden aus Eisen[PICKUP STD] |
| 12 | 6610187Z01000 | Schloss | 2 | Technische Spezifikation: Version mit Ladefläche und Ladebordwänden aus Eisen[PICKUP STD] Version mit vergrößerter Ladefläche und Ladebordwänden aus Eisen[BIG DECK] |
| 13 | 6614687Z01000 | Puffer | 2 | Technische Spezifikation: Version mit Ladefläche und Ladebordwänden aus Eisen[PICKUP STD] Version mit vergrößerter Ladefläche und Ladebordwänden aus Eisen[BIG DECK] |
| 14 | 9162140610000 | Schraubbolzen | 2 | Technische Spezifikation: Version mit Ladefläche und Ladebordwänden aus Eisen[PICKUP STD] Version mit vergrößerter Ladefläche und Ladebordwänden aus Eisen[BIG DECK] |
| 15 | 6570187Z03000 | Klappe komplett | 1 | Technische Spezifikation: Version mit Ladefläche und Ladebordwänden aus Eisen[PICKUP STD] |
| 16 | 264045 | Schild | 1 | Technische Spezifikation: Links[LH] Version mit vergrößerter Ladefläche und Ladebordwänden aus Eisen[BIG DECK] |
| 17 | 264046 | Schild | 1 | Technische Spezifikation: Rechts[RH] Version mit vergrößerter Ladefläche und Ladebordwänden aus Eisen[BIG DECK] |
| 18 | D9165160820 | Sechskantschraube | 4 | Technische Spezifikation: Version mit vergrößerter Ladefläche und Ladebordwänden aus Eisen[BIG DECK] |
| 19 | 9165140610000 | Schraube | 6 | Technische Spezifikation: Version mit Ladefläche und Ladebordwänden aus Eisen[PICKUP STD] Version mit vergrößerter Ladefläche und Ladebordwänden aus Eisen[BIG DECK] |
| 20 | 9165140614000 | Schraubbolzen | 2 | Technische Spezifikation: Version mit Ladefläche und Ladebordwänden aus Eisen[PICKUP STD] Version mit vergrößerter Ladefläche und Ladebordwänden aus Eisen[BIG DECK] |
| 21 | 6620187Z01000 | Schloss | 2 | Technische Spezifikation: Version mit Ladefläche und Ladebordwänden aus Eisen[PICKUP STD] Version mit |

| | |
|---------------------|---|
| Einheit | Fahrgestell - Plastikformteil - Karosserien |
| Code | 02.21 |
| Beschreibung | Ladeflächen-Bordwände |
| Inspektion | 1 |



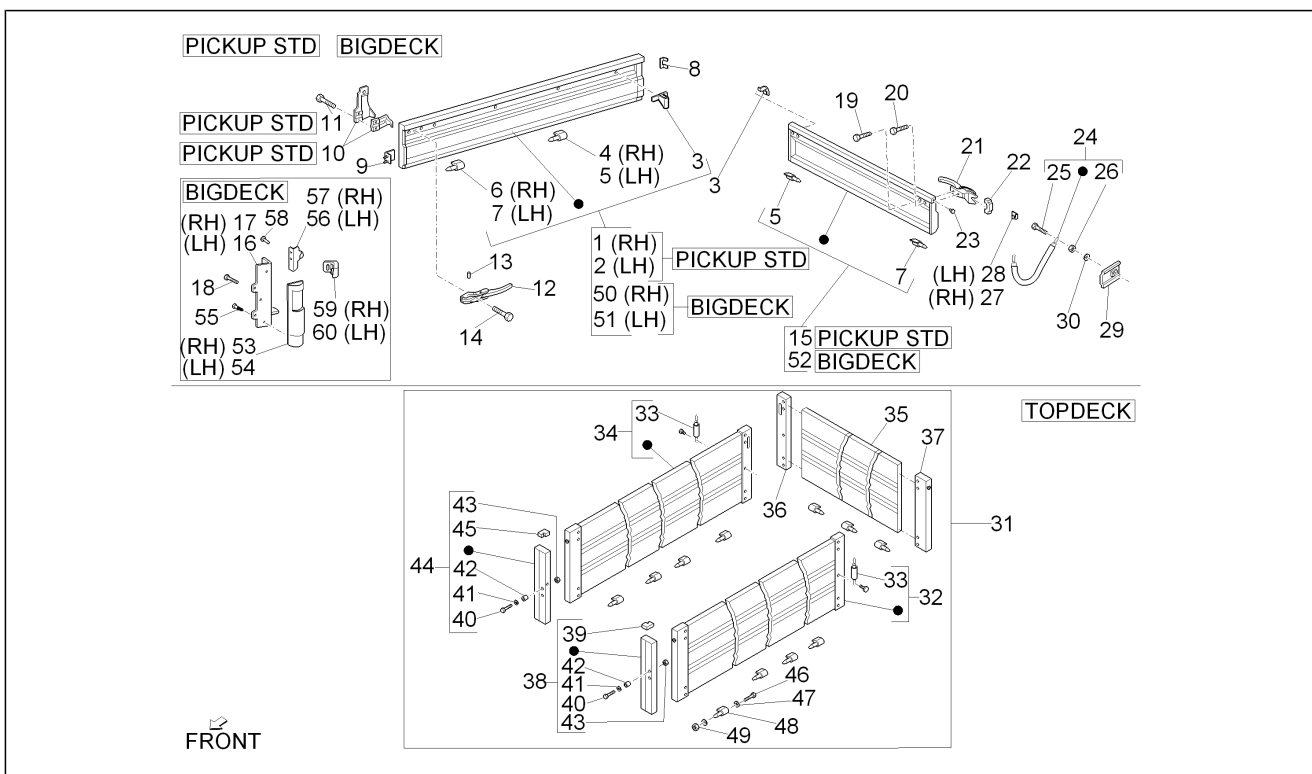
| Pos. | Code | Beschreibung | Menge | Varianten |
|------|---------------|--------------------------|-------|--|
| | | | | vergrößerter Ladefläche und Ladebordwänden aus Eisen[BIG DECK] |
| 22 | 6614787Z01000 | Puffer | 2 | Technische Spezifikation: Version mit Ladefläche und Ladebordwänden aus Eisen[PICKUP STD] Version mit vergrößerter Ladefläche und Ladebordwänden aus Eisen[BIG DECK] |
| 23 | 9004871154000 | Deckel | 2 | Technische Spezifikation: Version mit Ladefläche und Ladebordwänden aus Eisen[PICKUP STD] Version mit vergrößerter Ladefläche und Ladebordwänden aus Eisen[BIG DECK] |
| 24 | 6628087Z01000 | Kette hintere ladeklappe | 2 | Technische Spezifikation: Version mit Ladefläche und Ladebordwänden aus Eisen[PICKUP STD] Version mit vergrößerter Ladefläche und Ladebordwänden aus Eisen[BIG DECK] |
| 25 | 9004105170000 | Schraubbolzen | 1 | Technische Spezifikation: Version mit Ladefläche und Ladebordwänden aus Eisen[PICKUP STD] Version mit vergrößerter Ladefläche und Ladebordwänden aus Eisen[BIG DECK] |
| 26 | D9411040600 | Mutter | 1 | Technische Spezifikation: Version mit Ladefläche und Ladebordwänden aus Eisen[PICKUP STD] Version mit vergrößerter Ladefläche und Ladebordwänden aus Eisen[BIG DECK] |
| 27 | 6628787Z01000 | Plättchen, rechts | 1 | Technische Spezifikation: Links[LH] Version mit Ladefläche und Ladebordwänden aus Eisen[PICKUP STD] Version mit vergrößerter Ladefläche und Ladebordwänden aus Eisen[BIG DECK] |
| 28 | 6628887Z01000 | Plättchen, links | 1 | Technische Spezifikation: Rechts[RH] Version mit Ladefläche und Ladebordwänden aus Eisen[PICKUP STD] Version mit vergrößerter Ladefläche und Ladebordwänden aus Eisen[BIG DECK] |
| 29 | 6628987Z01000 | Halter | 2 | Technische Spezifikation: Version mit Ladefläche und Ladebordwänden aus Eisen[PICKUP STD] Version mit vergrößerter Ladefläche und Ladebordwänden aus Eisen[BIG DECK] |

| | |
|---------------------|---|
| Einheit | Fahrgestell - Plastformteil - Karosserien |
| Code | 02.21 |
| Beschreibung | Ladeflächen-Bordwände |
| Inspektion | 1 |



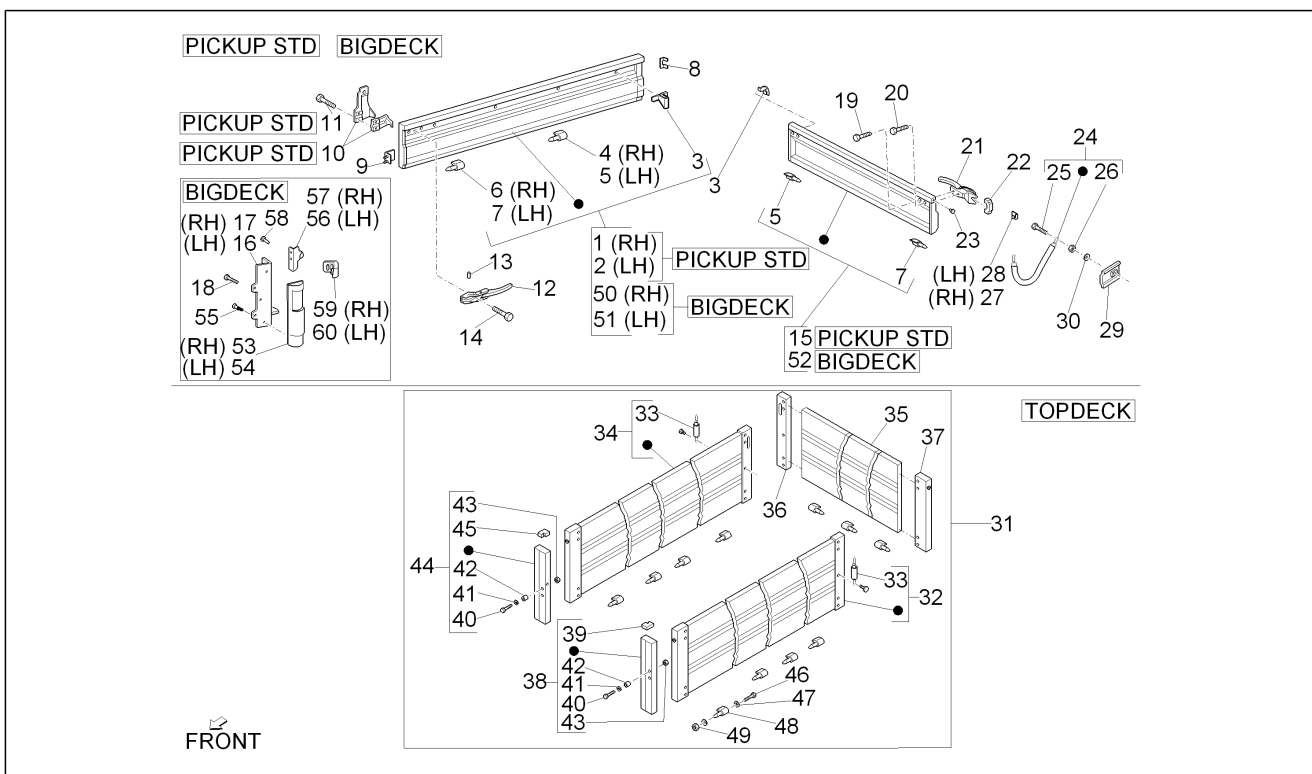
| Pos. | Code | Beschreibung | Menge | Varianten |
|------|-------------|---------------------------|-------|---|
| 30 | D9461410600 | Flachscheibe | 2 | Technische Spezifikation: Version mit Ladefläche und Ladebordwänden aus Eisen[PICKUP STD] Version mit vergrößerter Ladefläche und Ladebordwänden aus Eisen[BIG DECK] |
| 31 | 612078 | Set hohe Bordwände | 1 | Technische Spezifikation: Version mit vergrößerter Ladefläche und Ladebordwänden aus Legierung[TOP DECK] |
| 32 | 612080 | Seitliche Bordwand links | 1 | Technische Spezifikation: Version mit vergrößerter Ladefläche und Ladebordwänden aus Legierung[TOP DECK] |
| 33 | 612104 | Komplette Schutzkette | 2 | Technische Spezifikation: Version mit vergrößerter Ladefläche und Ladebordwänden aus Legierung[TOP DECK] |
| 34 | 612079 | Seitliche Bordwand rechts | 1 | Technische Spezifikation: Version mit vergrößerter Ladefläche und Ladebordwänden aus Legierung[TOP DECK] |
| 35 | 612081 | Heckklappe | 1 | Technische Spezifikation: Version mit vergrößerter Ladefläche und Ladebordwänden aus Legierung[TOP DECK] |
| 36 | 612090 | Winkelisen links | 1 | Technische Spezifikation: Version mit vergrößerter Ladefläche und Ladebordwänden aus Legierung[TOP DECK] |
| 37 | 612089 | Winkelisen rechts | 1 | Technische Spezifikation: Version mit vergrößerter Ladefläche und Ladebordwänden aus Legierung[TOP DECK] |
| 38 | 612087 | Winkelisen links | 1 | Technische Spezifikation: Version mit vergrößerter Ladefläche und Ladebordwänden aus Legierung[TOP DECK] |
| 39 | 612098 | Verschlusschraube links | 1 | Technische Spezifikation: Version mit vergrößerter Ladefläche und Ladebordwänden aus Legierung[TOP DECK] |
| 40 | 612099 | Schraube | 4 | Technische Spezifikation: Version mit vergrößerter Ladefläche und Ladebordwänden aus Legierung[TOP DECK] |
| 41 | 003058 | Flachscheibe 15x8,4x1,5 | 4 | Technische Spezifikation: Version mit vergrößerter Ladefläche und Ladebordwänden aus Legierung[TOP DECK] |
| 42 | 612109 | Distanzscheibe | 4 | Technische Spezifikation: Version mit vergrößerter Ladefläche und Ladebordwänden aus Legierung[TOP DECK] |
| 43 | 612100 | Mutter | 4 | Technische Spezifikation: Version mit vergrößerter Ladefläche und Ladebordwänden aus Legierung[TOP DECK] |
| 44 | 612086 | Winkelisen rechts | 1 | Technische Spezifikation: Version mit vergrößerter Ladefläche und Ladebordwänden aus Legierung[TOP DECK] |

| | |
|---------------------|---|
| Einheit | Fahrgestell - Plastikformteil - Karosserien |
| Code | 02.21 |
| Beschreibung | Ladeflächen-Bordwände |
| Inspektion | 1 |



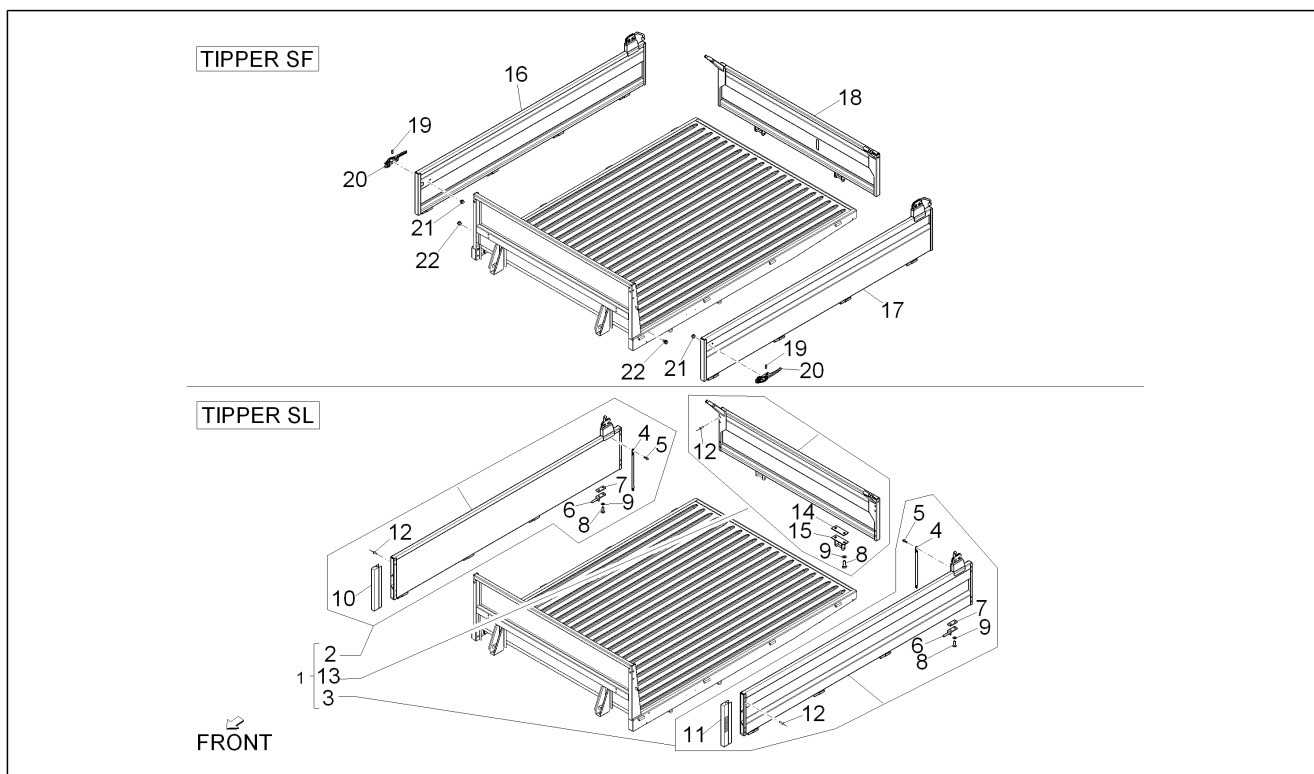
| Pos. | Code | Beschreibung | Menge | Varianten |
|------|--------|---------------------------|-------|--|
| 45 | 612097 | Verschlusschraube rechts | 1 | Technische Spezifikation: Version mit vergrößerter Ladefläche und Ladebordwänden aus Legierung[TOP DECK] |
| 46 | 018592 | Schraube | 8 | Technische Spezifikation: Version mit vergrößerter Ladefläche und Ladebordwänden aus Legierung[TOP DECK] |
| 47 | 016345 | Unterlegscheibe | 8 | Technische Spezifikation: Version mit vergrößerter Ladefläche und Ladebordwänden aus Legierung[TOP DECK] |
| 48 | 264753 | Gelenk | 4 | Technische Spezifikation: Version mit vergrößerter Ladefläche und Ladebordwänden aus Legierung[TOP DECK] |
| 49 | 264755 | Mutter | 4 | Technische Spezifikation: Version mit vergrößerter Ladefläche und Ladebordwänden aus Legierung[TOP DECK] |
| 50 | 567821 | Seitliche Bordwand rechts | 1 | Technische Spezifikation: Rechts[RH] Version mit vergrößerter Ladefläche und Ladebordwänden aus Eisen[BIG DECK] |
| 51 | 567820 | Seitliche Bordwand links | 1 | Technische Spezifikation: Links[LH] Version mit vergrößerter Ladefläche und Ladebordwänden aus Eisen[BIG DECK] |
| 52 | 263195 | Klappe komplett | 1 | Technische Spezifikation: Version mit vergrößerter Ladefläche und Ladebordwänden aus Eisen[BIG DECK] |
| 53 | 263547 | Schutz | 1 | Technische Spezifikation: Rechts[RH] Version mit vergrößerter Ladefläche und Ladebordwänden aus Eisen[BIG DECK] |
| 54 | 263548 | Schutz | 1 | Technische Spezifikation: Links[LH] Version mit vergrößerter Ladefläche und Ladebordwänden aus Eisen[BIG DECK] |
| 55 | 018508 | Schraube | 6 | Technische Spezifikation: Version mit vergrößerter Ladefläche und Ladebordwänden aus Eisen[BIG DECK] |
| 56 | 263214 | Linke haken | 1 | Technische Spezifikation: Links[LH] Version mit vergrößerter Ladefläche und Ladebordwänden aus Eisen[BIG DECK] |
| 57 | 263544 | Rechte haken | 1 | Technische Spezifikation: Rechts[RH] Version mit vergrößerter Ladefläche und Ladebordwänden aus Eisen[BIG DECK] |

| | |
|---------------------|---|
| Einheit | Fahrgestell - Plastikformteil - Karosserien |
| Code | 02.21 |
| Beschreibung | Ladeflächen-Bordwände |
| Inspektion | 1 |



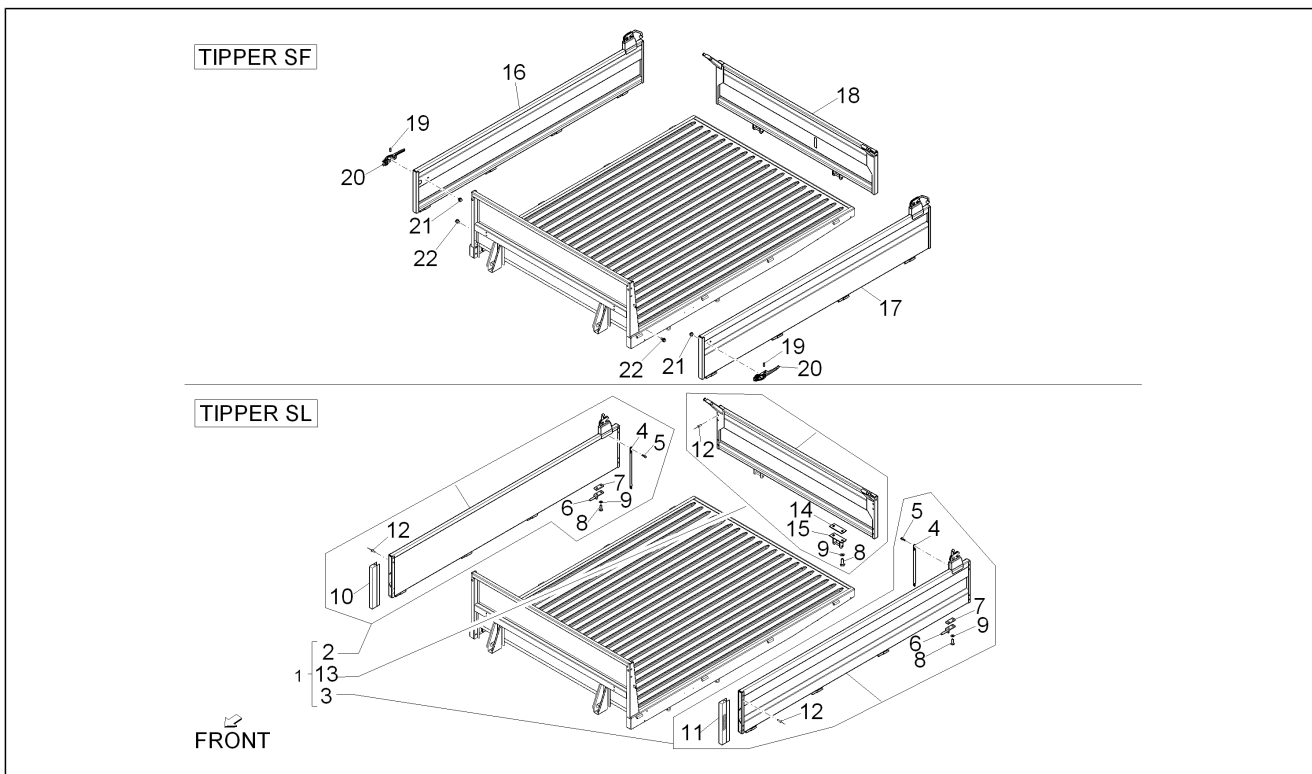
| Pos. | Code | Beschreibung | Menge | Varianten |
|------|---------------|--------------|-------|--|
| 58 | 216738 | Schraube | 4 | Technische Spezifikation: Version mit vergrößerter Ladefläche und Ladebordwänden aus Eisen[BIG DECK] |
| 59 | 6633187Z01000 | Puffer | 1 | Technische Spezifikation: Rechts[RH] Version mit vergrößerter Ladefläche und Ladebordwänden aus Eisen[BIG DECK] |
| 60 | 6633287Z01000 | Puffer | 1 | Technische Spezifikation: Links[LH] Version mit vergrößerter Ladefläche und Ladebordwänden aus Eisen[BIG DECK] |

| | |
|---------------------|---|
| Einheit | Fahrgestell - Plastikformteil - Karosserien |
| Code | 02.22 |
| Beschreibung | Ladeflächen-Bordwände (Tipper) |
| Inspektion | 1 |



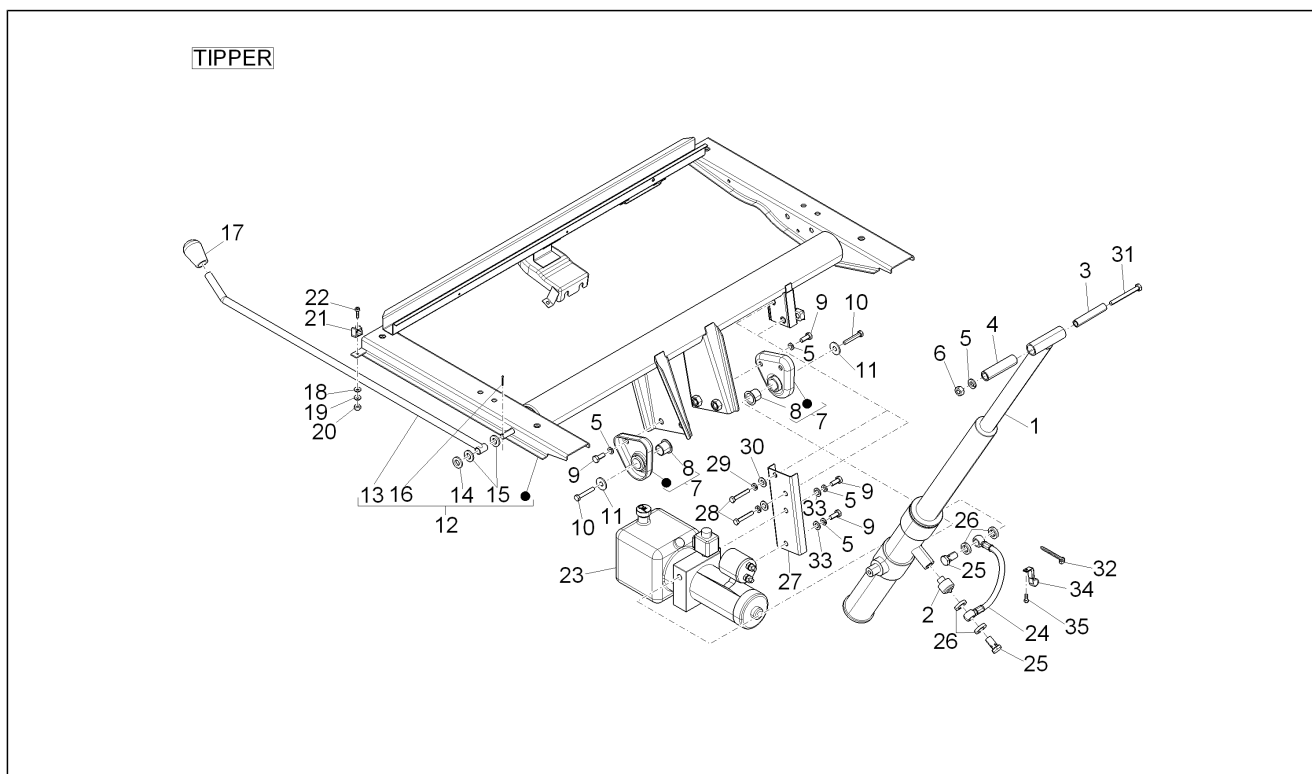
| Pos. | Code | Beschreibung | Menge | Varianten |
|------|---------|------------------------------|-------|---|
| 1 | B004697 | Bausatz ladeklappen | 1 | Technische Spezifikation: Version mit kippbarer Ladefläche und Ladebordwänden aus Legierung[TIPPER SL] |
| 2 | B005122 | Seitliche Bordwand rechts | 1 | Technische Spezifikation: Version mit kippbarer Ladefläche und Ladebordwänden aus Legierung[TIPPER SL] |
| 3 | B005121 | Seitliche Bordwand links | 1 | Technische Spezifikation: Version mit kippbarer Ladefläche und Ladebordwänden aus Legierung[TIPPER SL] |
| 4 | 612129 | Kette | 2 | Technische Spezifikation: Version mit kippbarer Ladefläche und Ladebordwänden aus Legierung[TIPPER SL] |
| 5 | 414837 | TE Schr. m. Flansch M6x25 | 2 | Technische Spezifikation: Version mit kippbarer Ladefläche und Ladebordwänden aus Legierung[TIPPER SL] |
| 6 | 644318 | Gelenk | 2 | Technische Spezifikation: Version mit kippbarer Ladefläche und Ladebordwänden aus Legierung[TIPPER SL] |
| 7 | 612124 | Platte | 8 | Technische Spezifikation: Version mit kippbarer Ladefläche und Ladebordwänden aus Legierung[TIPPER SL] |
| 8 | 031120 | Schraube | 20 | Technische Spezifikation: Version mit kippbarer Ladefläche und Ladebordwänden aus Legierung[TIPPER SL] |
| 9 | 016408 | Sprengscheibe 13,75x8,15x4,5 | 16 | Technische Spezifikation: Version mit kippbarer Ladefläche und Ladebordwänden aus Legierung[TIPPER SL] |
| 10 | B005127 | Griff re. | 1 | Technische Spezifikation: Version mit kippbarer Ladefläche und Ladebordwänden aus Legierung[TIPPER SL] |
| 11 | B005126 | L. Griff | 1 | Technische Spezifikation: Version mit kippbarer Ladefläche und Ladebordwänden aus Legierung[TIPPER SL] |
| 12 | 245736 | Kunststoffniet | 16 | Technische Spezifikation: Version mit kippbarer Ladefläche und Ladebordwänden aus Legierung[TIPPER SL] |
| 13 | B005123 | Hinterer Klappe komplett | 1 | Technische Spezifikation: Version mit kippbarer Ladefläche und Ladebordwänden aus Legierung[TIPPER SL] |
| 14 | B000224 | Platte | 2 | Technische Spezifikation: Version mit kippbarer Ladefläche und Ladebordwänden aus Legierung[TIPPER SL] |
| 15 | B005125 | Gelenk | 2 | Technische Spezifikation: Version mit kippbarer Ladefläche und Ladebordwänden aus Legierung[TIPPER SL] |
| 16 | 615263 | Seitliche Bordwand rechts | 1 | Technische Spezifikation: Version mit kippbarer Ladefläche und Ladebordwänden aus Eisen[TIPPER SF] |

| | |
|---------------------|---|
| Einheit | Fahrgestell - Plastikformteil - Karosserien |
| Code | 02.22 |
| Beschreibung | Ladeflächen-Bordwände (Tipper) |
| Inspektion | 1 |



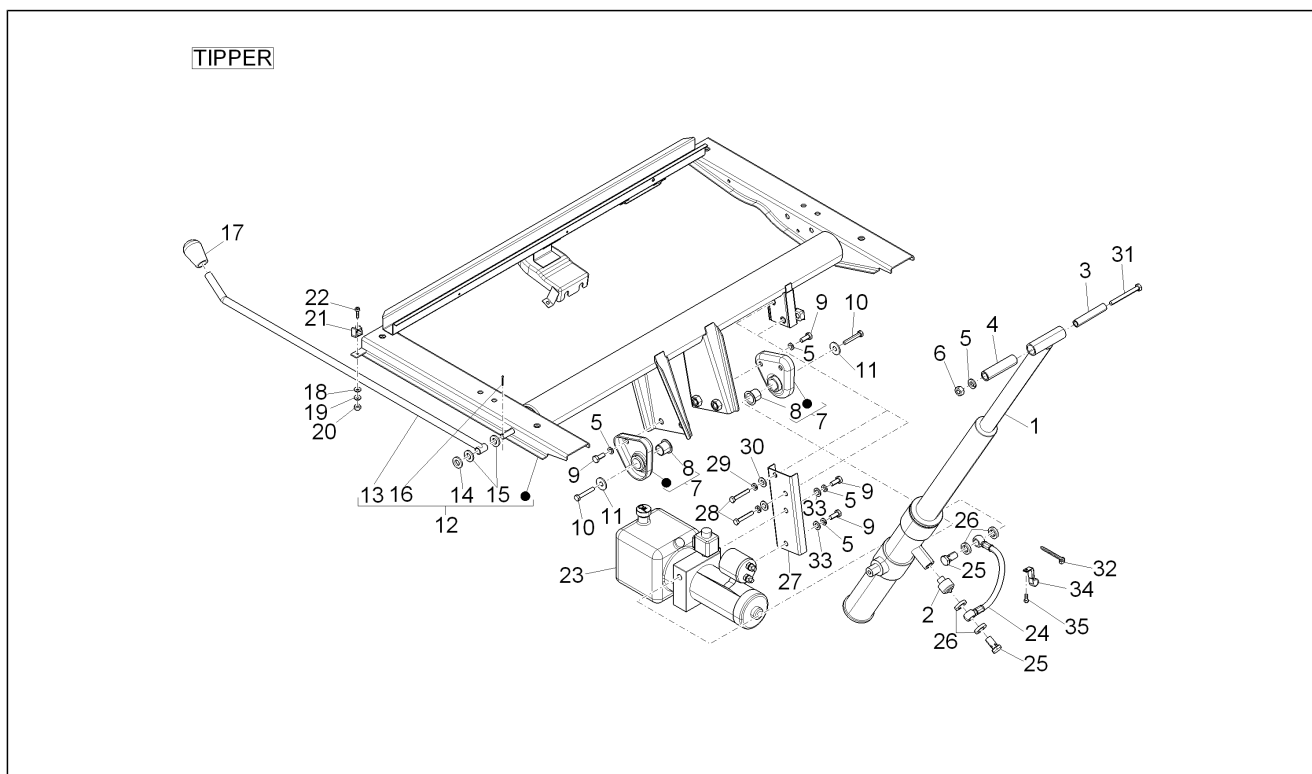
| Pos. | Code | Beschreibung | Menge | Varianten |
|------|---------------|--------------------------|-------|---|
| 17 | 615261 | Seitliche Bordwand links | 1 | Technische Spezifikation: Version mit kippbarer Ladefläche und Ladebordwänden aus Eisen[TIPPER SF] |
| 18 | 80051155 | Bordwand hinten | 1 | Technische Spezifikation: Version mit kippbarer Ladefläche und Ladebordwänden aus Eisen[TIPPER SF] |
| 19 | 6614687Z01000 | Puffer | 2 | Technische Spezifikation: Version mit kippbarer Ladefläche und Ladebordwänden aus Eisen[TIPPER SF] |
| 20 | 6610187Z01000 | Schloss | 2 | Technische Spezifikation: Version mit kippbarer Ladefläche und Ladebordwänden aus Eisen[TIPPER SF] |
| 21 | 9165140610000 | Schraube | 4 | Technische Spezifikation: Version mit kippbarer Ladefläche und Ladebordwänden aus Eisen[TIPPER SF] |
| 22 | 9338516014000 | Schraube | 2 | Technische Spezifikation: Version mit kippbarer Ladefläche und Ladebordwänden aus Eisen[TIPPER SF] |

| | |
|---------------------|---|
| Einheit | Fahrgestell - Plastformteil - Karosserien |
| Code | 02.23 |
| Beschreibung | Kippsystem |
| Inspektion | 1 |



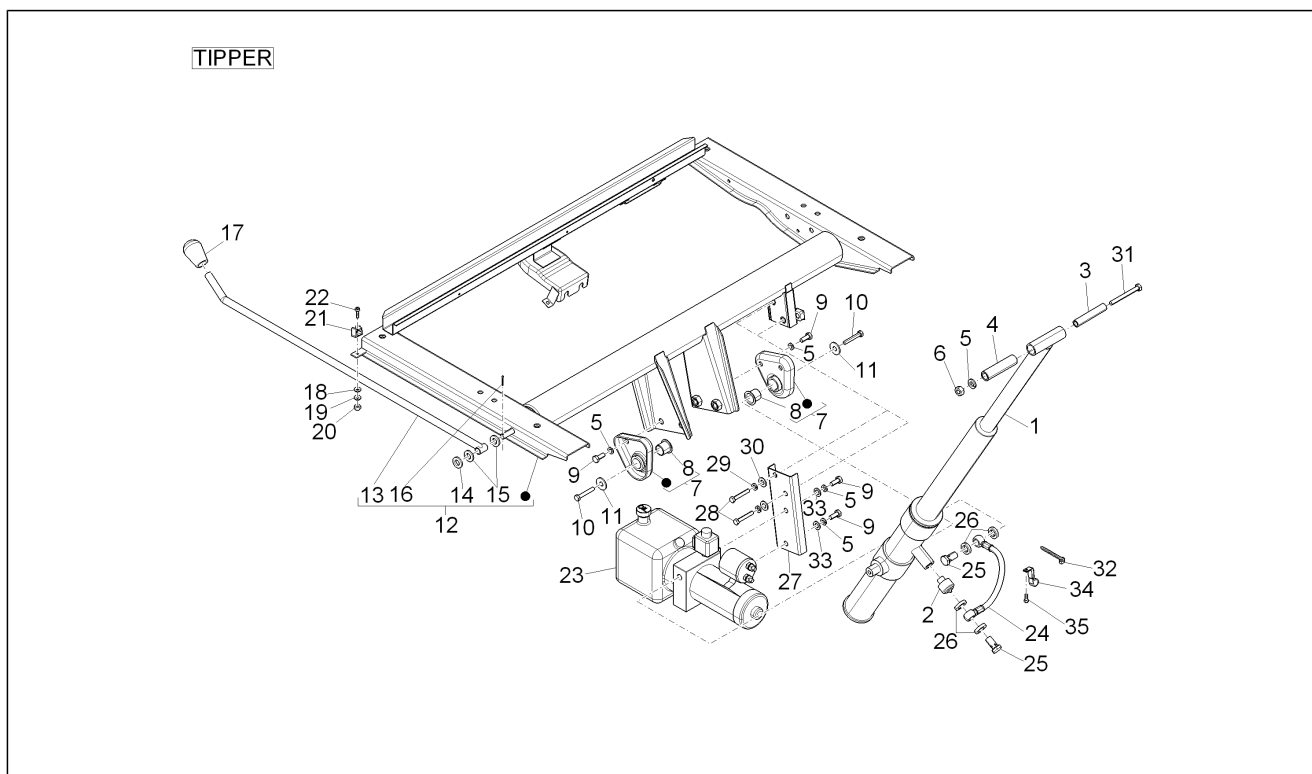
| Pos. | Code | Beschreibung | Menge | Varianten |
|------|----------|-----------------------------|-------|---|
| 1 | 56583R | Hydraulischer Hebebock | 1 | Technische Spezifikation: Version mit kippbarer Ladefläche[TIPPER] |
| 2 | 1E002423 | Sicherheitsventil | 1 | Technische Spezifikation: Version mit kippbarer Ladefläche[TIPPER] |
| 2 | 567246 | Sicherheitsventil | 1 | Technische Spezifikation: Version mit kippbarer Ladefläche[TIPPER] |
| 3 | 1180234 | Distanzscheibe | 1 | Technische Spezifikation: Version mit kippbarer Ladefläche[TIPPER] |
| 4 | 118020 | Hülse | 1 | Technische Spezifikation: Version mit kippbarer Ladefläche[TIPPER] |
| 5 | 016410 | Unterlegscheibe 17,6x11x2,5 | 6 | Technische Spezifikation: Version mit kippbarer Ladefläche[TIPPER] |
| 6 | 020110 | Mutter M10 6H | 1 | Technische Spezifikation: Version mit kippbarer Ladefläche[TIPPER] |
| 7 | 648201 | Federteller Winde komplett | 2 | Technische Spezifikation: Version mit kippbarer Ladefläche[TIPPER] |
| 8 | 648205 | Buchse | 2 | Technische Spezifikation: Version mit kippbarer Ladefläche[TIPPER] |
| 9 | 031153 | Schraubbolzen | 6 | Technische Spezifikation: Version mit kippbarer Ladefläche[TIPPER] |
| 10 | 031115 | Schraubbolzen | 2 | Technische Spezifikation: Version mit kippbarer Ladefläche[TIPPER] |
| 11 | 118563 | Unterlegscheibe | 2 | Technische Spezifikation: Version mit kippbarer Ladefläche[TIPPER] |
| 12 | 8005677 | Gegenrahmen | 1 | Technische Spezifikation: Version mit kippbarer Ladefläche[TIPPER] |
| 13 | 648220 | Sicherheitsstange | 1 | Technische Spezifikation: Version mit kippbarer Ladefläche[TIPPER] |
| 14 | 709037 | Flachscheibe 20x12,5x2 | 1 | Technische Spezifikation: Version mit kippbarer Ladefläche[TIPPER] |
| 15 | 118745 | Unterlegscheibe | 2 | Technische Spezifikation: Version mit kippbarer Ladefläche[TIPPER] |

| | |
|---------------------|---|
| Einheit | Fahrgestell - Plastikformteil - Karosserien |
| Code | 02.23 |
| Beschreibung | Kippsystem |
| Inspektion | 1 |



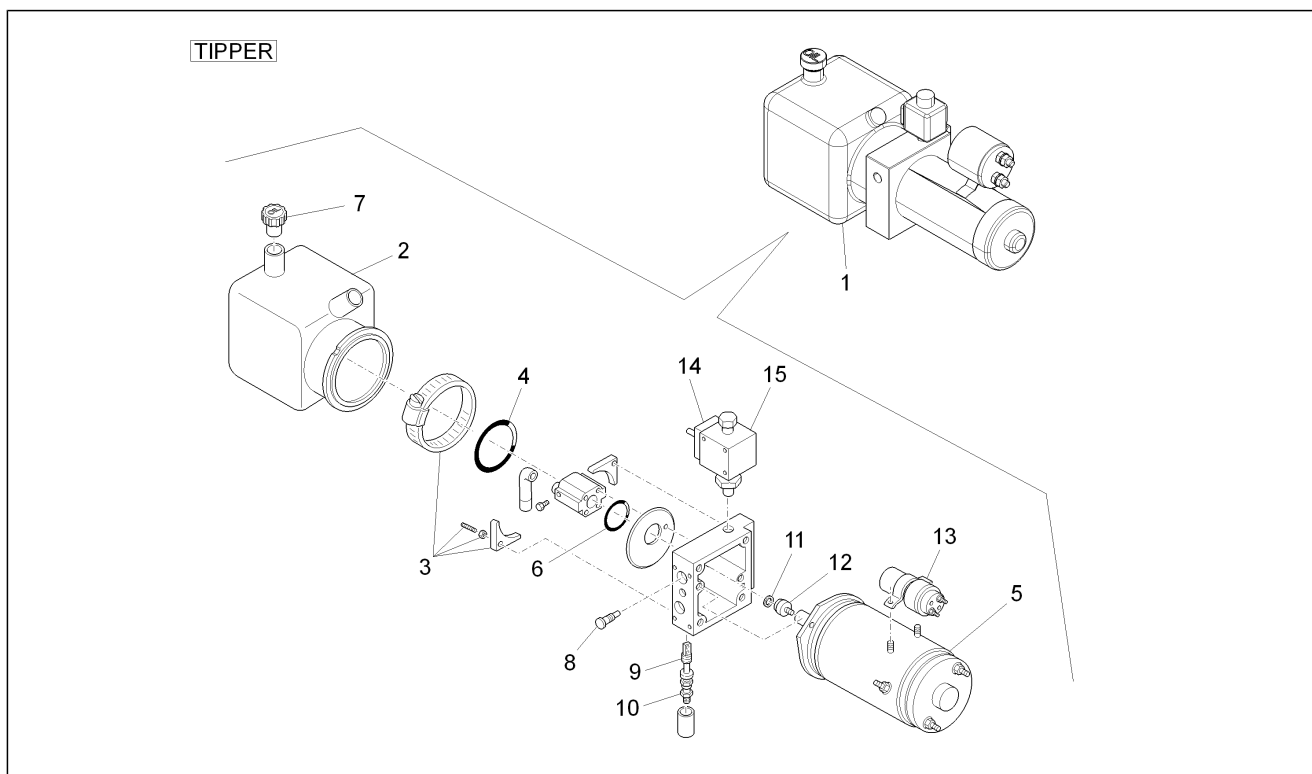
| Pos. | Code | Beschreibung | Menge | Varianten |
|------|-------------|-----------------------------------|-------|---|
| 16 | 012778 | Splint | 1 | Technische Spezifikation: Version mit kippbarer Ladefläche[TIPPER] |
| 17 | 264887 | Deckel | 1 | Technische Spezifikation: Version mit kippbarer Ladefläche[TIPPER] |
| 18 | 003055 | U.scheibe 5,4x10x0,8 | 1 | Technische Spezifikation: Version mit kippbarer Ladefläche[TIPPER] |
| 19 | 016405 | Federring 8,5x5,1x1,5 | 1 | Technische Spezifikation: Version mit kippbarer Ladefläche[TIPPER] |
| 20 | 020105 | Mutter | 1 | Technische Spezifikation: Version mit kippbarer Ladefläche[TIPPER] |
| 21 | 264268 | Stangenkupplung | 1 | Technische Spezifikation: Version mit kippbarer Ladefläche[TIPPER] |
| 22 | D9321955016 | Sechskantschraube | 1 | Technische Spezifikation: Version mit kippbarer Ladefläche[TIPPER] |
| 23 | 264266 | Verteilerpumpe komplett | 1 | Technische Spezifikation: Version mit kippbarer Ladefläche[TIPPER] |
| 24 | 648225 | Schlauch komplett mit anschlossen | 1 | Technische Spezifikation: Version mit kippbarer Ladefläche[TIPPER] |
| 25 | 565057 | Schraube | 2 | Technische Spezifikation: Version mit kippbarer Ladefläche[TIPPER] |
| 26 | 218623 | Dichtung | 4 | Technische Spezifikation: Version mit kippbarer Ladefläche[TIPPER] |
| 27 | 661184 | Pumpe Lager | 1 | Technische Spezifikation: Version mit kippbarer Ladefläche[TIPPER] |
| 28 | 031119 | Sechskantschraube M8x22 | 2 | Technische Spezifikation: Version mit kippbarer Ladefläche[TIPPER] |
| 29 | 003058 | Flachscheibe 15x8,4x1,5 | 2 | Technische Spezifikation: Version mit kippbarer Ladefläche[TIPPER] |
| 30 | 016408 | Sprengscheibe 13,75x8,15x4,5 | 2 | Technische Spezifikation: Version mit kippbarer Ladefläche[TIPPER] |
| 31 | 030113 | Schraube | 1 | Technische Spezifikation: Version mit kippbarer Ladefläche[TIPPER] |

| | |
|---------------------|---|
| Einheit | Fahrgestell - Plastikformteil - Karosserien |
| Code | 02.23 |
| Beschreibung | Kippsystem |
| Inspektion | 1 |



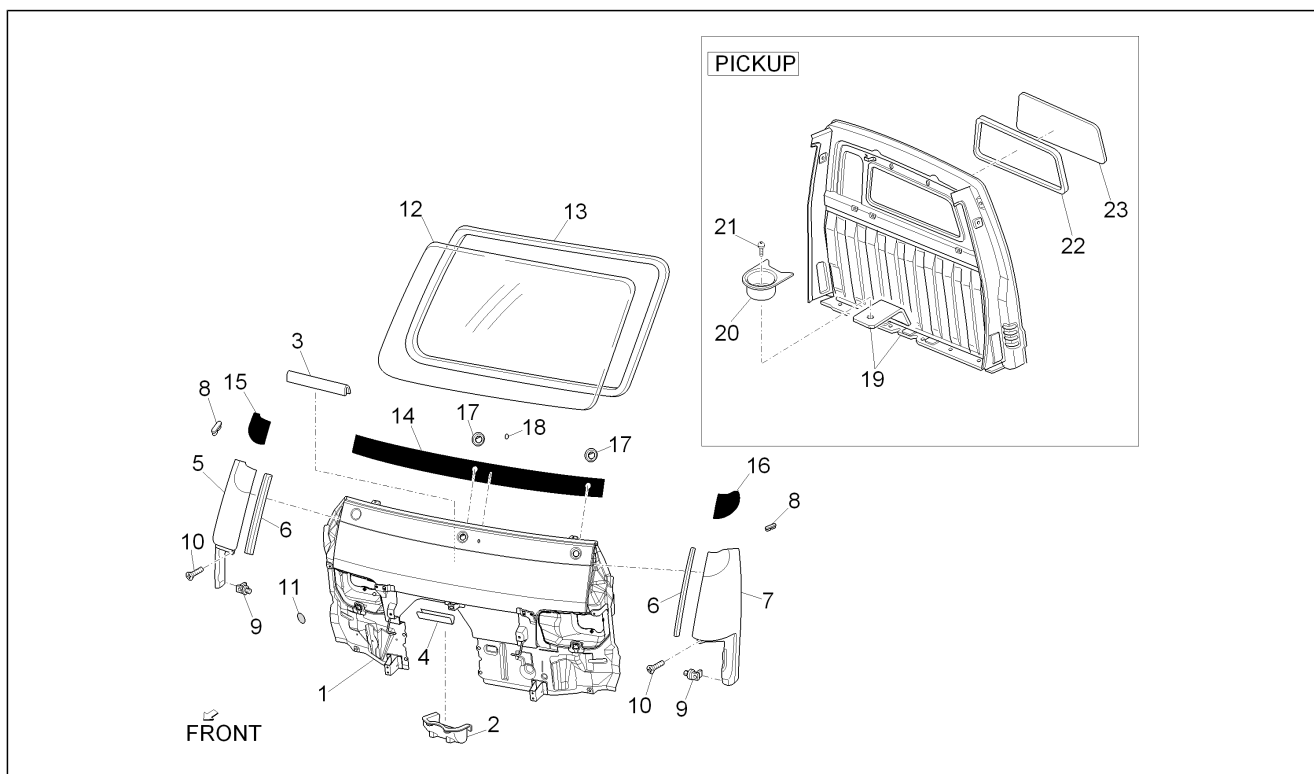
| Pos. | Code | Beschreibung | Menge | Varianten |
|------|-------------|---------------------|-------|---|
| 32 | 257134 | Reißschelle L=277 | 1 | Technische Spezifikation: Version mit kippbarer Ladefläche[TIPPER] |
| 33 | 016626 | U.scheibe 10,4x18x2 | 2 | Technische Spezifikation: Version mit kippbarer Ladefläche[TIPPER] |
| 34 | D9004461423 | Schelle | 1 | Technische Spezifikation: Version mit kippbarer Ladefläche[TIPPER] |
| 35 | D9166140616 | Sechskantschraube | 1 | Technische Spezifikation: Version mit kippbarer Ladefläche[TIPPER] |

| | |
|---------------------|---|
| Einheit | Fahrgestell - Plastformteil - Karosserien |
| Code | 02.24 |
| Beschreibung | Kipppumpe - Bestandteile |
| Inspektion | 1 |



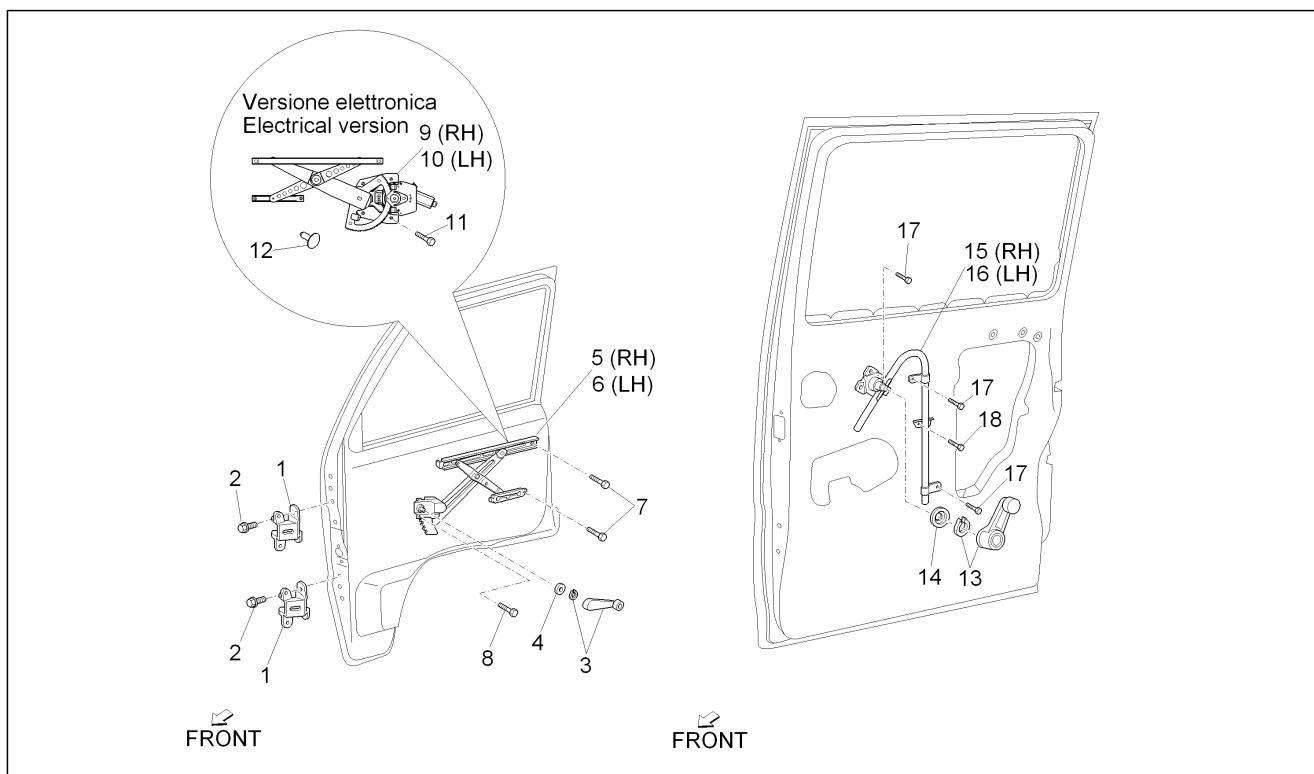
| Pos. | Code | Beschreibung | Menge | Varianten |
|------|--------|-------------------------|-------|---|
| 1 | 264266 | Verteilerpumpe komplett | 1 | Technische Spezifikation: Version mit kippbarer Ladefläche[TIPPER] |
| 2 | 264811 | Tank | 1 | Technische Spezifikation: Version mit kippbarer Ladefläche[TIPPER] |
| 3 | 264812 | Bausatz | 1 | Technische Spezifikation: Version mit kippbarer Ladefläche[TIPPER] |
| 4 | 264823 | O-Ring | 1 | Technische Spezifikation: Version mit kippbarer Ladefläche[TIPPER] |
| 5 | 264816 | Motor | 1 | Technische Spezifikation: Version mit kippbarer Ladefläche[TIPPER] |
| 6 | 264822 | O-Ring | 1 | Technische Spezifikation: Version mit kippbarer Ladefläche[TIPPER] |
| 7 | 264828 | Deckel | 1 | Technische Spezifikation: Version mit kippbarer Ladefläche[TIPPER] |
| 8 | 264819 | Ventil | 1 | Technische Spezifikation: Version mit kippbarer Ladefläche[TIPPER] |
| 9 | 264826 | Schraube | 1 | Technische Spezifikation: Version mit kippbarer Ladefläche[TIPPER] |
| 10 | 264827 | Ventil | 1 | Technische Spezifikation: Version mit kippbarer Ladefläche[TIPPER] |
| 11 | 264821 | Ölabstreifring | 1 | Technische Spezifikation: Version mit kippbarer Ladefläche[TIPPER] |
| 12 | 264813 | Kreuzgelenk | 1 | Technische Spezifikation: Version mit kippbarer Ladefläche[TIPPER] |
| 13 | 493433 | Zündrelais | 1 | Technische Spezifikation: Version mit kippbarer Ladefläche[TIPPER] |
| 14 | 264818 | Solenoid | 1 | Technische Spezifikation: Version mit kippbarer Ladefläche[TIPPER] |
| 15 | 264817 | Elektroventil | 1 | Technische Spezifikation: Version mit kippbarer Ladefläche[TIPPER] |

| | |
|---------------------|---|
| Einheit | Fahrgestell - Plastformteil - Karosserien |
| Code | 02.25 |
| Beschreibung | Windschutzscheibe - Scheiben |
| Inspektion | 1 |



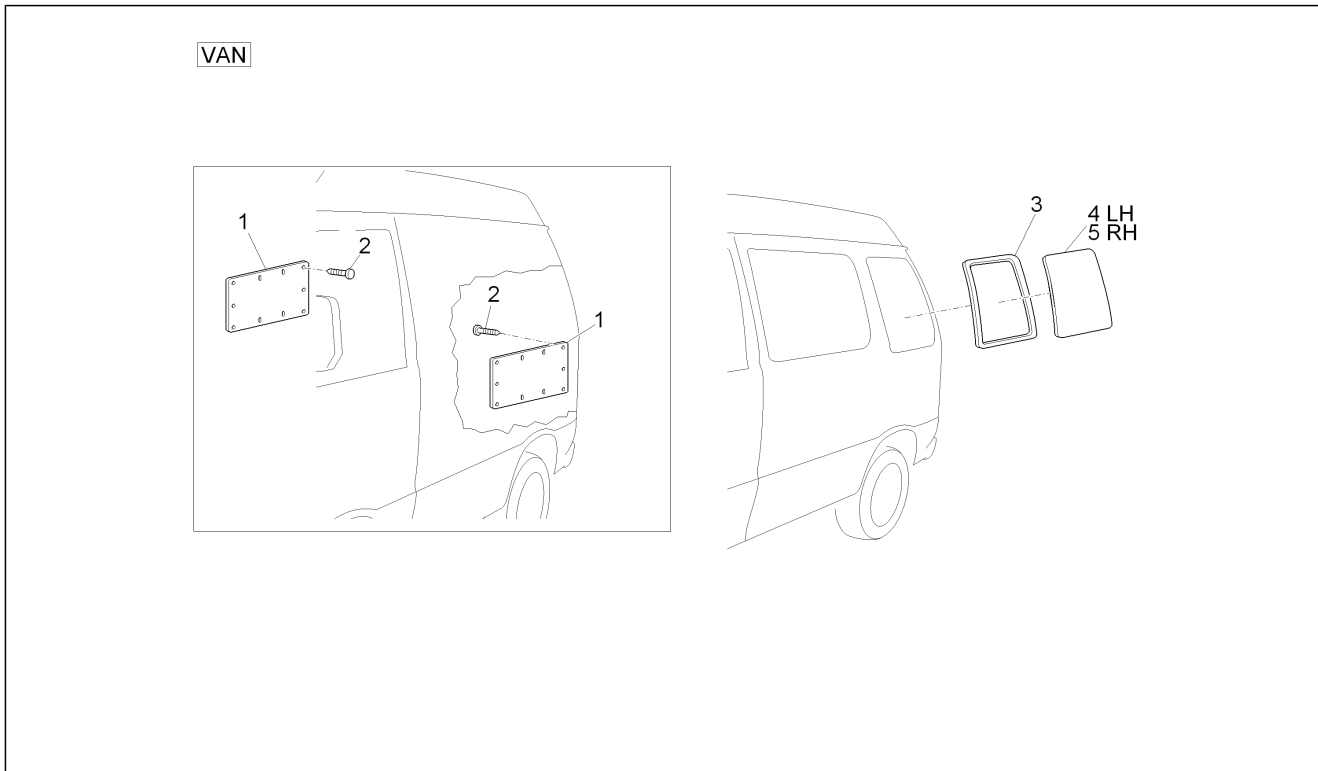
| Pos. | Code | Beschreibung | Menge | Varianten |
|------|---------------|--|-------|--|
| 1 | B0042085 | Frontpaneel | 1 | |
| 1 | B0233705 | Frontpaneel | 1 | |
| 1 | 1E0011855 | Frontpaneel | 1 | Technische Spezifikation: Modellversion mit Vorrichtung DRL "Daytime Running Lamp"[DRL] |
| 2 | 8723987Z02000 | Deckel | 1 | |
| 3 | 5574187Z01000 | Schutz vordere verkleidung | 1 | |
| 4 | 565195 | Schutz | 1 | |
| 5 | 566083 | Vordere rechte verkleidung | 1 | |
| 6 | 5382387Z01130 | Schutz seitliche vordere Verkleidung | 2 | |
| 7 | 566084 | Vordere linke seitliche verkleidung | 1 | |
| 8 | 5382187Z01130 | Schutz seitliche vordere Verkleidung | 2 | |
| 9 | D9004467076 | Klammer | 4 | |
| 10 | 9004159230000 | Schraubbolzen | 6 | |
| 11 | D9004874004 | Deckel | 1 | |
| 12 | B007324 | Windschutzscheibe | 1 | |
| 13 | 5612187Z01000 | Dichtung windschutzscheibe | 1 | |
| 14 | B000883 | Mittlerer Film unter Windschutzscheibe LHD | 1 | |
| 15 | B000882 | Film rechts | 1 | |
| 16 | B000881 | Film links | 1 | |
| 17 | B000822 | Bohrungsschutz | 2 | |
| 18 | B000823 | Bohrungsschutz | 1 | |
| 19 | B0044495 | Hintere Trennwand | 1 | Technische Spezifikation: Alle Pick-up-Versionen[PICKUP] |
| 20 | B005327 | Flaschenhalter | 1 | Technische Spezifikation: Alle Pick-up-Versionen[PICKUP] |
| 21 | 296170 | Schraube M6x14 | 1 | Technische Spezifikation: Alle Pick-up-Versionen[PICKUP] |
| 22 | 6483187Z01000 | Fensterdichtung hinten | 1 | Technische Spezifikation: Alle Pick-up-Versionen[PICKUP] |
| 23 | B007327 | Heckscheibe grün | 1 | Technische Spezifikation: Alle Pick-up-Versionen[PICKUP] |

| | |
|---------------------|---|
| Einheit | Fahrgestell - Plastikformteil - Karosserien |
| Code | 02.26 |
| Beschreibung | Fensterheber vorne und hinten |
| Inspektion | 1 |



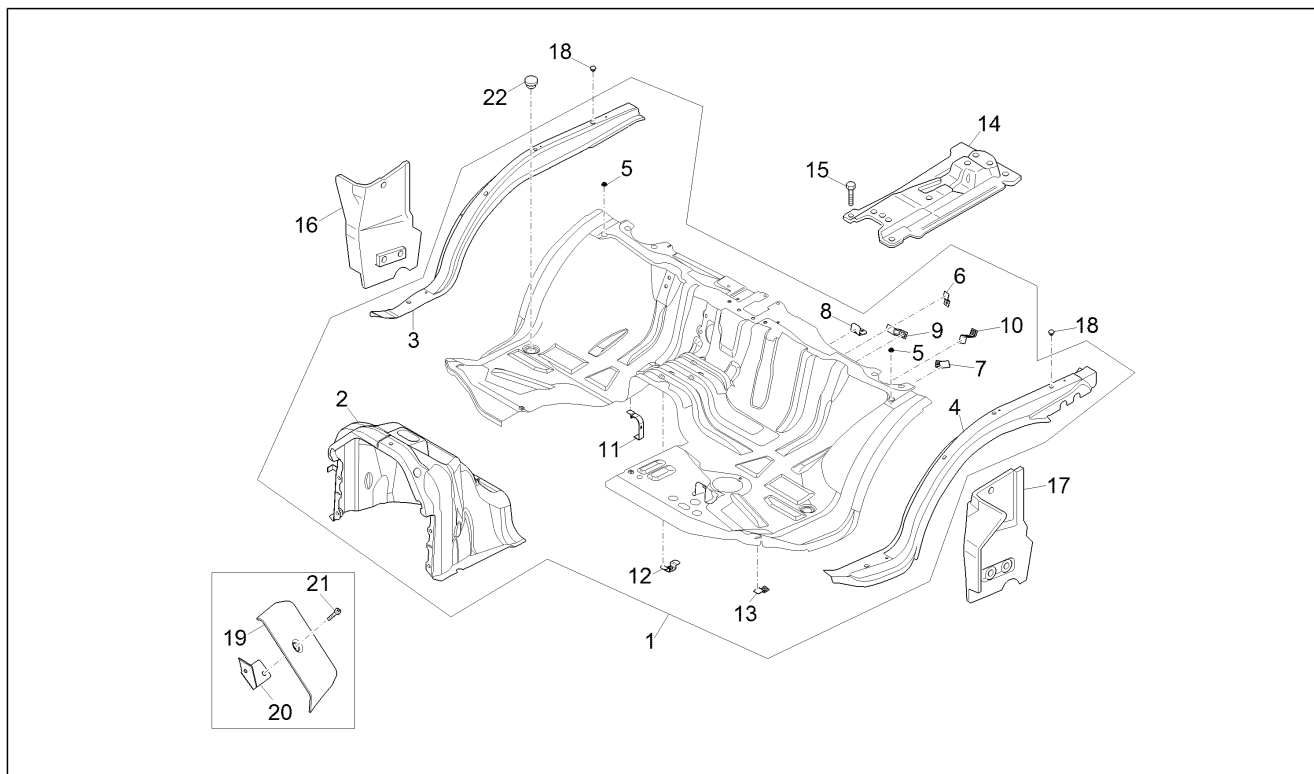
| Pos. | Code | Beschreibung | Menge | Varianten |
|------|---------------|------------------------|-------|---|
| 1 | 6871087Z01000 | Türscharnier vorne | 4 | |
| 2 | 9004119620000 | Schraubbolzen | 16 | |
| 3 | 6926087Z01000 | Fensterheber | 2 | |
| 4 | 6928587Z01000 | Scheibe fensterhebel | 2 | |
| 5 | 55569R | Scheibenheber rechts | 1 | Technische Spezifikation: Rechts[RH] |
| 6 | 55570R | Scheibenheber links | 1 | Technische Spezifikation: Links[LH] |
| 7 | 9162140610000 | Schraubbolzen | 4 | |
| 8 | 9165140612000 | Schraubbolzen | 10 | |
| 9 | 661047 | Scheibenheber rechts | 1 | Technische Spezifikation: Rechts[RH] |
| 10 | 661048 | Scheibenheber links | 1 | Technische Spezifikation: Links[LH] |
| 11 | 9165140612000 | Schraubbolzen | 16 | |
| 12 | 098698 | Deckel | 2 | |
| 13 | 6920787Z01030 | Fensterheber | 2 | Technische Spezifikation: Kastenwagen mit Fenstern[VAN GLASS] |
| 14 | 6928587Z01000 | Scheibe fensterhebel | 2 | Technische Spezifikation: Kastenwagen mit Fenstern[VAN GLASS] |
| 15 | B005948 | Fensterheber li hinten | 1 | Technische Spezifikation: Kastenwagen mit Fenstern[VAN GLASS] Links[LH] |
| 16 | B005949 | Fensterheber re hinten | 1 | Technische Spezifikation: Kastenwagen mit Fenstern[VAN GLASS] Rechts[RH] |
| 17 | 9162140610000 | Schraubbolzen | 8 | Technische Spezifikation: Kastenwagen mit Fenstern[VAN GLASS] |
| 18 | D9165140612 | Sechskantschraube | 6 | Technische Spezifikation: Kastenwagen mit Fenstern[VAN GLASS] |

| | |
|---------------------|---|
| Einheit | Fahrgestell - Plastikformteil - Karosserien |
| Code | 02.27 |
| Beschreibung | Hintere Seitenfenster - Paneele |
| Inspektion | 1 |



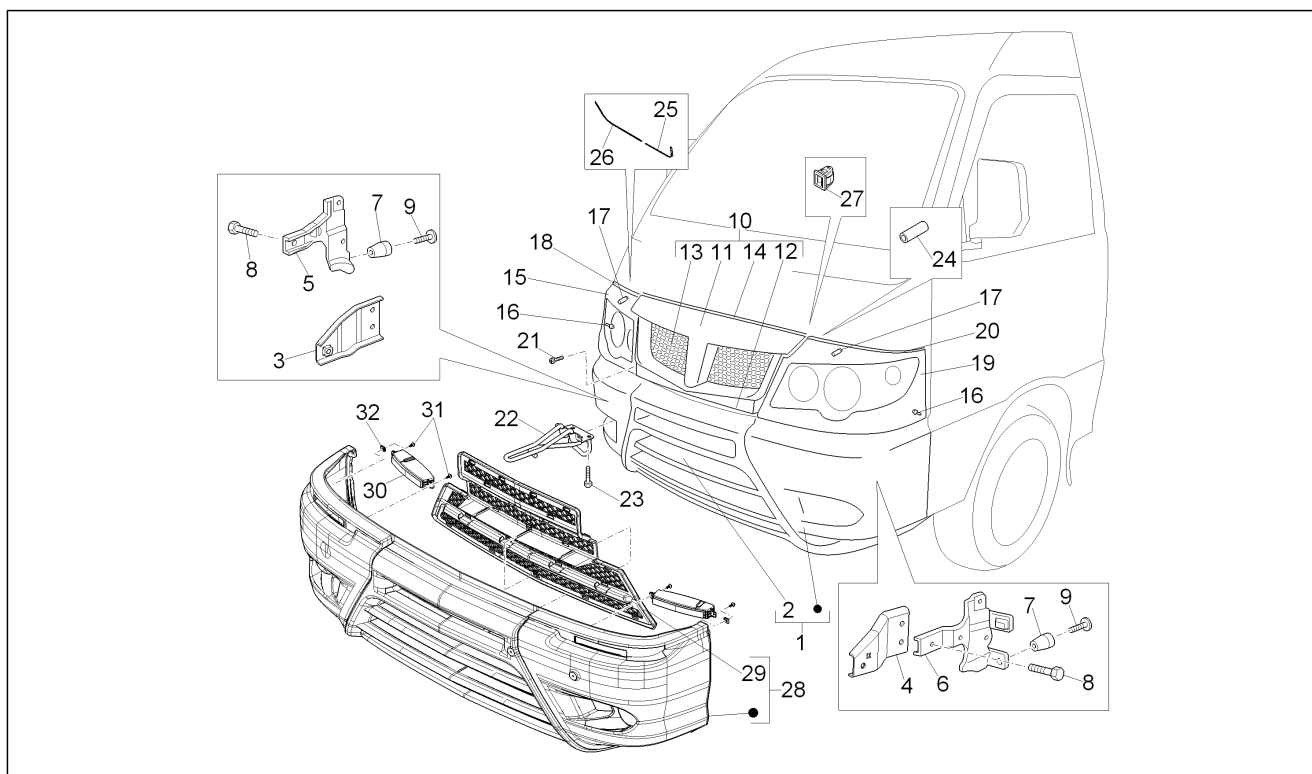
| Pos. | Code | Beschreibung | Menge | Varianten |
|------|---------------|------------------------|-------|---|
| 1 | B004499 | Innere verkleidung | 2 | Technische Spezifikation: Kastenwagen[VAN] |
| 2 | 6777187Z01000 | Schraube | 20 | Technische Spezifikation: Kastenwagen[VAN] |
| 3 | 6274187Z01000 | Dichtung seitenfenster | 2 | Technische Spezifikation: Kastenwagen mit Fenstern[VAN GLASS] |
| 4 | B007331 | Fensterscheibe links | 1 | Technische Spezifikation: Links[LH] Kastenwagen mit Fenstern[VAN GLASS] |
| 5 | B007330 | Fensterscheibe rechts | 1 | Technische Spezifikation: Rechts[RH] Kastenwagen mit Fenstern[VAN GLASS] |

| | |
|---------------------|---|
| Einheit | Fahrgestell - Plastformteil - Karosserien |
| Code | 02.29 |
| Beschreibung | Vorderes Bodenpaneel |
| Inspektion | 1 |



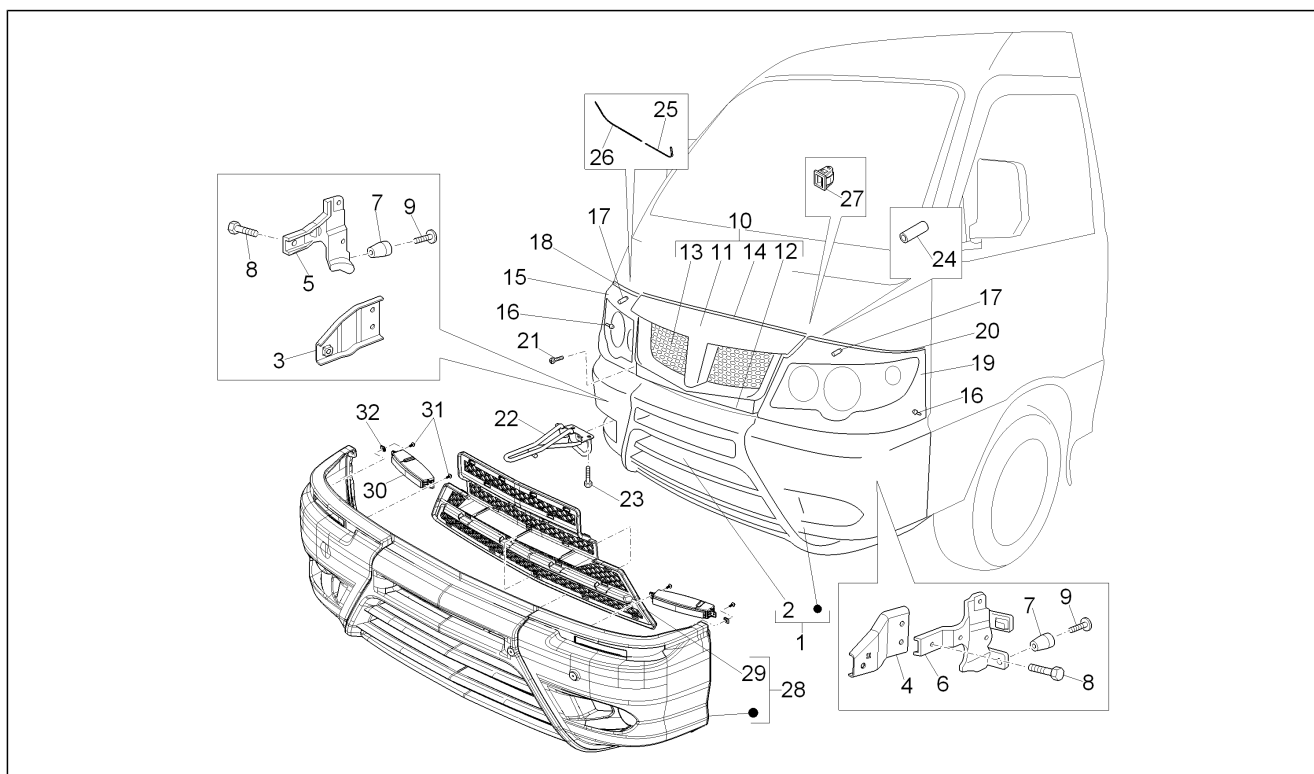
| Pos. | Code | Beschreibung | Menge | Varianten |
|------|---------------|-----------------------------------|-------|--|
| 1 | B0076925 | Vorderer boden komplett | 1 | |
| 1 | B0076935 | Vorderer boden komplett | 1 | Technische Spezifikation: Version mit Klimaanlage[AC] |
| 2 | B0071125 | Kühlraum | 1 | |
| 3 | 5823187Z02000 | Paneel seitlicher Boden rechts | 1 | |
| 4 | 5823287Z02000 | Seitlich linkes bodenelement | 1 | |
| 5 | 5852387Z01000 | Haken | 2 | |
| 6 | 4445787Z01000 | Halter | 1 | |
| 7 | 5375387Z01000 | Rückhalter behälter scheibenwasch | 1 | |
| 8 | 5837987Z01000 | Befestigung heizungsrohr | 1 | |
| 9 | D5512787Z01 | Tankfixierung | 1 | |
| 10 | 5375287Z01000 | Befestigung behälter waschanlage | 1 | |
| 11 | 9004463232000 | Schelle | 1 | |
| 12 | 5375187Z01000 | Winkel | 1 | |
| 13 | 4738287Z01000 | Halter | 1 | |
| 14 | 5510387Z03000 | Einstellplatte sitz | 1 | |
| 15 | D9166140612 | Schraubbolzen | 2 | |
| 16 | 5824187Z02000 | Bodenblech rechte seite | 1 | |
| 17 | 5824287Z02000 | Bodenblech linke seite | 1 | |
| 18 | 9004874011000 | Deckel | 8 | |
| 19 | B004252 | Fussrasten linke | 1 | |
| 20 | B004254 | Bügel | 1 | |
| 21 | 259830 | Metrische Schraube M6x20 | 1 | |
| 22 | D9004871098 | Verschlusschraube | 2 | |

| | |
|---------------------|---|
| Einheit | Fahrgestell - Plastikformteil - Karosserien |
| Code | 02.30 |
| Beschreibung | Verkleidungen vorne |
| Inspektion | 1 |



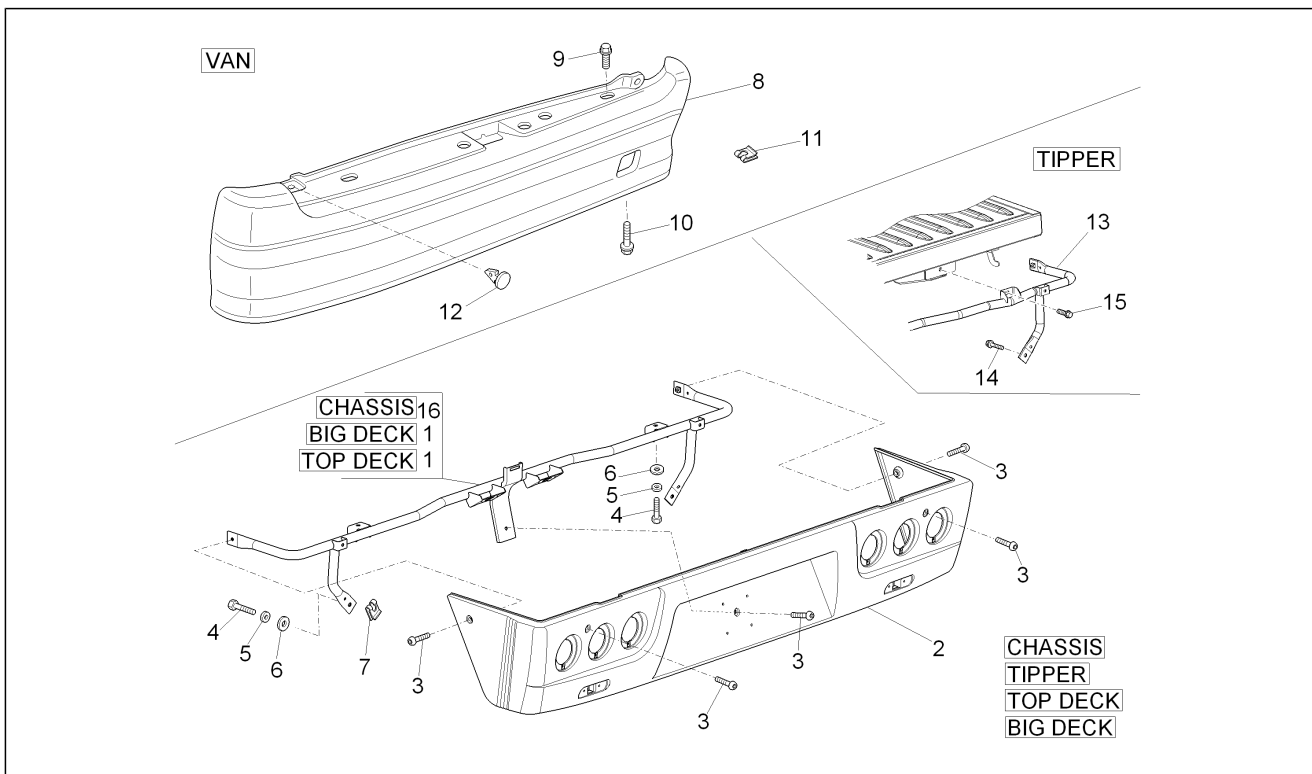
| Pos. | Code | Beschreibung | Menge | Varianten |
|------|---------------|---------------------------------------|-------|-----------|
| 1 | B000963 | Stürzbügel vorn | 1 | |
| 2 | B004249 | Stoßfängergitter vorne | 1 | |
| 3 | B000833 | Rechtes bügel | 1 | |
| 4 | B000835 | Linkes bügel | 1 | |
| 5 | 5213387Z01000 | Befestigung vordere rechte stoßstang | 1 | |
| 6 | 5213487Z01000 | Befestigung vorderer linker kotflügel | 1 | |
| 7 | 9004468200000 | Schelle | 2 | |
| 8 | 9165140614000 | Schraubbolzen | 4 | |
| 9 | 9004159364000 | Schraube | 2 | |
| 10 | B007853 | Blende | 1 | |
| 11 | B007854 | Blende oben | 1 | |
| 12 | B000966 | Blende unten | 1 | |
| 13 | B004250 | Gitter | 1 | |
| 14 | B000945 | Schutz | 1 | |
| 15 | B000831 | R. Kranzgesims | 1 | |
| 16 | B000944 | Kleine Feder | 2 | |
| 17 | 566300 | Klammer | 2 | |
| 18 | B000836 | Rechter schutz | 2 | |
| 19 | B000832 | L. Kranzgesims | 1 | |
| 20 | B000949 | Linker schutz | 2 | |
| 21 | 9356855012000 | Schraube | 4 | |
| 22 | 658987 | Anhängerkupplung | 1 | |
| 23 | 9165140820000 | Schraubbolzen | 3 | |
| 24 | B000985 | Röhrchen | 2 | |
| 25 | B007856 | L. Kranzgesims | 1 | |
| 26 | B007855 | R. Kranzgesims | 1 | |
| 27 | 566737 | Verankerungseinheit | 5 | |

| | |
|---------------------|---|
| Einheit | Fahrgestell - Plastikformteil - Karosserien |
| Code | 02.30 |
| Beschreibung | Verkleidungen vorne |
| Inspektion | 1 |



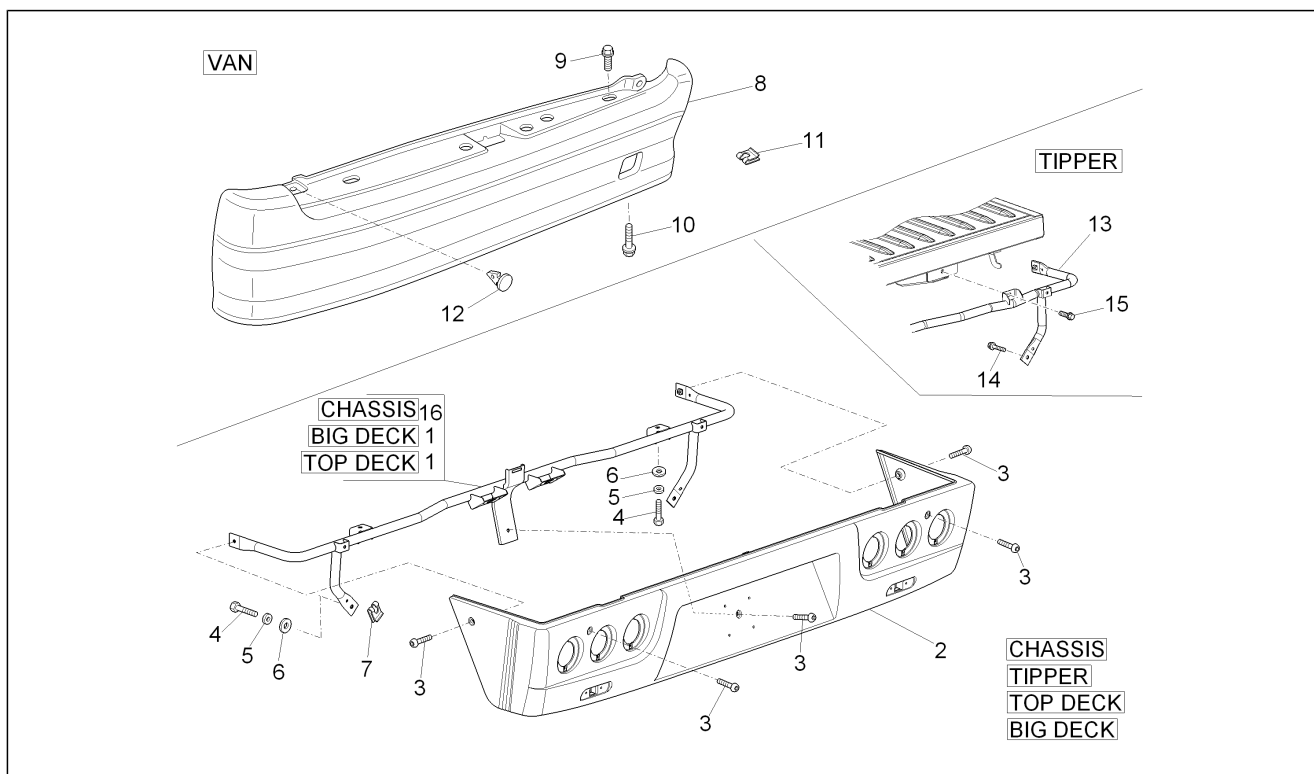
| Pos. | Code | Beschreibung | Menge | Varianten |
|------|---------------|------------------------|-------|--|
| 28 | 1E001096 | Stürzbügel vorn | 1 | Technische Spezifikation: Modellversion mit Vorrichtung DRL "Daytime Running Lamp"[DRL] |
| 29 | B004249 | Stoßfängergitter vorne | 1 | |
| 30 | 1E001098 | Halter | 2 | Technische Spezifikation: Modellversion mit Vorrichtung DRL "Daytime Running Lamp"[DRL] |
| 31 | 9356755014000 | Schraube | 4 | Technische Spezifikation: Modellversion mit Vorrichtung DRL "Daytime Running Lamp"[DRL] |
| 32 | CM017414 | Federplättchen | 2 | Technische Spezifikation: Modellversion mit Vorrichtung DRL "Daytime Running Lamp"[DRL] |

| | |
|---------------------|---|
| Einheit | Fahrgestell - Plastikformteil - Karosserien |
| Code | 02.31 |
| Beschreibung | Hinterabdeckung |
| Inspektion | 1 |



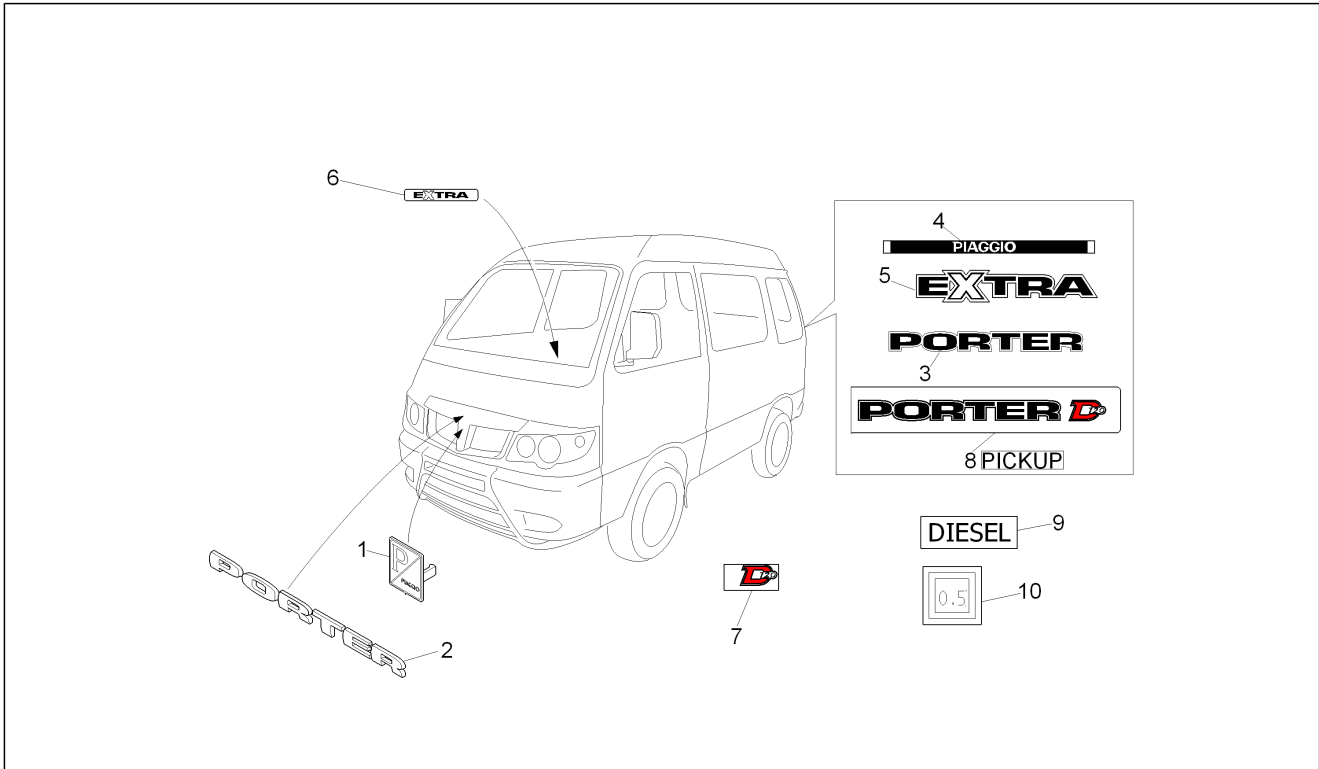
| Pos. | Code | Beschreibung | Menge | Varianten |
|------|---------|----------------------------|-------|--|
| 1 | B004312 | Stoßfängerträger | 1 | Technische Spezifikation: Version mit vergrößerter Ladefläche und Ladebordwänden aus Eisen[BIG DECK] Version mit vergrößerter Ladefläche und Ladebordwänden aus Legierung[TOP DECK] |
| 2 | 614833 | Stosstange hinten | 1 | Technische Spezifikation: Version mit vergrößerter Ladefläche und Ladebordwänden aus Eisen[BIG DECK] Version mit vergrößerter Ladefläche und Ladebordwänden aus Legierung[TOP DECK] Version mit kippbarer Ladefläche[TIPPER] |
| 3 | 259830 | Metrische Schraube M6x20 | 5 | Technische Spezifikation: Version mit vergrößerter Ladefläche und Ladebordwänden aus Eisen[BIG DECK] Version mit vergrößerter Ladefläche und Ladebordwänden aus Legierung[TOP DECK] Version mit kippbarer Ladefläche[TIPPER] |
| 4 | 031089 | Sechskantschraube M6x18 | 4 | Technische Spezifikation: Version mit vergrößerter Ladefläche und Ladebordwänden aus Eisen[BIG DECK] Version mit vergrößerter Ladefläche und Ladebordwänden aus Legierung[TOP DECK] Version mit kippbarer Ladefläche[TIPPER] |
| 5 | 016406 | Federring 6,4x11,8x1 | 4 | Technische Spezifikation: Version mit vergrößerter Ladefläche und Ladebordwänden aus Eisen[BIG DECK] Version mit vergrößerter Ladefläche und Ladebordwänden aus Legierung[TOP DECK] Version mit kippbarer Ladefläche[TIPPER] |
| 6 | 013777 | Unterlegscheibe 6.4x13x1.5 | 4 | Technische Spezifikation: Version mit vergrößerter Ladefläche und Ladebordwänden aus Eisen[BIG DECK] Version mit vergrößerter Ladefläche und Ladebordwänden aus Legierung[TOP DECK] Version mit kippbarer Ladefläche[TIPPER] |
| 7 | 254485 | Federplättchen M6 | 2 | Technische Spezifikation: Version mit vergrößerter Ladefläche und Ladebordwänden aus Eisen[BIG DECK] Version mit vergrößerter Ladefläche und Ladebordwänden aus Legierung[TOP DECK] Version mit kippbarer Ladefläche[TIPPER] |
| 8 | 566754 | Stosstange hinten | 1 | Technische Spezifikation: Kastenwagen[VAN] |

| | |
|---------------------|---|
| Einheit | Fahrgestell - Plastformteil - Karosserien |
| Code | 02.31 |
| Beschreibung | Hinterabdeckung |
| Inspektion | 1 |



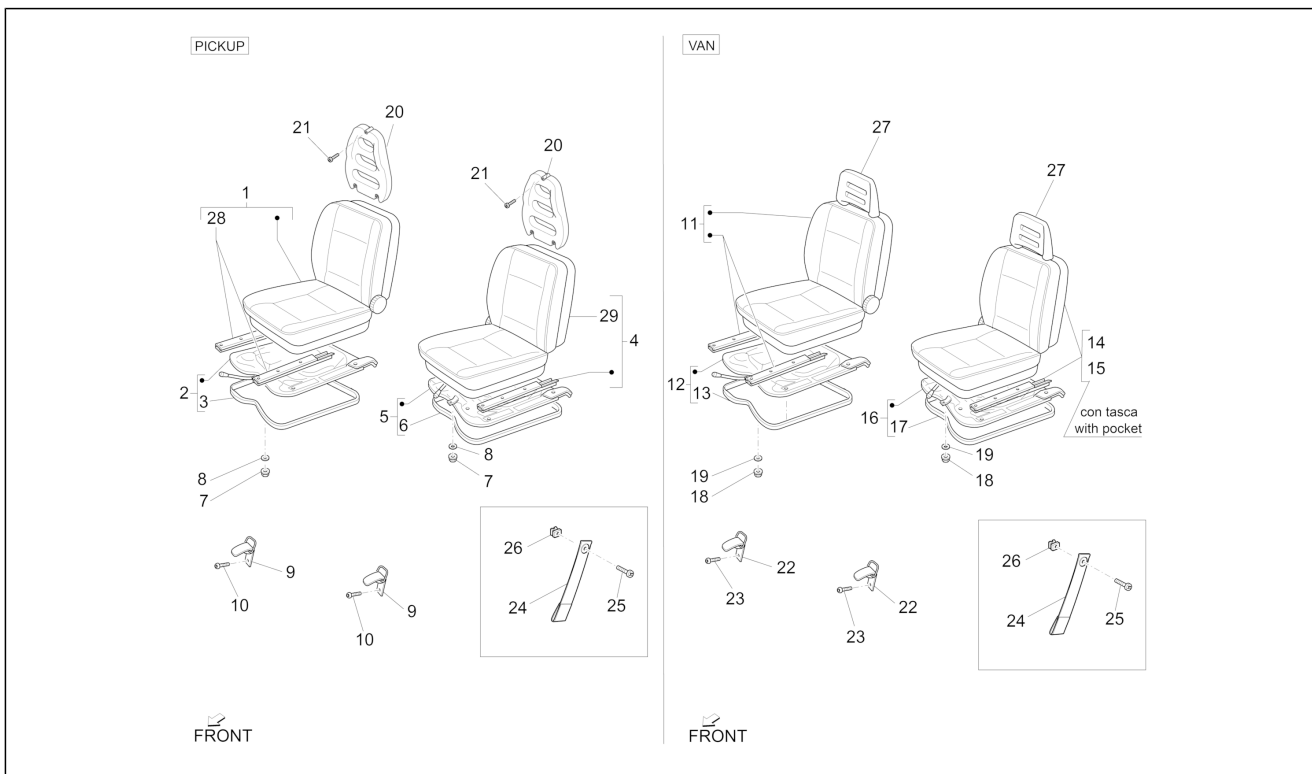
| Pos. | Code | Beschreibung | Menge | Varianten |
|------|---------------|-------------------|-------|---|
| 9 | 264449 | Schraubbolzen | 3 | Technische Spezifikation: Kastenwagen[VAN] |
| 10 | 9004119537000 | Schraubbolzen | 3 | Technische Spezifikation: Kastenwagen[VAN] |
| 11 | 9004183050000 | Mutter | 1 | Technische Spezifikation: Kastenwagen[VAN] |
| 12 | D9004468231 | Klammer | 2 | Technische Spezifikation: Kastenwagen[VAN] |
| 13 | B004915 | Stoßfängerträger | 1 | Technische Spezifikation: Version mit kippbarer Ladefläche[TIPPER] |
| 14 | D9166140616 | Sechskantschraube | 2 | Technische Spezifikation: Version mit kippbarer Ladefläche[TIPPER] |
| 15 | D9165140616 | Sechskantschraube | 4 | Technische Spezifikation: Version mit kippbarer Ladefläche[TIPPER] |
| 16 | 615191 | Stoßfängerträger | 1 | Technische Spezifikation: Version ohne Ladefläche[CHASSIS] |

| | |
|---------------------|---|
| Einheit | Fahrgestell - Plastformteil - Karosserien |
| Code | 02.32 |
| Beschreibung | Plaketten - Verzierungen |
| Inspektion | 1 |



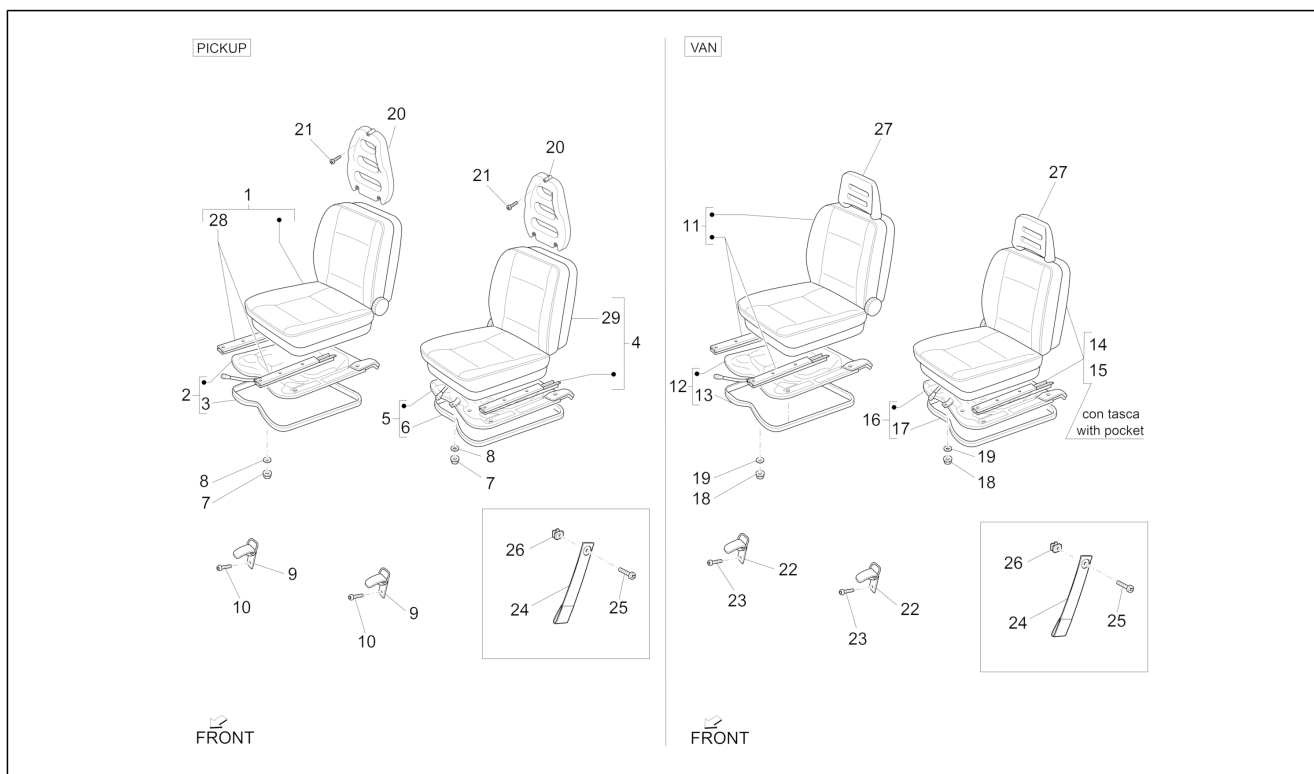
| Pos. | Code | Beschreibung | Menge | Varianten |
|------|---------|---------------------------------|-------|--|
| 1 | 576464 | Piaggio-Emblem | 1 | |
| 2 | B004554 | "Schild ""Porter""" | 1 | |
| 3 | B004567 | "Heckschild ""Porter""" | 1 | |
| 4 | B004681 | "Heckschild ""Piaggio""" | 1 | |
| 5 | B004613 | "Heckschild ""EXTRA""" | 1 | |
| 6 | B004620 | "Internes Schild ""EXTRA""" | 1 | |
| 7 | B023119 | "Schild ""D120""" | 1 | |
| 8 | B023126 | "Schild hinten ""Porter D120""" | 1 | Technische Spezifikation: Version mit Ladefläche und Ladebordwänden aus Eisen[PICKUP STD] |
| 9 | 245785 | "Diesel" Schildchen | 1 | |
| 10 | B023016 | Plakette rauchentwicklung | 1 | |

| | |
|---------------------|---|
| Einheit | Fahrgestell - Plastformteil - Karosserien |
| Code | 02.33 |
| Beschreibung | Vordersitze |
| Inspektion | 1 |



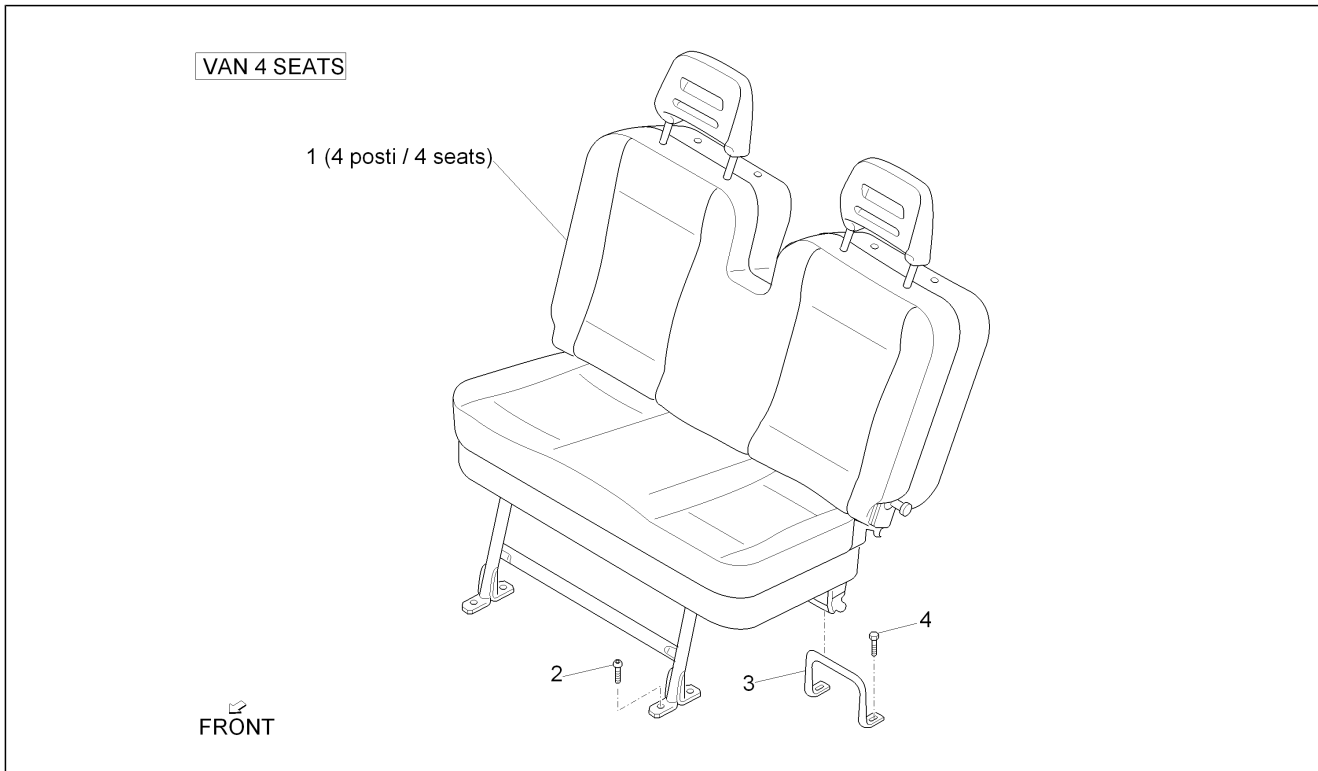
| Pos. | Code | Beschreibung | Menge | Varianten |
|------|---------------|------------------------------|-------|---|
| 1 | B007667 | Rechter sitz komplett | 1 | Technische Spezifikation: Alle Pick-up-Versionen[PICKUP] |
| 2 | CM038401 | Sitzplatte rechts | 1 | Technische Spezifikation: Alle Pick-up-Versionen[PICKUP] |
| 3 | 615932 | Dichtung | 1 | Technische Spezifikation: Alle Pick-up-Versionen[PICKUP] |
| 4 | B007668 | Kompletter Sitz links | 1 | Technische Spezifikation: Alle Pick-up-Versionen[PICKUP] |
| 5 | CM038402 | Sitzplatte links | 1 | Technische Spezifikation: Alle Pick-up-Versionen[PICKUP] |
| 6 | 615932 | Dichtung | 1 | Technische Spezifikation: Alle Pick-up-Versionen[PICKUP] |
| 7 | 810688 | Mutter | 8 | Technische Spezifikation: Alle Pick-up-Versionen[PICKUP] |
| 8 | 016408 | Sprengscheibe 13,75x8,15x4,5 | 8 | Technische Spezifikation: Alle Pick-up-Versionen[PICKUP] |
| 9 | 7137087Z01000 | Kupplung | 2 | Technische Spezifikation: Alle Pick-up-Versionen[PICKUP] |
| 10 | 9165140816000 | Schraube | 4 | Technische Spezifikation: Alle Pick-up-Versionen[PICKUP] |
| 11 | B007669 | Rechter sitz komplett | 1 | Technische Spezifikation: Kastenwagen[VAN] |
| 11 | CM038612 | Rechter sitz komplett | 1 | Technische Spezifikation: Geschlossener Kastenwagen[VAN BLIND] Kastenwagen mit Fenstern[VAN GLASS] |
| 12 | CM038403 | Sitzplatte rechts | 1 | Technische Spezifikation: Kastenwagen[VAN] |
| 13 | 615932 | Dichtung | 1 | Technische Spezifikation: Kastenwagen[VAN] |
| 14 | B007670 | Kompletter Sitz links | 1 | Technische Spezifikation: Kastenwagen[VAN] |
| 14 | CM0386135 | Vorderer Sitz links | 1 | Technische Spezifikation: Geschlossener Kastenwagen[VAN BLIND] |
| 14 | CM0386155 | Vorderer Sitz links | 1 | Technische Spezifikation: Kastenwagen mit Fenstern[VAN GLASS] |
| 15 | B007671 | Kompletter Sitz links | 1 | Technische Spezifikation: Kastenwagen[VAN] |
| 16 | CM038404 | Sitzplatte links | 1 | Technische Spezifikation: Kastenwagen[VAN] |
| 17 | 615932 | Dichtung | 1 | Technische Spezifikation: Kastenwagen[VAN] |
| 18 | 810688 | Mutter | 8 | Technische Spezifikation: Kastenwagen[VAN] |
| 19 | 016408 | Sprengscheibe 13,75x8,15x4,5 | 8 | Technische Spezifikation: Kastenwagen[VAN] |
| 20 | 566864 | Sitzkopfsutze | 2 | Technische Spezifikation: Alle Pick-up-Versionen[PICKUP] |
| 21 | 9327056012000 | Schraube | 6 | Technische Spezifikation: Alle Pick-up-Versionen[PICKUP] |
| 22 | 7137087Z01000 | Kupplung | 2 | Technische Spezifikation: Kastenwagen[VAN] |
| 23 | 9165140816000 | Schraube | 4 | Technische Spezifikation: Kastenwagen[VAN] |

| | |
|---------------------|---|
| Einheit | Fahrgestell - Plastikformteil - Karosserien |
| Code | 02.33 |
| Beschreibung | Vordersitze |
| Inspektion | 1 |



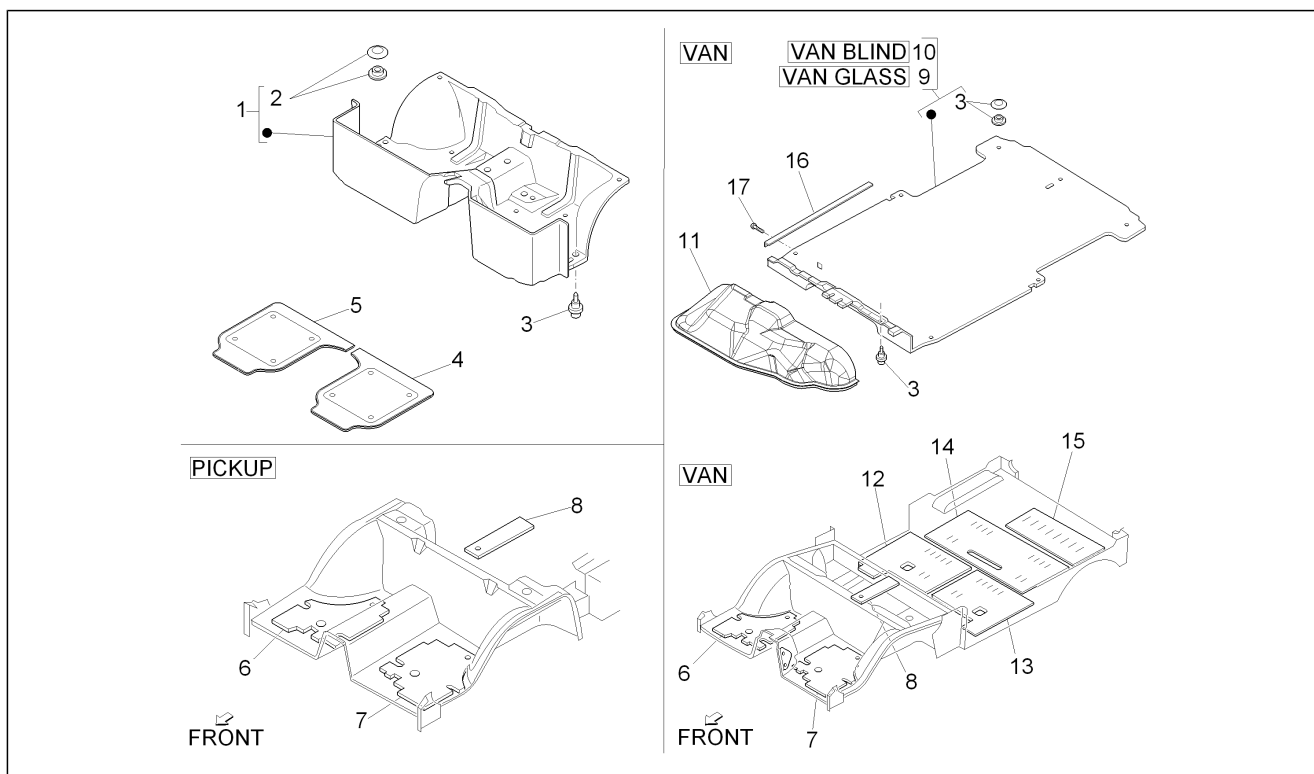
| Pos. | Code | Beschreibung | Menge | Varianten |
|------|---------------|--------------------------|-------|--|
| 24 | 7197387Z01030 | Riemen | 1 | |
| 25 | D9356016014 | Sechskantschraube | 1 | |
| 26 | D9004189019 | Kabelführung | 1 | |
| 27 | 1E001286 | KOPFSTÜTZE | 2 | Technische Spezifikation:Kastenwagen[VAN] |
| 28 | 850676 | Kit Sitzführungen rechts | 1 | |
| 29 | 850677 | Kit Sitzführungen links | 1 | |

| | |
|---------------------|---|
| Einheit | Fahrgestell - Plastikformteil - Karosserien |
| Code | 02.34 |
| Beschreibung | Rücksitze |
| Inspektion | 1 |



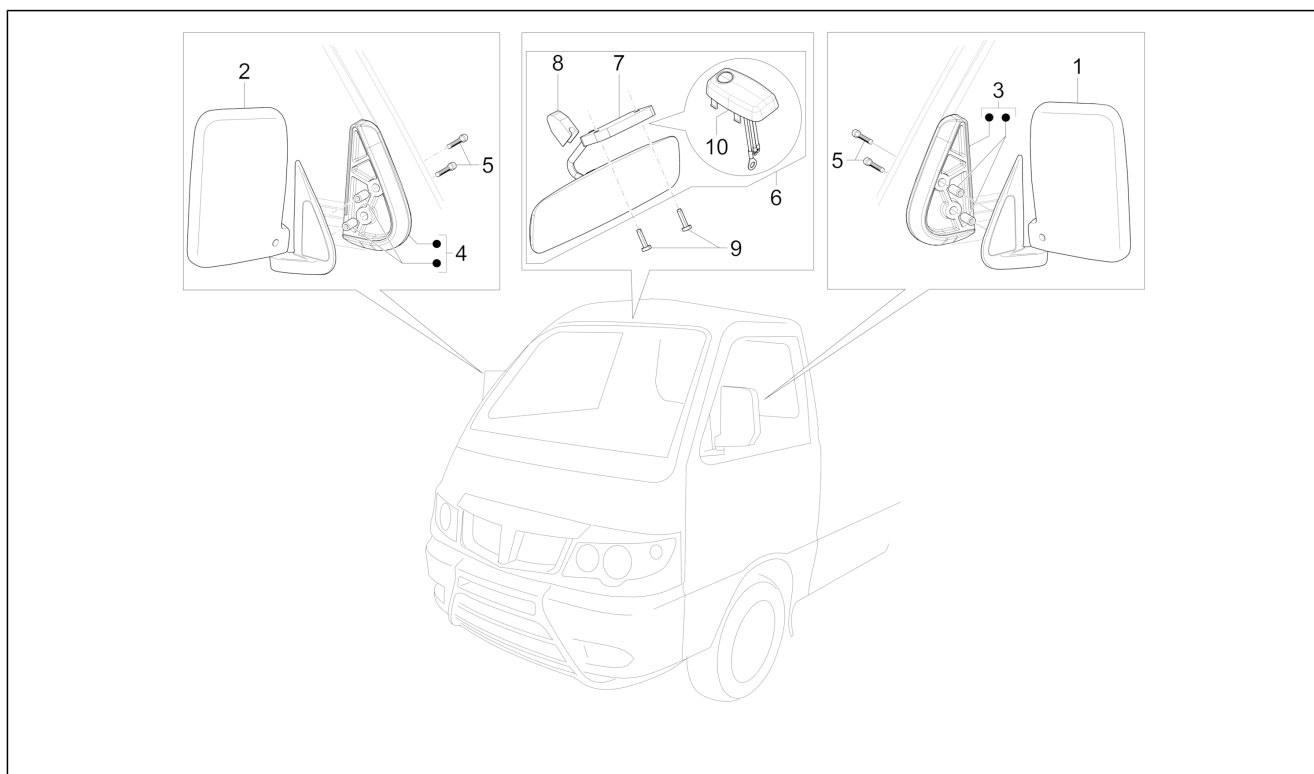
| Pos. | Code | Beschreibung | Menge | Varianten |
|------|-------------|-------------------|-------|--|
| 1 | B007672 | Rückbank 2. Reihe | 1 | Technische Spezifikation: Kastenwagen 4 Plätze[VAN 4 SEATS] |
| 2 | D9165140820 | Sechskantschraube | 4 | Technische Spezifikation: Kastenwagen 4 Plätze[VAN 4 SEATS] |
| 3 | D7269187Z01 | Sitzbefestigung | 2 | Technische Spezifikation: Kastenwagen 4 Plätze[VAN 4 SEATS] |
| 4 | D9165160820 | Sechskantschraube | 4 | Technische Spezifikation: Kastenwagen 4 Plätze[VAN 4 SEATS] |

| | |
|---------------------|---|
| Einheit | Fahrgestell - Plastformteil - Karosserien |
| Code | 02.35 |
| Beschreibung | Innenverkleidungen |
| Inspektion | 1 |



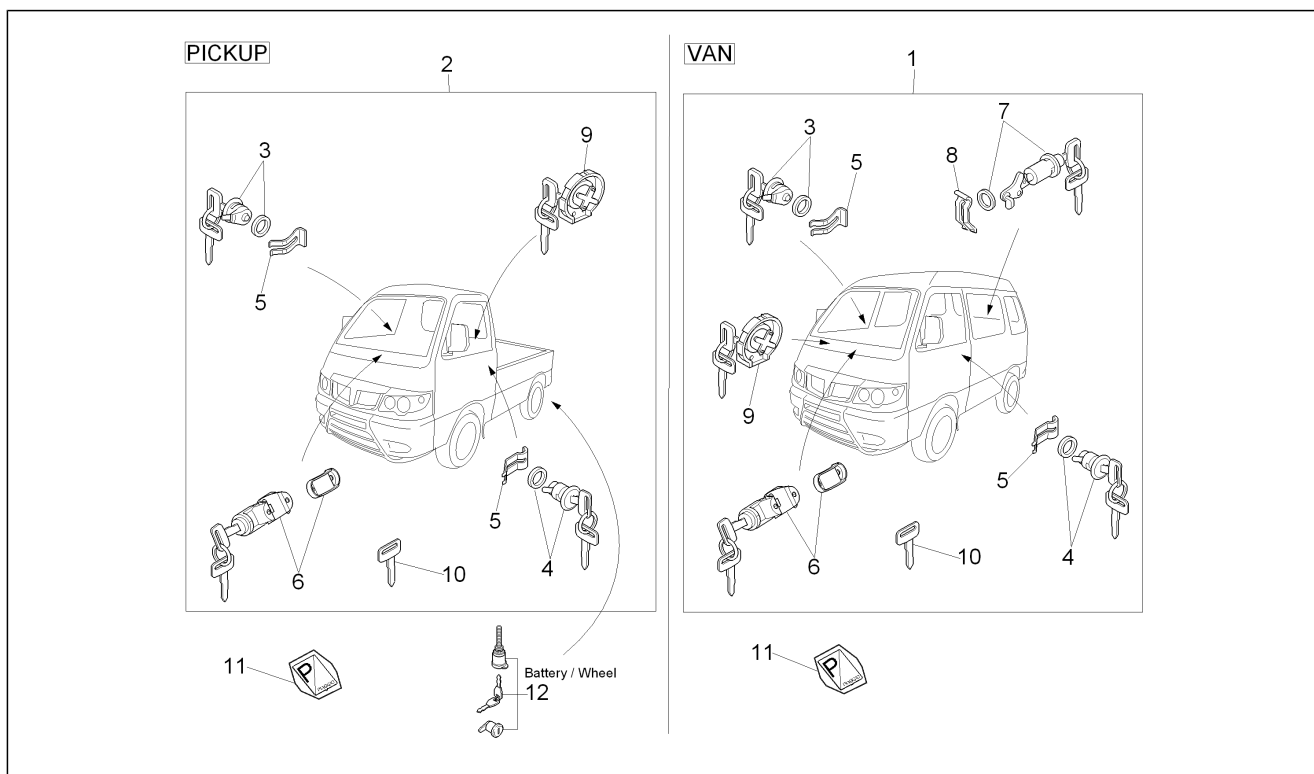
| Pos. | Code | Beschreibung | Menge | Varianten |
|------|---------------|-----------------------------|-------|---|
| 1 | B0078085 | Teppich vorne komplett | 1 | Technische Spezifikation: Version mit Klimaanlage[AC] |
| 1 | B007906 | Teppich vorne komplett | 1 | |
| 2 | 5855887Z01030 | Befestigung | 4 | |
| 3 | D9004468231 | Klammer | 7 | |
| 4 | 263961 | Fußmatte links | 1 | |
| 5 | 263962 | Fußmatte rechts | 1 | |
| 6 | 5862187Z02000 | Schalldämpfend rechts | 1 | |
| 7 | D5862287Z01 | Schalldämpfend links | 1 | |
| 8 | 5866987Z01000 | Schalldämpfer | 1 | |
| 9 | B007239 | Hinterer teppich | 1 | Technische Spezifikation: Kastenwagen mit Fenstern[VAN GLASS] |
| 10 | B007223 | Hinterer teppich | 1 | Technische Spezifikation: Geschlossener Kastenwagen[VAN BLIND] |
| 11 | B007225 | Hinterreifen | 1 | Technische Spezifikation: Kastenwagen[VAN] |
| 12 | 5864687Z02000 | Schalldämpfung kabinenboden | 1 | Technische Spezifikation: Kastenwagen[VAN] |
| 13 | 5864787Z02000 | Schalldämpfung kabinenboden | 1 | Technische Spezifikation: Kastenwagen[VAN] |
| 14 | 5864887Z01000 | Schalldämpfung kabinenboden | 1 | Technische Spezifikation: Kastenwagen[VAN] |
| 15 | 5864987Z01000 | Schalldämpfung kabinenboden | 1 | Technische Spezifikation: Kastenwagen[VAN] |
| 16 | B023082 | Schutzleiste | 3 | Technische Spezifikation: Kastenwagen[VAN] |
| 17 | 261245 | Schraube | 15 | Technische Spezifikation: Kastenwagen[VAN] |

| | |
|---------------------|---|
| Einheit | Fahrgestell - Plastikformteil - Karosserien |
| Code | 02.36 |
| Beschreibung | Rückspiegel/n |
| Inspektion | 1 |



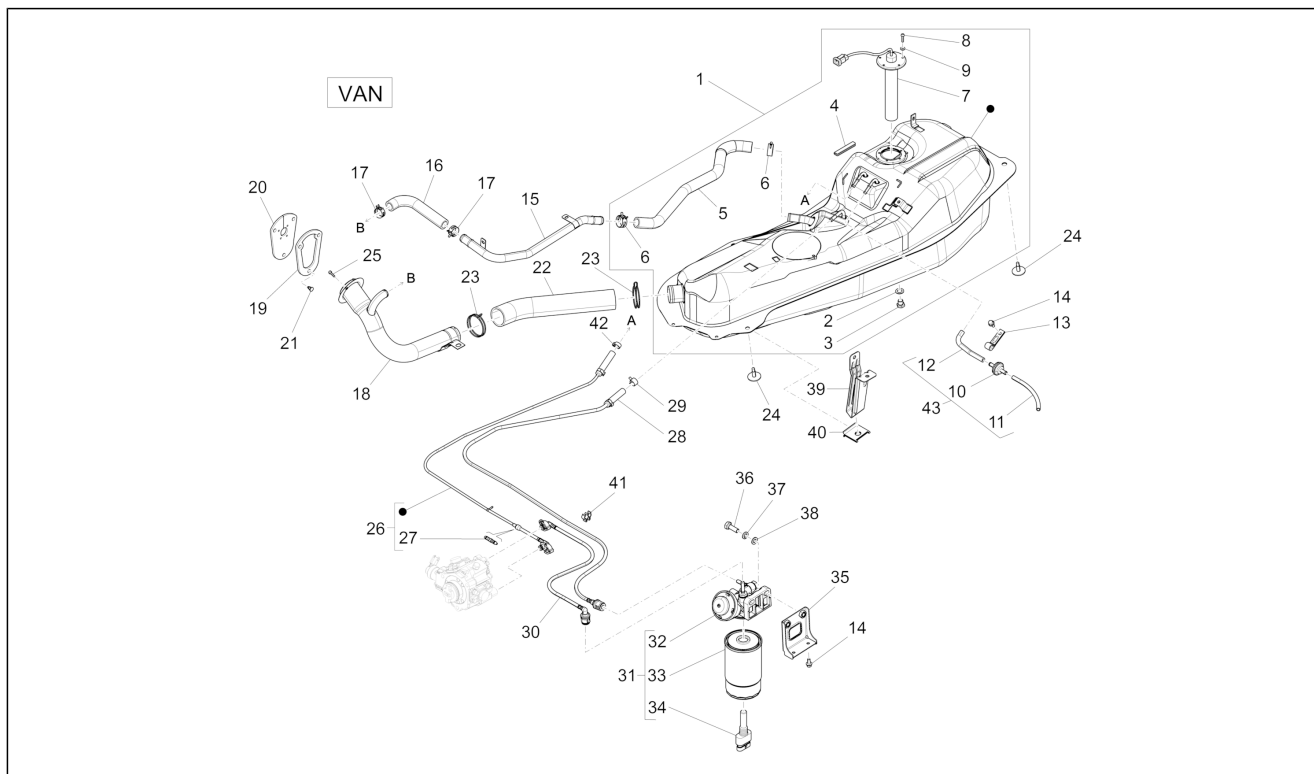
| Pos. | Code | Beschreibung | Menge | Varianten |
|------|---------|-------------------------|-------|-----------|
| 1 | B000961 | Rückspiegel links | 1 | |
| 2 | B000962 | Rückspiegel rechts | 1 | |
| 3 | B000066 | L. Distanzscheibe | 1 | |
| 4 | B000149 | R. Distanzscheibe | 1 | |
| 5 | 842041 | Schraube | 4 | |
| 6 | B007413 | Innenrückspiegel | 1 | |
| 7 | B007705 | Spiegelgehäuse mit Glas | 1 | |
| 8 | B007703 | Gummischeibe | 1 | |
| 9 | 487990 | Gewindeschraube | 2 | |
| 10 | B007908 | Innenbeleuchtung | 1 | |

| | |
|---------------------|---|
| Einheit | Fahrgestell - Plastikformteil - Karosserien |
| Code | 02.37 |
| Beschreibung | Schloßen |
| Inspektion | 1 |



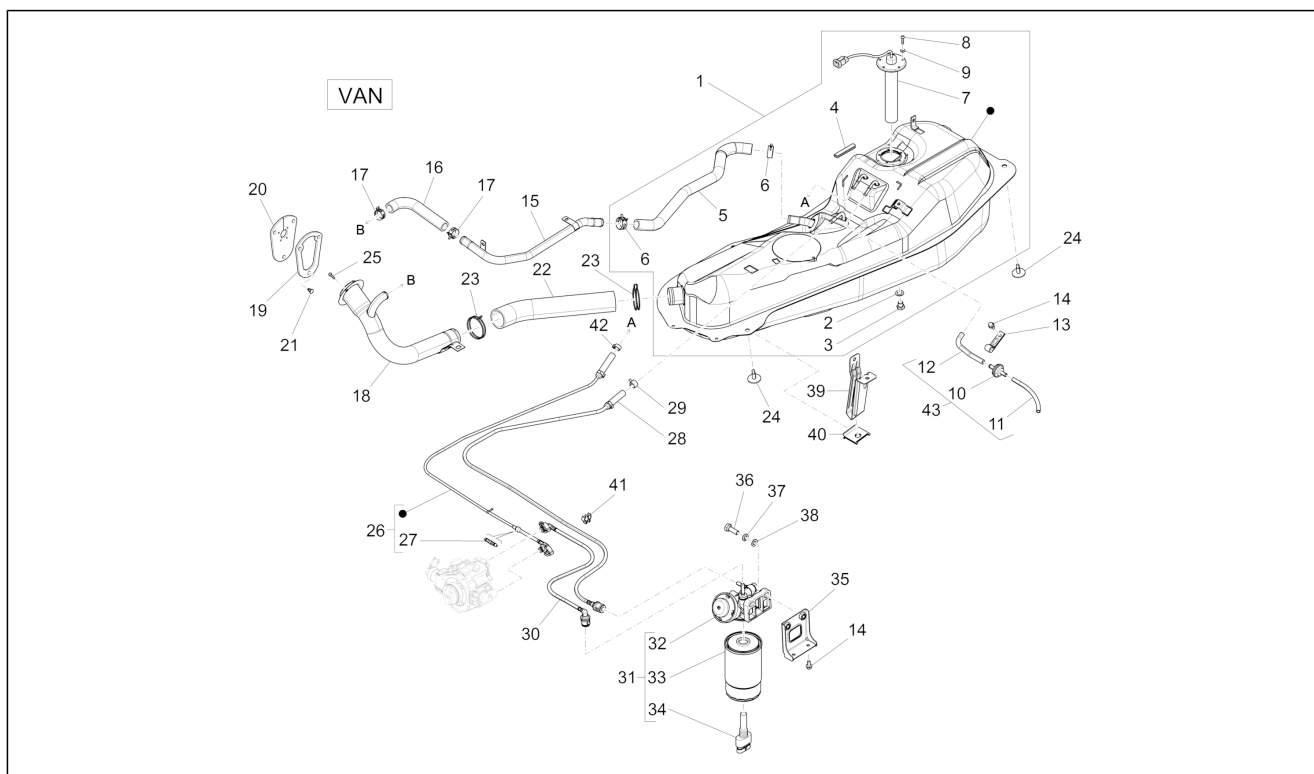
| Pos. | Code | Beschreibung | Menge | Varianten |
|------|---------------|--------------------------------|-------|---|
| 1 | 658994 | Schloßsetzen | 1 | Technische Spezifikation: Kastenwagen[VAN] |
| 2 | 658995 | Schloßsetzen | 1 | Technische Spezifikation: Alle Pick-up-Versionen[PICKUP] |
| 3 | 613842 | Schloss rechte Tür | 1 | |
| 4 | 613843 | Schloss linke Tür | 1 | |
| 5 | 6968187506000 | Schelle | 2 | |
| 6 | B004111 | Lenkerschloss mit Zündschalter | 1 | |
| 7 | 658998 | Schloss | 1 | Technische Spezifikation: Kastenwagen[VAN] |
| 8 | 658949 | Kleine Feder | 1 | Technische Spezifikation: Kastenwagen[VAN] |
| 9 | 658999 | Tankfüllschraube | 1 | |
| 10 | 658997 | Schlüsselrohling | 2 | |
| 10 | B007166 | Schlüsselrohling | 2 | |
| 11 | B004621 | Schildchen | 1 | |
| 12 | 566819 | Bausatz schloßzylinder | 1 | Technische Spezifikation: Alle Pick-up-Versionen[PICKUP] |

| | |
|---------------------|---|
| Einheit | Fahrgestell - Plastformteil - Karosserien |
| Code | 02.38 |
| Beschreibung | Benzintank |
| Inspektion | 1 |



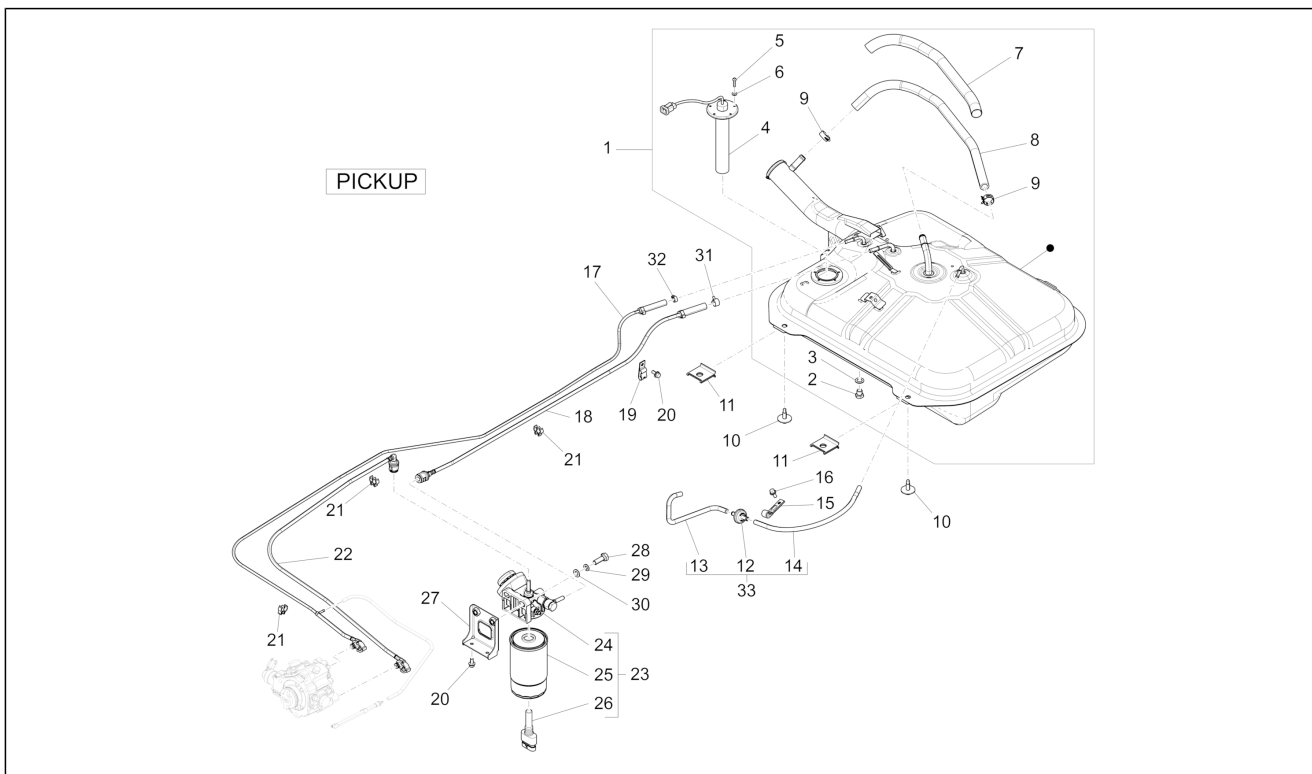
| Pos. | Code | Beschreibung | Menge | Varianten |
|------|---------------|--------------------------------|-------|---|
| 1 | 565742 | Benzintank komplett | 1 | Technische Spezifikation:Kastenwagen[VAN] |
| 1 | B0231335 | Benzintank komplett | 1 | Technische Spezifikation:Kastenwagen[VAN] |
| 2 | 9004430120000 | Dichtung 20X12,5X1,5 | 1 | Technische Spezifikation:Kastenwagen[VAN] |
| 3 | 9004341011000 | Deckel L=20 - M12,5x1,25 | 1 | Technische Spezifikation:Kastenwagen[VAN] |
| 4 | 7765987Z01000 | Schutz | 1 | Technische Spezifikation:Kastenwagen[VAN] |
| 5 | 9004445968000 | Entlüftungsschlauch | 1 | Technische Spezifikation:Kastenwagen[VAN] |
| 6 | 9004467228000 | Schelle | 2 | Technische Spezifikation:Kastenwagen[VAN] |
| 7 | 7750187Z04000 | Benzinanzeiger | 1 | Technische Spezifikation:Kastenwagen[VAN] |
| 7 | B023089 | Kraftstoffstandgeber | 1 | Technische Spezifikation:Kastenwagen[VAN] |
| 8 | 031027 | Schraube | 5 | Technische Spezifikation:Kastenwagen[VAN] |
| 9 | 016404 | Flachscheibe 4,2x7,6x0,9 | 5 | Technische Spezifikation:Kastenwagen[VAN] |
| 10 | 264209 | Ventil | 1 | Technische Spezifikation:Kastenwagen[VAN] |
| 11 | 264210 | Leitung | 1 | Technische Spezifikation:Kastenwagen[VAN] |
| 12 | 264211 | Leitung | 1 | Technische Spezifikation:Kastenwagen[VAN] |
| 13 | 9004462157000 | Schelle | 1 | Technische Spezifikation:Kastenwagen[VAN] |
| 14 | D9165140616 | Sechskantschraube | 3 | Technische Spezifikation:Kastenwagen[VAN] |
| 15 | B005022 | Entlüftungsschlauch | 1 | Technische Spezifikation:Kastenwagen[VAN] |
| 16 | 567018 | Benzinleitung | 1 | Technische Spezifikation:Kastenwagen[VAN] |
| 17 | 9004467228000 | Schelle | 2 | Technische Spezifikation:Kastenwagen[VAN] |
| 18 | 263742 | Benzinleitung | 1 | Technische Spezifikation:Kastenwagen[VAN] |
| 19 | 7729487Z01000 | Platte | 1 | Technische Spezifikation:Kastenwagen[VAN] |
| 20 | D7729187Z03 | Schutz | 1 | Technische Spezifikation:Kastenwagen[VAN] |
| 21 | D9004468231 | Klammer | 3 | Technische Spezifikation:Kastenwagen[VAN] |
| 22 | B004995 | Benzinleitung | 1 | Technische Spezifikation:Kastenwagen[VAN] |
| 23 | 9004460117000 | Schelle | 2 | Technische Spezifikation:Kastenwagen[VAN] |
| 24 | B005028 | Flanschschraube | 4 | Technische Spezifikation:Kastenwagen[VAN] |
| 25 | 9351055010000 | Schraube | 2 | Technische Spezifikation:Kastenwagen[VAN] |
| 26 | B000736 | Kraftstoffleitung (Tank-Pumpe) | 1 | Technische Spezifikation:Kastenwagen[VAN] |

| | |
|---------------------|---|
| Einheit | Fahrgestell - Plastformteil - Karosserien |
| Code | 02.38 |
| Beschreibung | Benzintank |
| Inspektion | 1 |



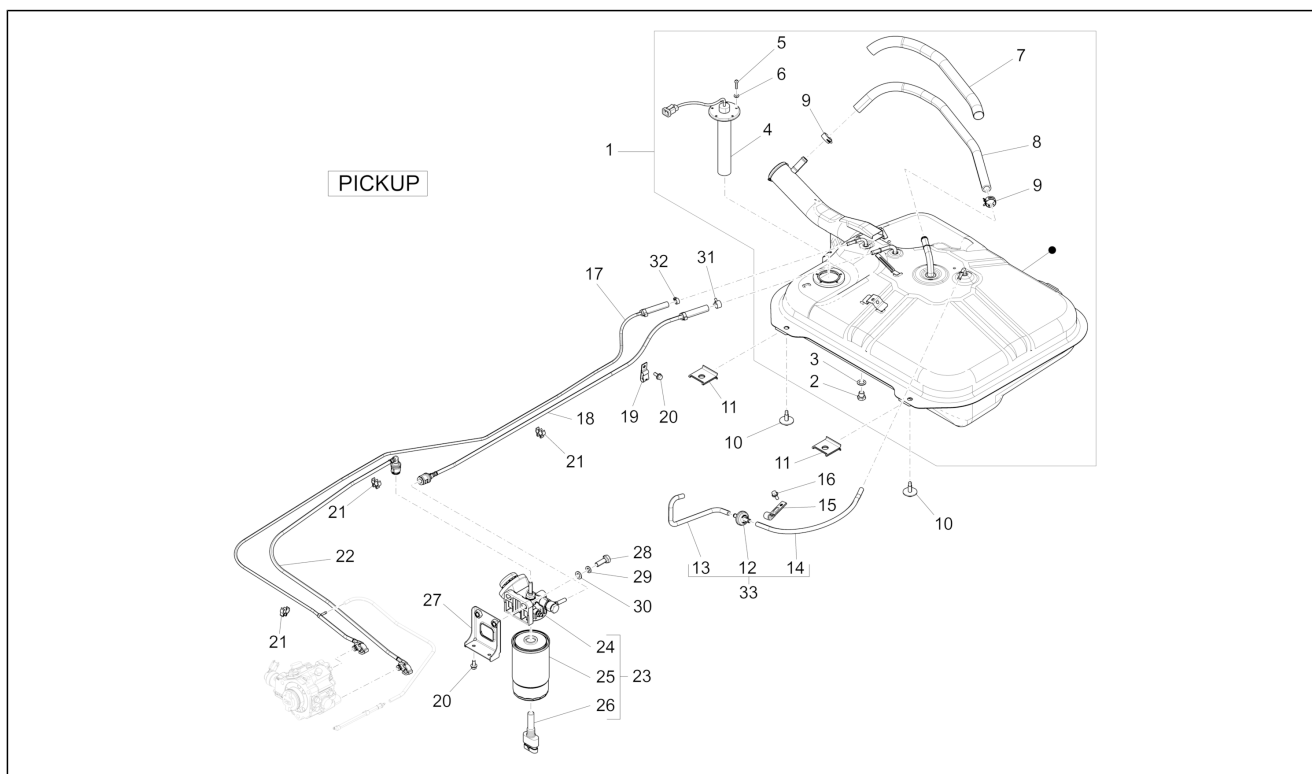
| Pos. | Code | Beschreibung | Menge | Varianten |
|------|---------------|--|-------|---|
| 27 | B005402 | Übersetzung | 1 | Technische Spezifikation: Kastenwagen[VAN] |
| 28 | B000734 | Kraftstoffleitung (Tank-Filter) | 1 | Technische Spezifikation: Kastenwagen[VAN] |
| 29 | D9004467190 | Bundring | 1 | Technische Spezifikation: Alle Pick-up-Versionen[PICKUP] |
| 30 | B000735 | Kraftstoffleitung (Filter-Pumpe) | 1 | Technische Spezifikation: Kastenwagen[VAN] |
| 31 | B005394 | Kraftstofffilter komplett | 1 | Technische Spezifikation: Kastenwagen[VAN] |
| 32 | B004760 | Filterhalter | 1 | |
| 33 | B004761 | Cartridge | 1 | |
| 34 | B004762 | Temperatur- und Wassersensor | 1 | |
| 35 | B005388 | Winkel | 1 | Technische Spezifikation: Kastenwagen[VAN] |
| 36 | 031157 | Sechskantschraube M10x30 | 2 | Technische Spezifikation: Kastenwagen[VAN] |
| 37 | 016410 | Unterlegscheibe 17,6x11x2,5 | 2 | Technische Spezifikation: Kastenwagen[VAN] |
| 38 | 016626 | U.scheibe 10,4x18x2 | 2 | Technische Spezifikation: Kastenwagen[VAN] |
| 39 | B007364 | Halterbügel Tank | 1 | Technische Spezifikation: Kastenwagen[VAN] |
| 40 | 7714187Z04000 | Stütze | 1 | Technische Spezifikation: Kastenwagen[VAN] |
| 41 | B005867 | Kleine Feder | 2 | Technische Spezifikation: Kastenwagen[VAN] |
| 42 | 264545 | Schelle | 1 | |
| 43 | B023512 | Entlüftungsventil Kraftstoffdampf komplett | 1 | Technische Spezifikation: Kastenwagen[VAN] |

| | |
|---------------------|---|
| Einheit | Fahrgestell - Plastikformteil - Karosserien |
| Code | 02.39 |
| Beschreibung | Benzintank II |
| Inspektion | 1 |



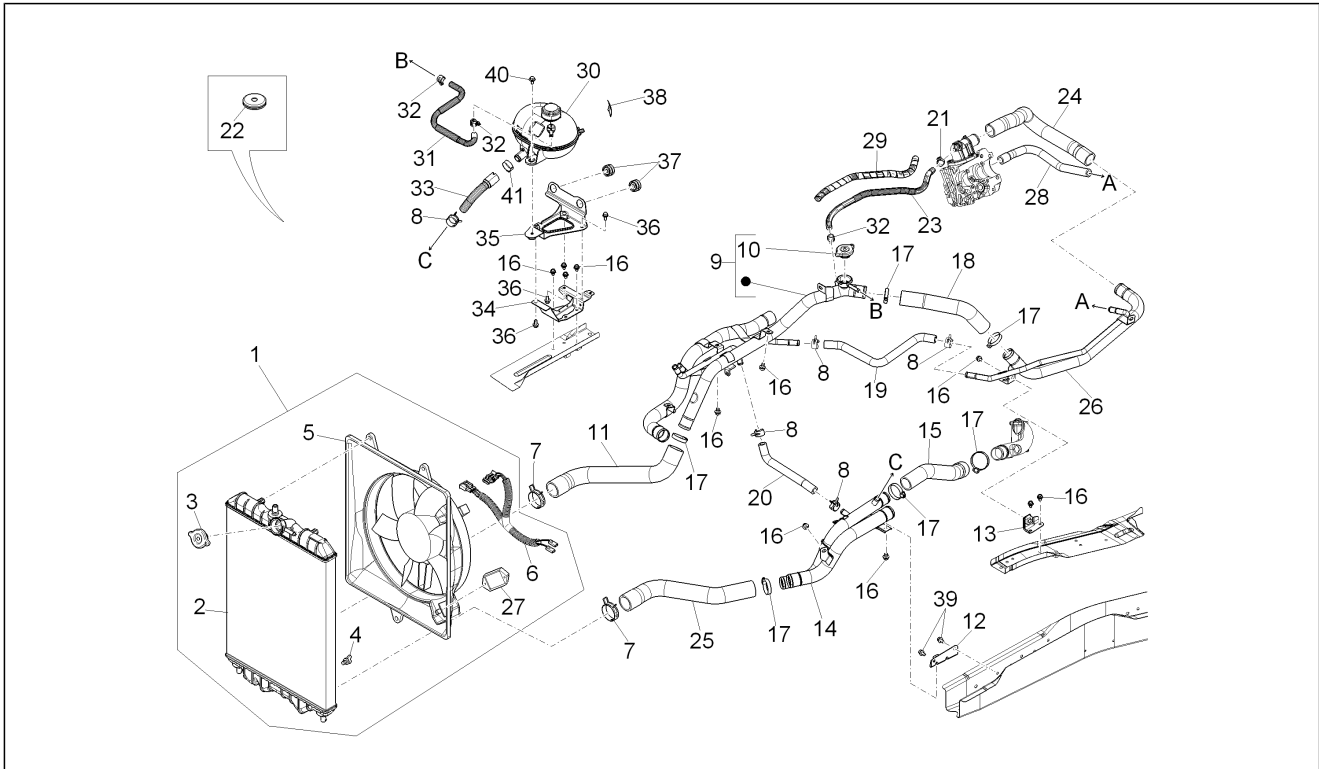
| Pos. | Code | Beschreibung | Menge | Varianten |
|------|---------------|----------------------------------|-------|---|
| 1 | 565743 | Kraftstofftank | 1 | Technische Spezifikation: Alle Pick-up-Versionen[PICKUP] |
| 1 | B023123 | Kraftstofftank | 1 | Technische Spezifikation: Alle Pick-up-Versionen[PICKUP] |
| 2 | 9004341011000 | Deckel L=20 - M12,5x1,25 | 1 | Technische Spezifikation: Alle Pick-up-Versionen[PICKUP] |
| 3 | 9004430120000 | Dichtung 20X12,5X1,5 | 1 | Technische Spezifikation: Alle Pick-up-Versionen[PICKUP] |
| 4 | 7750187Z03000 | Kraftstoffstandgeber | 1 | Technische Spezifikation: Alle Pick-up-Versionen[PICKUP] |
| 4 | B023088 | Kraftstoffstandgeber | 1 | |
| 5 | 031027 | Schraube | 5 | Technische Spezifikation: Alle Pick-up-Versionen[PICKUP] |
| 6 | 016404 | Flachscheibe 4,2x7,6x0,9 | 5 | Technische Spezifikation: Alle Pick-up-Versionen[PICKUP] |
| 7 | 9004446371000 | Schutzrohr | 1 | Technische Spezifikation: Alle Pick-up-Versionen[PICKUP] |
| 8 | 9004445672000 | Entlüftungsschlauch | 1 | Technische Spezifikation: Alle Pick-up-Versionen[PICKUP] |
| 9 | 9004467305000 | Schelle | 2 | Technische Spezifikation: Alle Pick-up-Versionen[PICKUP] |
| 10 | B005028 | Flanschschraube | 4 | Technische Spezifikation: Alle Pick-up-Versionen[PICKUP] |
| 11 | 7714187Z01000 | Stütze | 4 | Technische Spezifikation: Alle Pick-up-Versionen[PICKUP] |
| 12 | 264209 | Ventil | 1 | Technische Spezifikation: Alle Pick-up-Versionen[PICKUP] |
| 13 | 263958 | Leitung | 1 | Technische Spezifikation: Alle Pick-up-Versionen[PICKUP] |
| 14 | 264249 | Leitung | 1 | Technische Spezifikation: Alle Pick-up-Versionen[PICKUP] |
| 15 | 9004462157000 | Schelle | 1 | Technische Spezifikation: Alle Pick-up-Versionen[PICKUP] |
| 16 | D9165140616 | Sechskantschraube | 7 | Technische Spezifikation: Alle Pick-up-Versionen[PICKUP] |
| 17 | B000733 | Kraftstoffleitung (Tank-Pumpe) | 1 | Technische Spezifikation: Alle Pick-up-Versionen[PICKUP] |
| 18 | B005395 | Kraftstoffleitung (Tank-Filter) | 1 | Technische Spezifikation: Alle Pick-up-Versionen[PICKUP] |
| 19 | 9004461420000 | Schelle | 1 | Technische Spezifikation: Alle Pick-up-Versionen[PICKUP] |
| 20 | D9165140616 | Sechskantschraube | 1 | Technische Spezifikation: Alle Pick-up-Versionen[PICKUP] |
| 21 | B005867 | Kleine Feder | 4 | Technische Spezifikation: Alle Pick-up-Versionen[PICKUP] |
| 22 | B005398 | Kraftstoffleitung (Filter-Pumpe) | 1 | Technische Spezifikation: Alle Pick-up-Versionen[PICKUP] |
| 23 | B005394 | Kraftstofffilter komplett | 1 | Technische Spezifikation: Alle Pick-up-Versionen[PICKUP] |
| 24 | B004760 | Filterhalter | 1 | Technische Spezifikation: Alle Pick-up-Versionen[PICKUP] |
| 25 | B004761 | Cartridge | 1 | Technische Spezifikation: Alle Pick-up-Versionen[PICKUP] |
| 26 | B004762 | Temperatur- und Wassersensor | 1 | Technische Spezifikation: Alle Pick-up-Versionen[PICKUP] |

| | |
|---------------------|---|
| Einheit | Fahrgestell - Plastikformteil - Karosserien |
| Code | 02.39 |
| Beschreibung | Benzintank II |
| Inspektion | 1 |



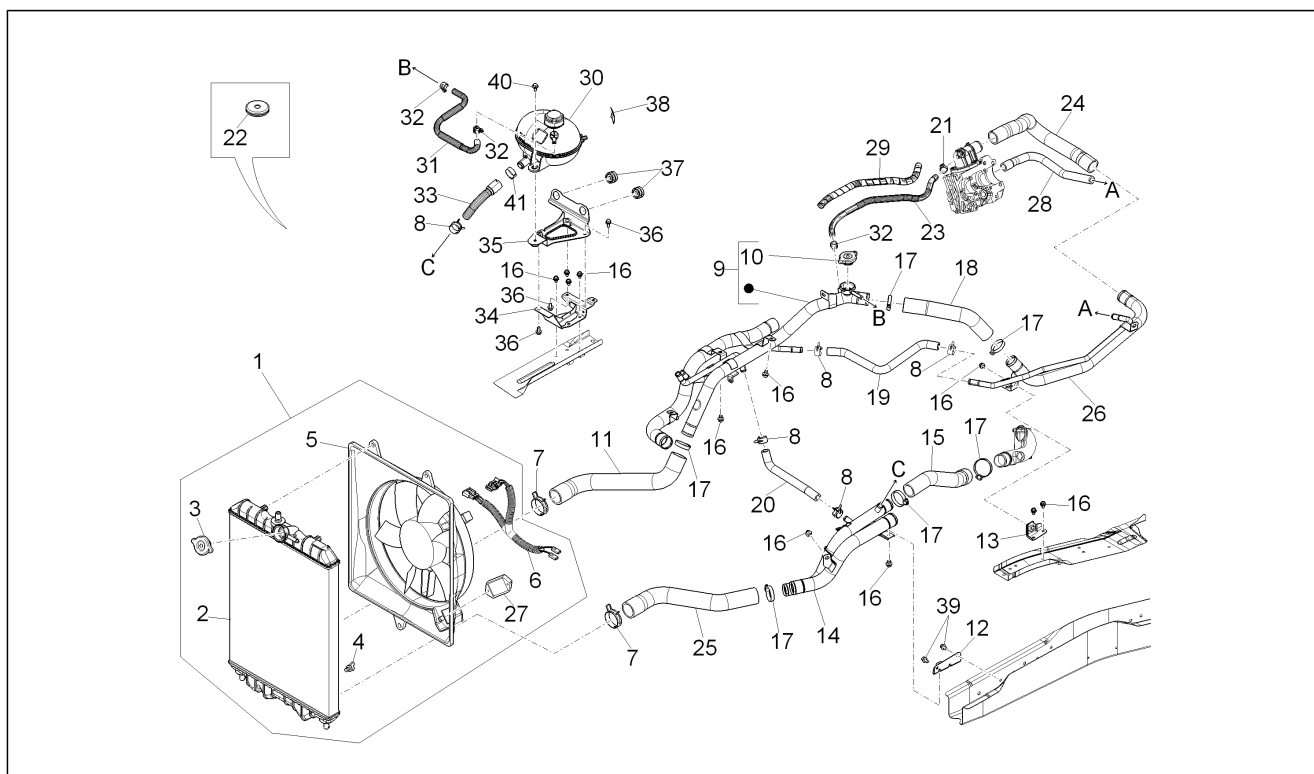
| Pos. | Code | Beschreibung | Menge | Varianten |
|------|-------------|--|-------|---|
| 27 | B005388 | Winkel | 1 | Technische Spezifikation: Alle Pick-up-Versionen[PICKUP] |
| 28 | 031157 | Sechskantschraube M10x30 | 2 | Technische Spezifikation: Alle Pick-up-Versionen[PICKUP] |
| 29 | 016410 | Unterlegscheibe 17,6x11x2,5 | 2 | Technische Spezifikation: Alle Pick-up-Versionen[PICKUP] |
| 30 | 016626 | U.scheibe 10,4x18x2 | 2 | Technische Spezifikation: Alle Pick-up-Versionen[PICKUP] |
| 31 | 264545 | Schelle | 1 | Technische Spezifikation: Alle Pick-up-Versionen[PICKUP] |
| 32 | D9004467190 | Bundring | 1 | Technische Spezifikation: Alle Pick-up-Versionen[PICKUP] |
| 33 | B023511 | Entlüftungsventil Kraftstoffdampf komplett | 1 | Technische Spezifikation: Alle Pick-up-Versionen[PICKUP] |

| | |
|---------------------|---|
| Einheit | Fahrgestell - Plastikformteil - Karosserien |
| Code | 02.43 |
| Beschreibung | Kühlunganlage |
| Inspektion | 2 |



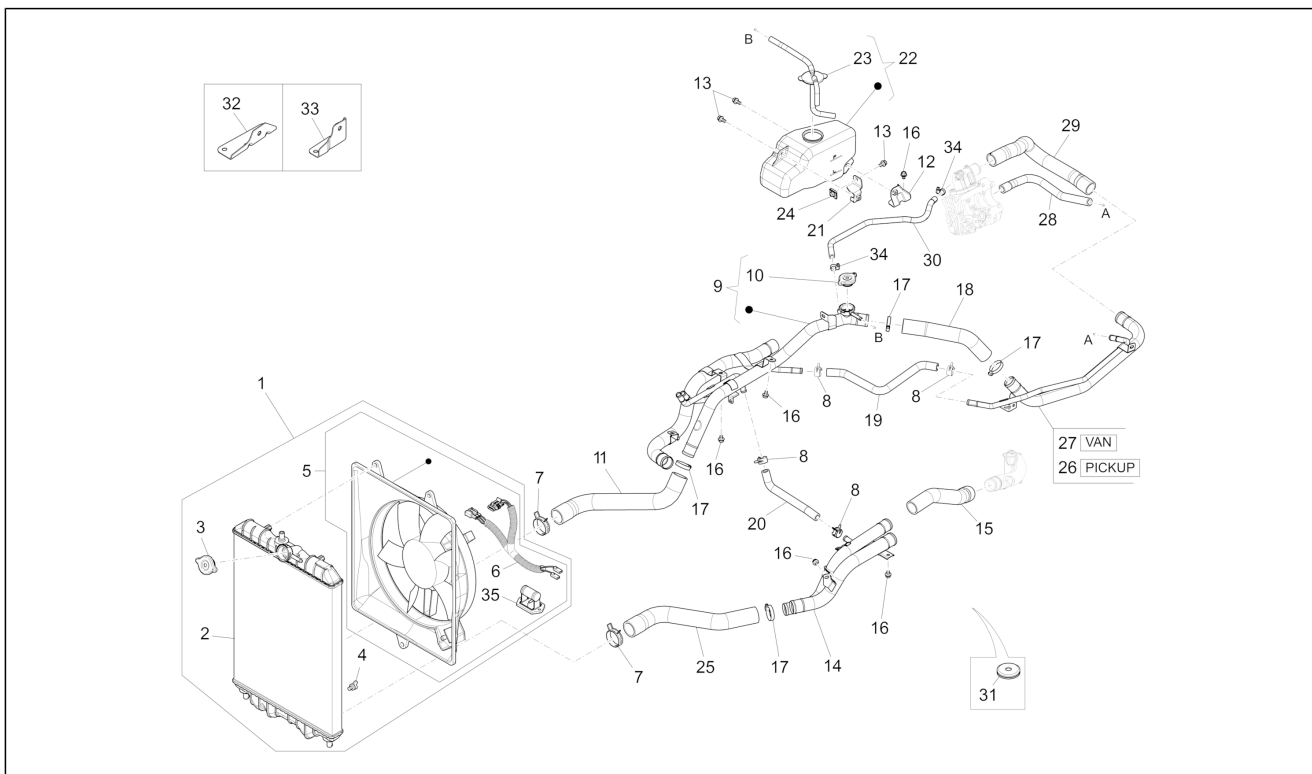
| Pos. | Code | Beschreibung | Menge | Varianten |
|------|---------------|----------------------------|-------|-----------|
| 1 | B023217 | Kühler | 1 | |
| 1 | B026177 | Kühler | 1 | |
| 2 | 1640087Z21000 | Kühler | 1 | |
| 2 | B026114 | Kühler | 1 | |
| 3 | 660619 | Kühlerschraube 140 KPa | 1 | |
| 4 | 1618587Z02000 | Verschluss | 1 | |
| 5 | B023216 | Flügelradmotor | 1 | |
| 5 | 1E000304 | Elektrolüfter | 1 | |
| 6 | B023215 | Kabel Lüfter | 1 | |
| 7 | D9004467449 | Schelle | 2 | |
| 8 | 9004467361000 | Schelle | 6 | |
| 9 | B007644 | Cooler pipe N.2 | 1 | |
| 9 | B023315 | Cooler pipe N.2 | 1 | |
| 10 | 660619 | Kühlerschraube 140 KPa | 1 | |
| 10 | B023320 | Kühlerschraube | 1 | |
| 11 | B004741 | Vorlaufleitung Kühler N.3 | 1 | |
| 12 | B004766 | Haltebügel Leitungen | 1 | |
| 13 | B006135 | Haltebügel Leitungen | 1 | |
| 14 | B004086 | Cooler pipe N.3 | 1 | |
| 14 | B023312 | Cooler pipe N.3 | 1 | |
| 15 | B004084 | Rückleitung Kühler N.2 | 1 | |
| 16 | D9165140612 | Sechskantschraube | 13 | |
| 17 | 709677 | Schelle | 8 | |
| 18 | B005399 | Vorlaufleitung Kühler N.2 | 1 | |
| 19 | B006134 | Vorlaufleitung Heizer N.2 | 1 | |
| 20 | B006132 | Rücklaufleitung Heizer N.2 | 1 | |
| 21 | CM001903 | Schlauchschelle | 1 | |
| 22 | B007376 | Kabelführung | 1 | |

| | |
|---------------------|---|
| Einheit | Fahrgestell - Plastikformteil - Karosserien |
| Code | 02.43 |
| Beschreibung | Kühlungsanlage |
| Inspektion | 2 |



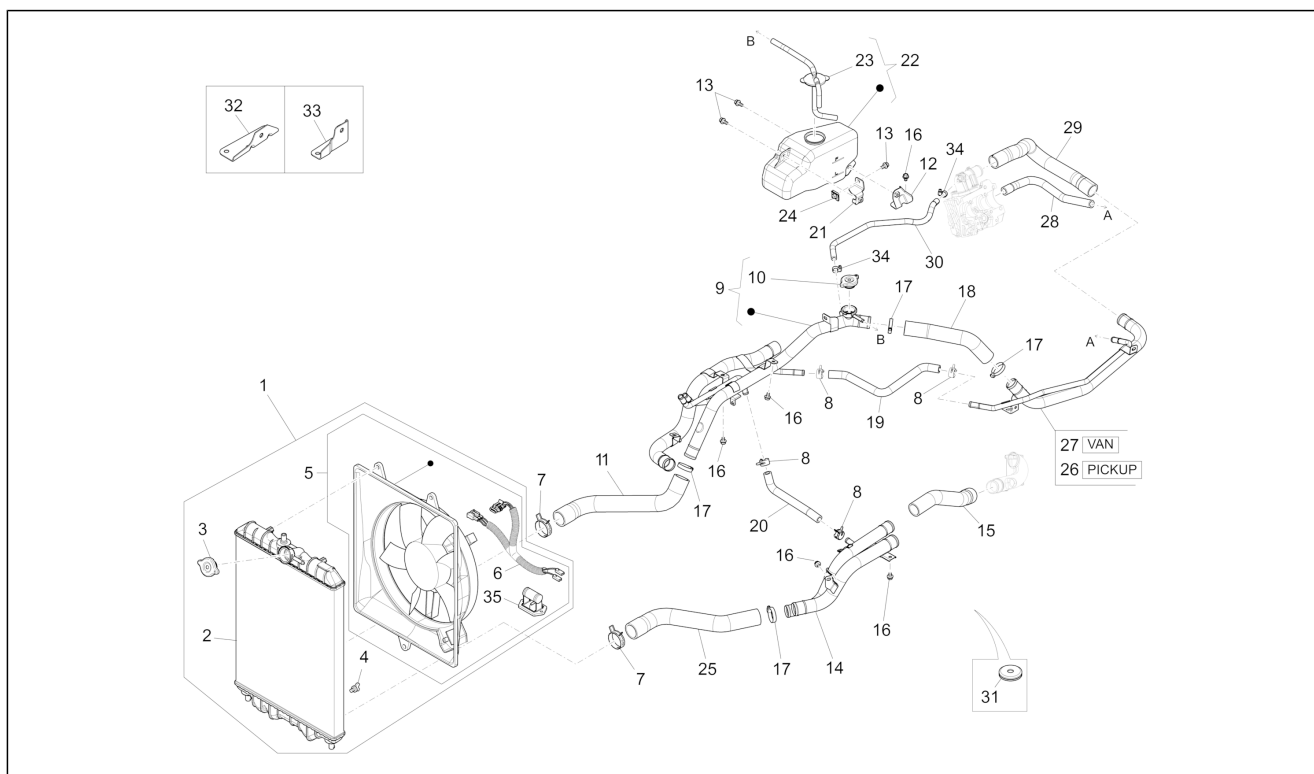
| Pos. | Code | Beschreibung | Menge | Varianten |
|------|-------------|---------------------------------------|-------|---|
| 23 | B006150 | Entgaserrohr | 1 | |
| 24 | B005396 | Vorlaufleitung Kühler N.1 | 1 | |
| 25 | B004742 | Rücklaufschlauch Wasser | 1 | |
| 26 | B005370 | Cooler pipe N.1 | 1 | Technische Spezifikation: Alle Pick-up-Versionen[PICKUP] |
| 26 | B005371 | Cooler pipe N.1 | 1 | Technische Spezifikation: Kastenwagen[VAN] |
| 27 | B023214 | Widerstandsmodul 10-polig, start stop | 0 | |
| 28 | B006133 | Vorlaufleitung Heizer N.1 | 1 | |
| 29 | 612476 | Spirale | 1 | |
| 30 | B023330 | Tank | 1 | |
| 31 | B023349 | Entgaserrohr | 1 | |
| 32 | B005051 | Schlauchschelle | 3 | |
| 33 | B023313 | Rückleitung | 1 | |
| 34 | B023357 | Unterer Bügel | 1 | |
| 35 | B023321 | Halterbügel | 1 | |
| 36 | D9165140616 | Sechskantschraube | 3 | |
| 37 | D9004480596 | Gummi | 2 | |
| 38 | B023311 | Schild MIN - MAX | 1 | |
| 39 | D9165140614 | Sechskantschraube | 2 | |
| 40 | D9166140616 | Sechskantschraube | 1 | |
| 41 | CM001915 | Schlauchschelle | 1 | |

| | |
|---------------------|---|
| Einheit | Fahrgestell - Plastikformteil - Karosserien |
| Code | 02.43 |
| Beschreibung | Kühlungsanlage |
| Inspektion | 1 |



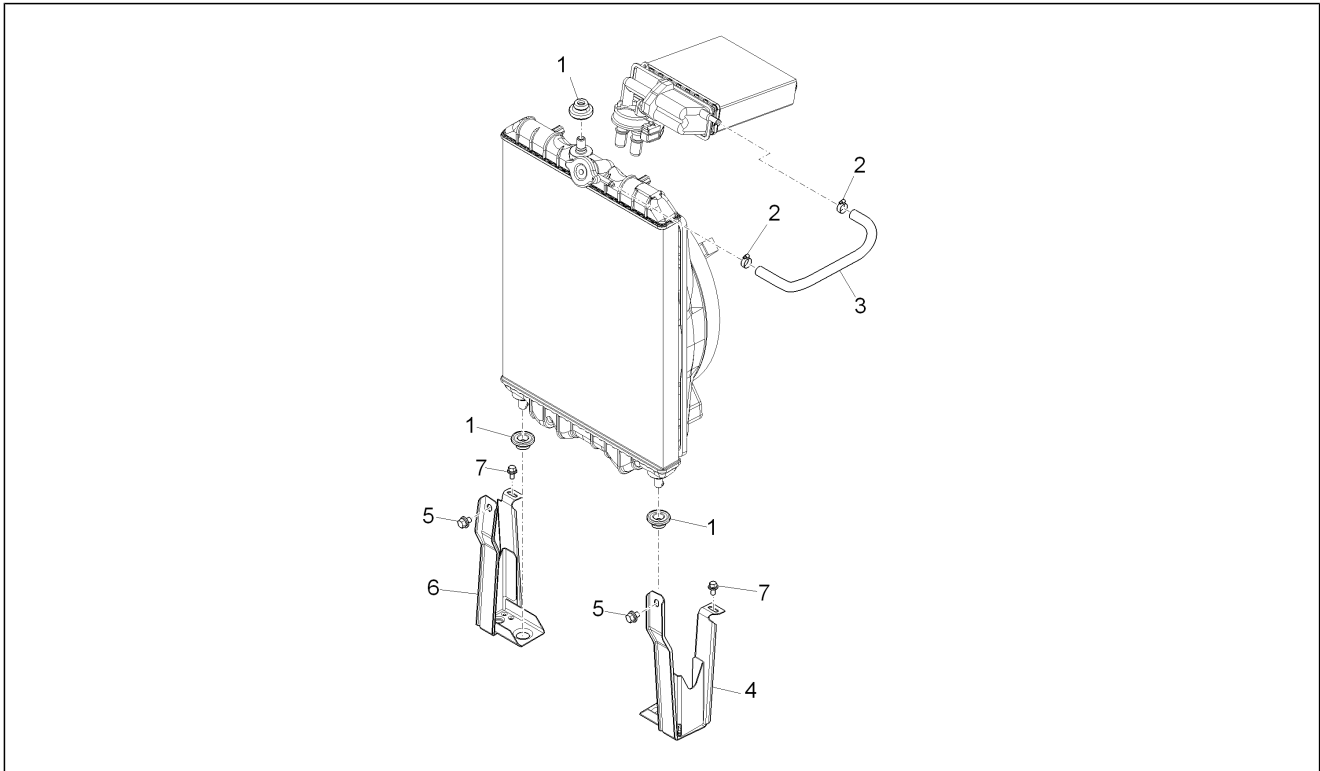
| Pos. | Code | Beschreibung | Menge | Varianten |
|------|---------------|----------------------------|-------|---|
| 1 | 660628 | Kühler | 1 | |
| 2 | 1640087Z21000 | Kühler | 1 | |
| 3 | 660619 | Kühlerschraube 140 KPa | 1 | |
| 4 | 1618587Z02000 | Verschluss | 1 | |
| 5 | 660627 | Flügelradmotor | 1 | |
| 6 | B004705 | Kabel Lüfter | 1 | |
| 7 | D9004467449 | Schelle | 2 | |
| 8 | 9004467361000 | Schelle | 4 | |
| 9 | B007644 | Cooler pipe N.2 | 1 | |
| 10 | 660619 | Kühlerschraube 140 KPa | 1 | |
| 11 | B004741 | Vorlaufleitung Kühler N.3 | 1 | |
| 12 | 1653787Z01000 | Halter | 1 | |
| 13 | D9165140616 | Sechskantschraube | 3 | |
| 14 | B004086 | Cooler pipe N.3 | 1 | |
| 15 | B004084 | Rückleitung Kühler N.2 | 1 | |
| 16 | D9165140612 | Sechskantschraube | 7 | |
| 17 | 709677 | Schelle | 4 | |
| 18 | B005399 | Vorlaufleitung Kühler N.2 | 1 | |
| 19 | B006134 | Vorlaufleitung Heizer N.2 | 1 | |
| 20 | B006132 | Rücklaufleitung Heizer N.2 | 1 | |
| 21 | 1653887Z01000 | Halter | 1 | |
| 22 | 566526 | Tank | 1 | |
| 23 | 1650387Z08000 | Tankverschluß | 1 | |
| 24 | D9004179081 | Mutter | 1 | |
| 25 | B004742 | Rücklaufschlauch Wasser | 1 | |
| 26 | B005370 | Cooler pipe N.1 | 1 | Technische Spezifikation: Alle Pick-up-Versionen[PICKUP] |
| 27 | B005371 | Cooler pipe N.1 | 1 | Technische Spezifikation: Kastenwagen[VAN] |
| 28 | B006133 | Vorlaufleitung Heizer N.1 | 1 | |

| | |
|---------------------|---|
| Einheit | Fahrgestell - Plastikformteil - Karosserien |
| Code | 02.43 |
| Beschreibung | Kühlungsanlage |
| Inspektion | 1 |



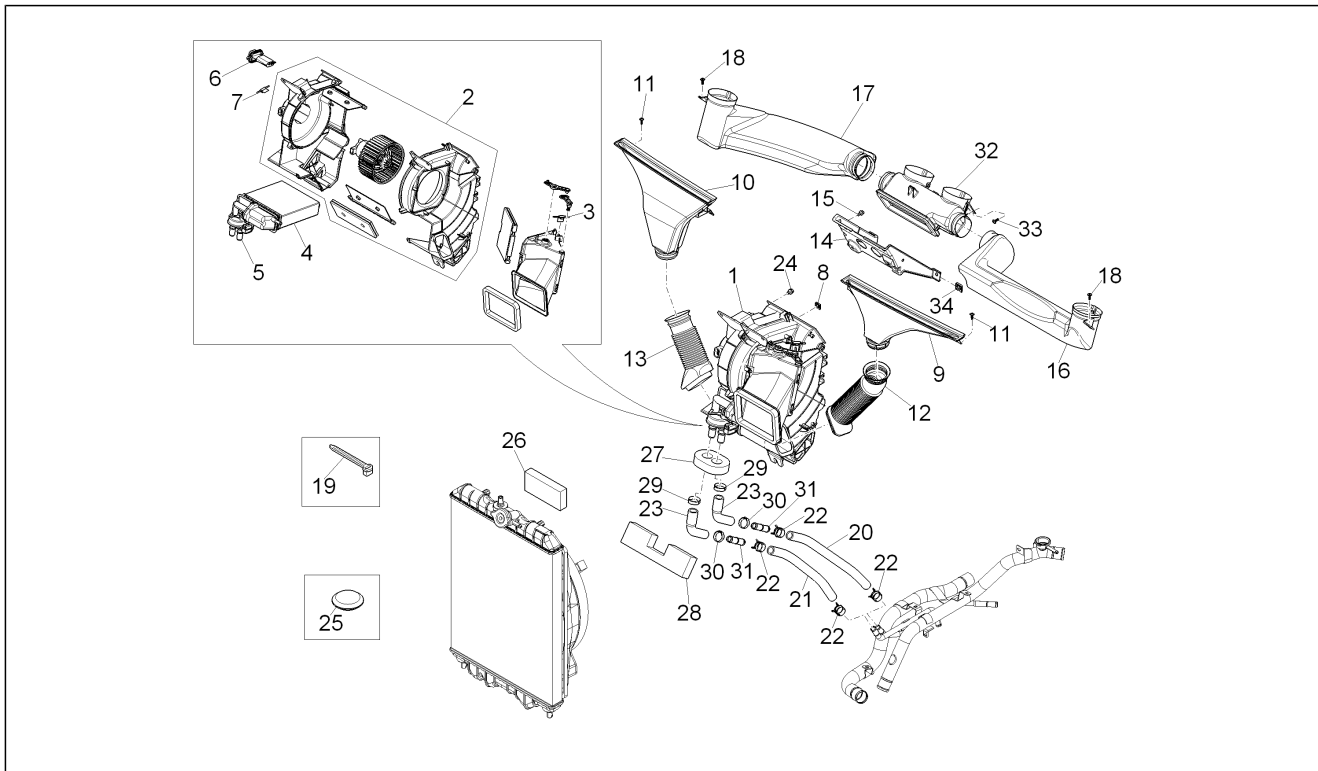
| Pos. | Code | Beschreibung | Menge | Varianten |
|------|---------|---------------------------------------|-------|-----------|
| 29 | B005396 | Vorlaufleitung Kühler N.1 | 1 | |
| 30 | B006150 | Entgaserrohr | 1 | |
| 31 | B007376 | Kabelführung | 1 | |
| 32 | B004766 | Haltebügel Leitungen | 1 | |
| 33 | B006135 | Haltebügel Leitungen | 1 | |
| 34 | 632864 | Schelle | 2 | |
| 35 | 264723 | Widerstandsmodul 10-polig, start stop | 1 | |

| | |
|---------------------|---|
| Einheit | Fahrgestell - Plastikformteil - Karosserien |
| Code | 02.44 |
| Beschreibung | Bauteile Kühlanlage |
| Inspektion | 1 |



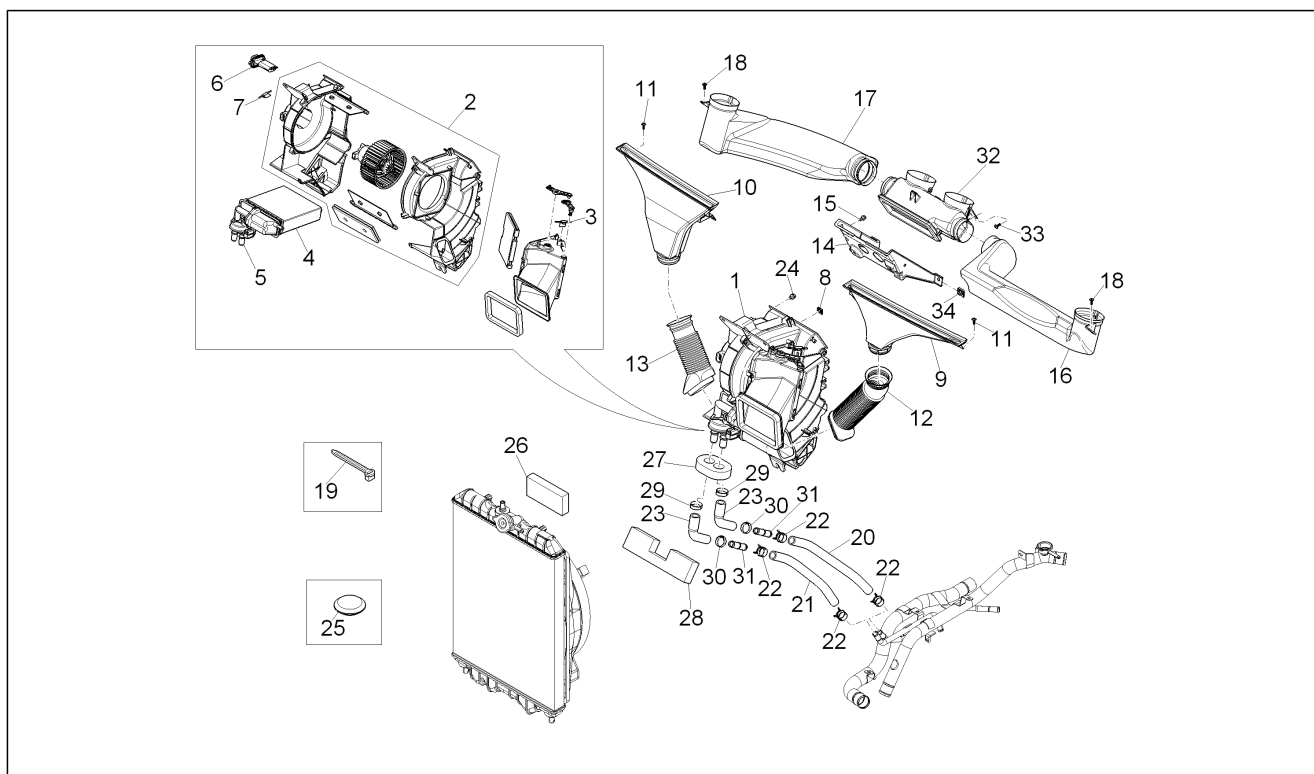
| Pos. | Code | Beschreibung | Menge | Varianten |
|------|---------------|----------------------|-------|-----------|
| 1 | D9004480595 | Puffer | 3 | |
| 2 | B005051 | Schlauchschelle | 2 | |
| 3 | 1633787Z07000 | Leitung | 1 | |
| 4 | 1E000092 | Haltebügel Kühler SX | 1 | |
| 4 | B023064 | Haltebügel Kühler SX | 1 | |
| 5 | 9165140814000 | Schraube | 2 | |
| 6 | 1E000090 | Haltebügel Kühler DX | 1 | |
| 6 | 565685 | Haltebügel Kühler DX | 1 | |
| 7 | D9165140614 | Sechskantschraube | 2 | |

| | |
|---------------------|---|
| Einheit | Fahrgestell - Plastikformteil - Karosserien |
| Code | 02.45 |
| Beschreibung | Heizungsanlage |
| Inspektion | 1 |



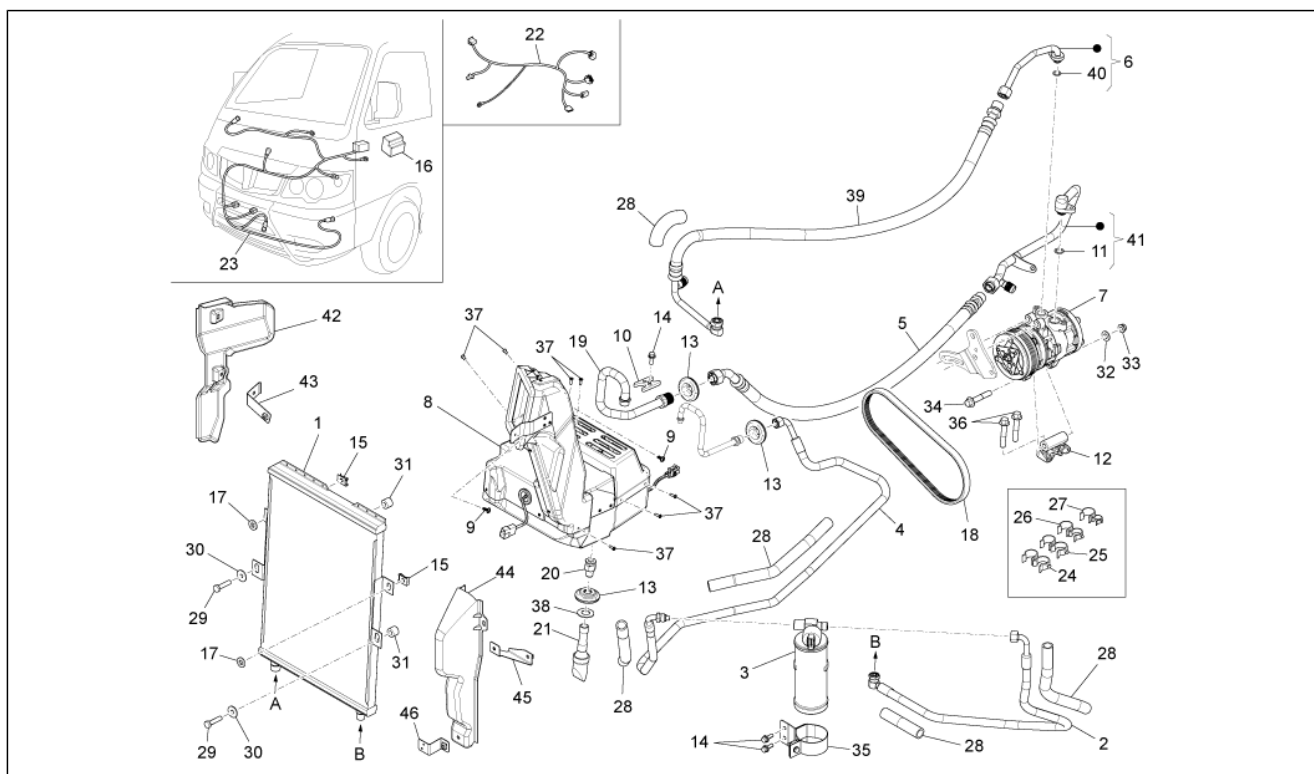
| Pos. | Code | Beschreibung | Menge | Varianten |
|------|---------------|-------------------------------------|-------|-----------|
| 1 | 613828 | Heizapparat | 1 | |
| 1 | 1E000998 | Heizapparat | 1 | |
| 2 | 493929 | Ventilator | 1 | |
| 3 | 493933 | Schelle | 1 | |
| 4 | 493930 | - | 1 | |
| 5 | 493931 | Hahn | 1 | |
| 5 | 1E001000 | Hahn | 1 | |
| 6 | 493913 | Widerstand | 1 | |
| 6 | B023106 | Widerstand | 1 | |
| 7 | 493932 | Schelle | 1 | |
| 8 | D9004179138 | Befestigungsplatte | 4 | |
| 9 | 5509287Z02000 | Luftdüse SX | 1 | |
| 10 | 5509187Z02000 | Luftdüse DX | 1 | |
| 11 | D9356755014 | Sechskantschraube | 4 | |
| 12 | 615100 | Luftleitung links | 1 | |
| 13 | 8723287Z02000 | Luftleitung rechts | 1 | |
| 14 | 612279 | Halterung | 1 | |
| 15 | D9166140616 | Sechskantschraube | 4 | |
| 16 | B000513 | Luftleitung links | 1 | |
| 17 | 614797 | Luftleitung rechts | 1 | |
| 18 | D9356755014 | Sechskantschraube | 2 | |
| 19 | 145298 | Reißschelle L= 180 mm | 1 | |
| 20 | B005263 | Izofuhrleitung | 1 | |
| 20 | 1E001016 | Eingangsleitung Heizvorrichtung | 1 | |
| 21 | 645553 | Wasserschlauch | 1 | |
| 21 | 1E001017 | Ausgangsleitung Heizvorrichtung | 1 | |
| 22 | 9004467361000 | Schelle | 6 | |
| 23 | B007133 | Eintritts-Austrittsleitungen Heizer | 2 | |

| | |
|---------------------|---|
| Einheit | Fahrgestell - Plastikformteil - Karosserien |
| Code | 02.45 |
| Beschreibung | Heizungsanlage |
| Inspektion | 1 |



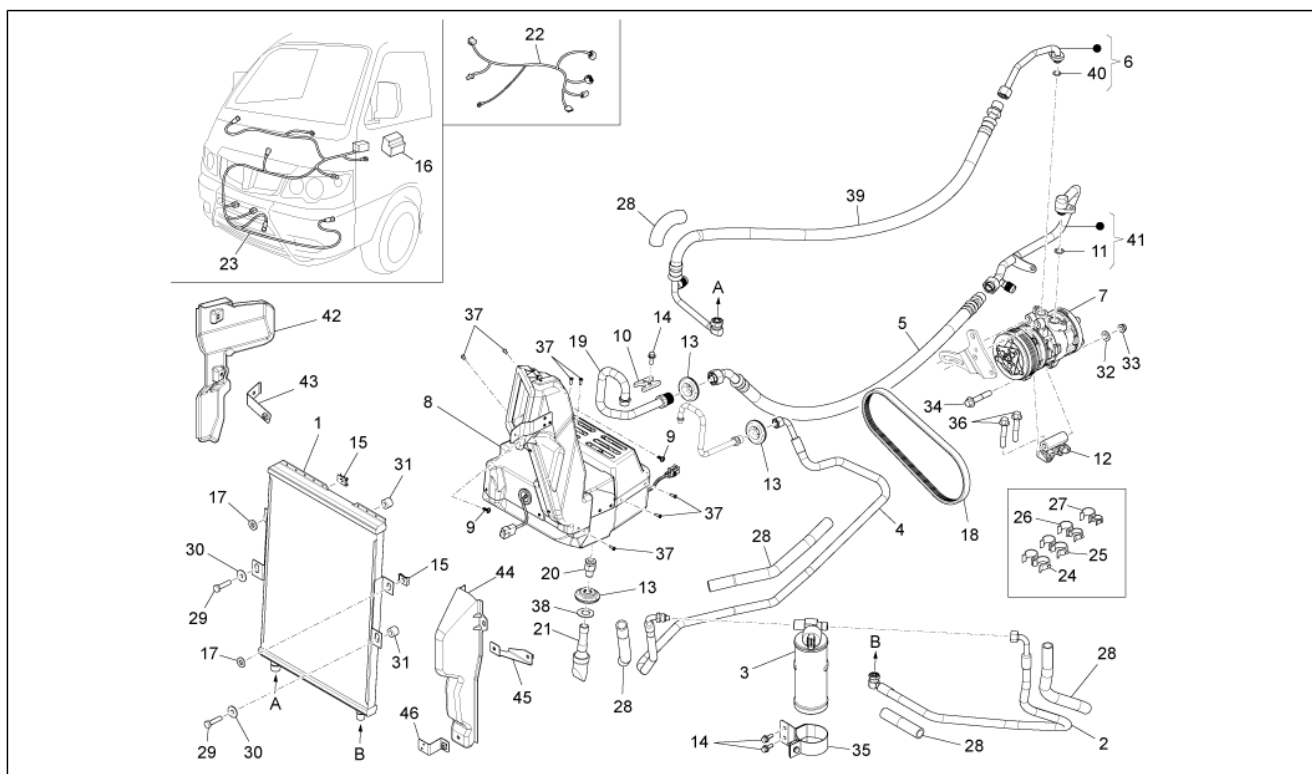
| Pos. | Code | Beschreibung | Menge | Varianten |
|------|---------------|----------------------|-------|-----------|
| 24 | 9004119260000 | Schraubbolzen | 3 | |
| 25 | B007158 | Verschlusschraube | 1 | |
| 26 | 264646 | Obere kühlerdichtung | 2 | |
| 27 | B007132 | Dichtung | 1 | |
| 28 | B007147 | Dichtung | 2 | |
| 29 | CM001907 | Schlauchschelle | 2 | |
| 30 | CM001905 | Schlauchschelle | 2 | |
| 31 | B007134 | Anschluß | 2 | |
| 32 | 614826 | Luftdüse | 1 | |
| 33 | D9356755014 | Sechskantschraube | 3 | |
| 34 | 254485 | Federplättchen M6 | 2 | |
| 35 | 1R000314 | Dichtung Hahn | 1 | |

| | |
|---------------------|---|
| Einheit | Fahrgestell - Plastikformteil - Karosserien |
| Code | 02.47 |
| Beschreibung | Klimaanlage |
| Inspektion | 1 |



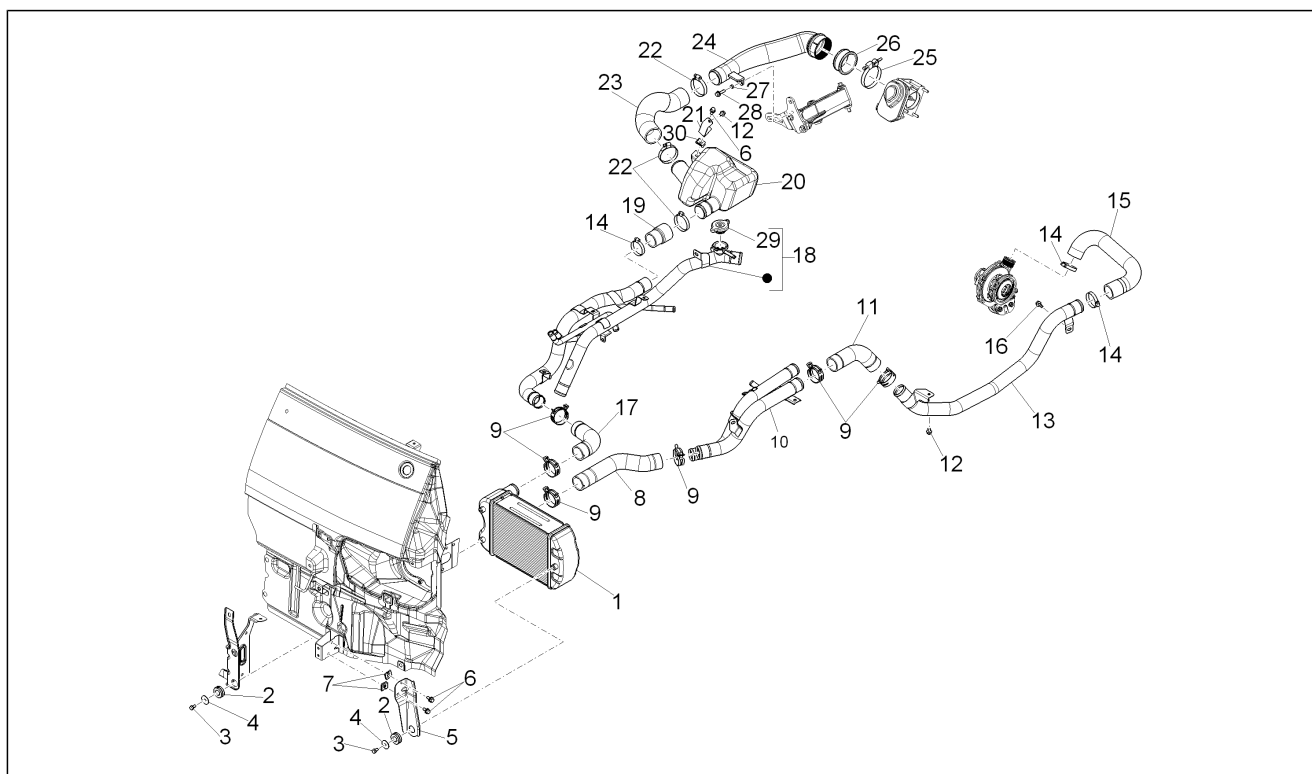
| Pos. | Code | Beschreibung | Menge | Varianten |
|------|---------------|---|-------|--|
| 1 | 612189 | Kühler Klimaanlage | 1 | Technische Spezifikation: Version mit Klimaanlage[AC] |
| 2 | 612197 | Schlauch 5/16 | 1 | |
| 3 | 612190 | ZSB Filter und Pressostat | 1 | |
| 4 | 612198 | Leitung Filter-Verdampfer 5/16 | 1 | |
| 5 | B005447 | Rücklaufleitung Verdampfer - Verdichter N.1 | 1 | |
| 6 | B005382 | Vorlaufleitung Verdichter Verflüssiger N.1 | 1 | |
| 7 | 889159 | Verdichter Klimaanlage | 1 | |
| 8 | B004506 | Verdampfergruppe Klimaanlage | 1 | |
| 9 | D9356715014 | Sechskantschraube | 2 | |
| 10 | 612499 | Befestigungsflansch | 1 | |
| 11 | B005425 | Dichtung | 1 | |
| 12 | B010527 | Haltebügel Verdichter | 1 | |
| 13 | 612500 | Gummi | 1 | |
| 14 | 9165160620000 | Schraubbolzen | 3 | |
| 15 | 254485 | Federplättchen M6 | 2 | |
| 16 | 612498 | Relaisabdeckung | 1 | |
| 17 | 013950 | U.scheibe 6,2x18x2 | 2 | |
| 18 | B010778 | Riemen POLY-V | 1 | |
| 19 | B005643 | Vorbildet Schlauch | 1 | |
| 20 | 612501 | Verflüssigerablass | 1 | |
| 21 | 612502 | ZSB Verflüssigerablass | 1 | |
| 22 | B005641 | Elektrische Anlage | 1 | |
| 23 | B007392 | Elektrische Anlage Kühlgebläse | 1 | |
| 24 | 612503 | Rückhaltefeder Leitungen/Kabel d.22 | 1 | |
| 25 | 612504 | Rückhaltefeder Leitungen/Kabel D.22-24 | 1 | |
| 26 | 612505 | Rückhaltefeder Leitungen/Kabel D.18-22 | 1 | |
| 27 | 612506 | Rückhaltefeder Leitungen/Kabel D.9,5-18 | 1 | |
| 28 | 612476 | Spirale | 1 | |

| | |
|---------------------|---|
| Einheit | Fahrgestell - Plastikformteil - Karosserien |
| Code | 02.47 |
| Beschreibung | Klimaanlage |
| Inspektion | 1 |



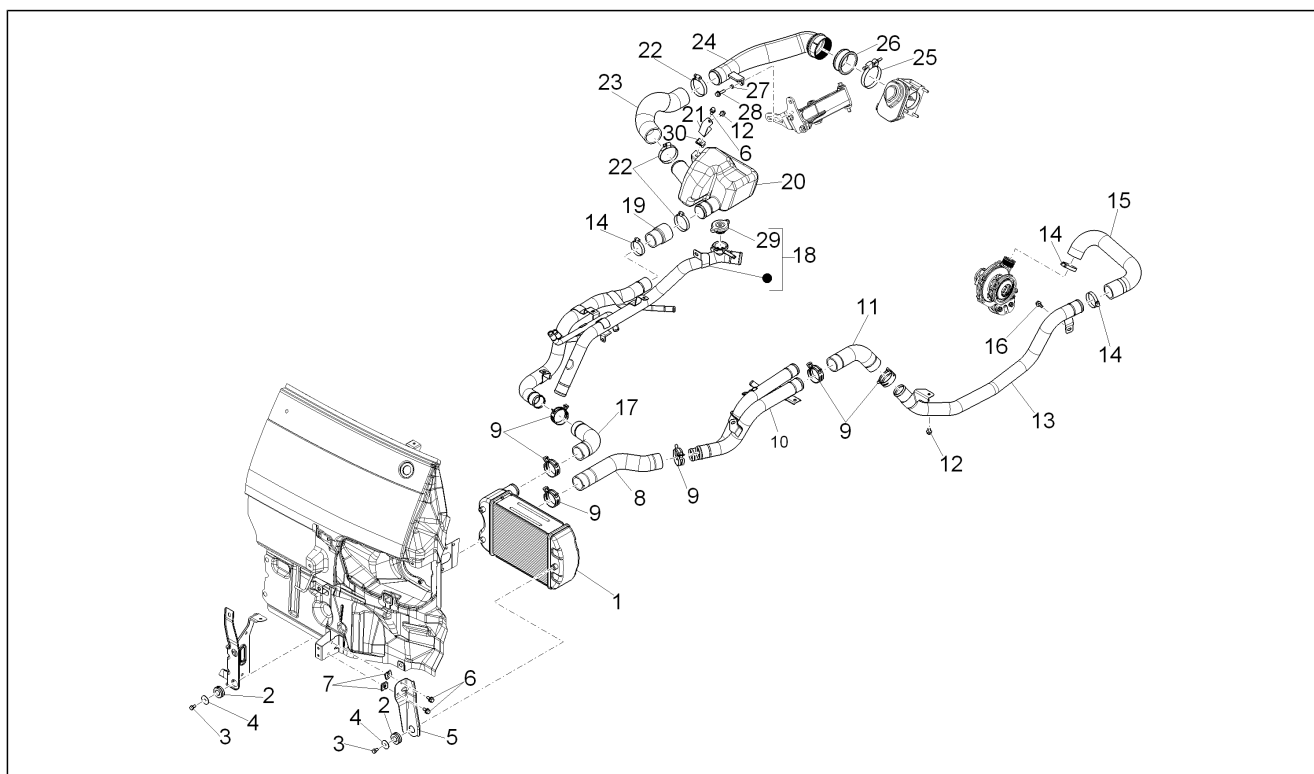
| Pos. | Code | Beschreibung | Menge | Varianten |
|------|---------|---|-------|-----------|
| 29 | 612483 | Sechskantschraube M8x20 | 2 | |
| 30 | 612489 | Geteilt. Federscheibe 8x24 | 3 | |
| 31 | 612470 | Distanzscheibe | 2 | |
| 32 | B011007 | Ausgleichscheibe | 1 | |
| 33 | 889505 | Geflanschte Mutter | 1 | |
| 34 | 833664 | Schraube m8x100 | 1 | |
| 35 | B000994 | Winkel | 1 | |
| 36 | 873980 | TE Schr. m. Flansch M8x40 | 2 | |
| 37 | B005644 | Blechschrabe | 7 | |
| 38 | 612496 | Flachscheibe 14x28 | 1 | |
| 39 | B007419 | Vorlaufleitung Verdichter Verflüssiger N.2 | 1 | |
| 40 | B005424 | Dichtung | 1 | |
| 41 | B023142 | Rücklaufleitung Verdampfer - Verdichter N.2 | 1 | |
| 42 | B023220 | Rechtes Leitblech | 1 | |
| 43 | B023267 | Rechtes bügel | 1 | |
| 44 | B023221 | Linkes Leitblech | 1 | |
| 45 | B023268 | Linkes halterbügel | 1 | |
| 46 | B023260 | L.Bügel unten | 1 | |

| | |
|---------------------|---|
| Einheit | Fahrgestell - Plastikformteil - Karosserien |
| Code | 02.49 |
| Beschreibung | Wärmetauscher |
| Inspektion | 1 |



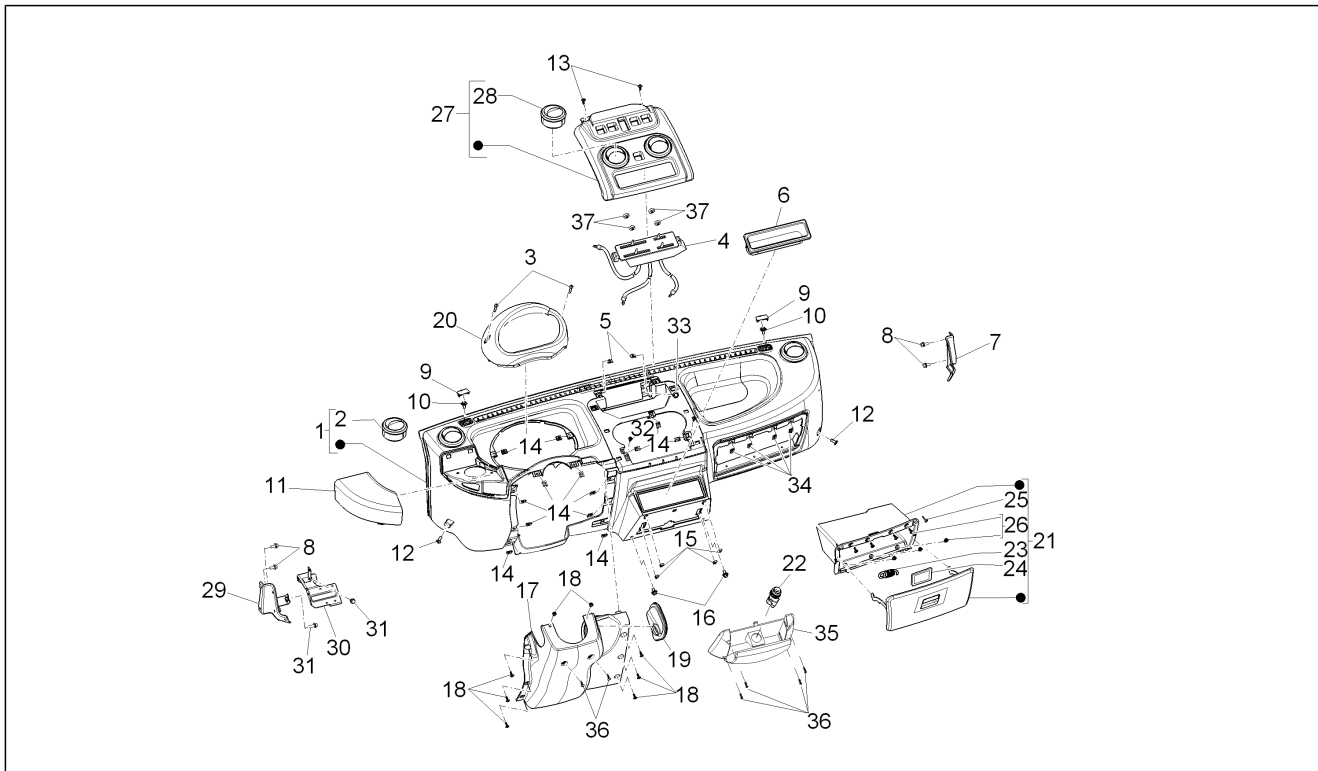
| Pos. | Code | Beschreibung | Menge | Varianten |
|------|---------------|----------------------------|-------|---|
| 1 | 660589 | Luft-Luft-Wärmetauscher | 1 | |
| 2 | B004385 | Puffer | 3 | |
| 3 | 9161160612000 | Schraubbolzen | 3 | |
| 4 | 016667 | Unterlegscheibe | 3 | |
| 5 | B004739 | Linkes bügel | 1 | |
| 5 | B023109 | Linkes bügel | 1 | Technische Spezifikation:Version mit Klimaanlage[AC] |
| 6 | D9165140616 | Sechskantschraube | 3 | |
| 7 | D9004179081 | Mutter | 2 | |
| 8 | B004089 | Luftleitung | 1 | |
| 9 | D9004467449 | Schelle | 6 | |
| 10 | B004086 | Cooler pipe N.3 | 1 | |
| 11 | B004793 | Luftleitung | 1 | |
| 12 | D9165140612 | Sechskantschraube | 4 | |
| 13 | B007099 | Ansaugleitung | 1 | |
| 14 | 709677 | Schelle | 3 | |
| 15 | B004771 | Luftleitung | 1 | |
| 16 | 9004119556000 | Schraube | 1 | |
| 17 | B004794 | Luftleitung | 1 | |
| 18 | B007644 | Cooler pipe N.2 | 1 | |
| 19 | B007880 | Gummianschluss | 1 | |
| 20 | B004774 | Druckbehälter | 1 | |
| 21 | B005411 | Befestigungs-Druckbehälter | 1 | |
| 22 | 614188 | Schlauchschelle | 3 | |
| 22 | 807315 | Schelle | 3 | |
| 23 | B007096 | Luftleitung | 1 | |
| 24 | B004090 | Luftleitung | 1 | |
| 25 | 293404 | Schelle | 1 | |
| 26 | B004800 | Dichtung | 1 | |

| | |
|---------------------|---|
| Einheit | Fahrgestell - Plastikformteil - Karosserien |
| Code | 02.49 |
| Beschreibung | Wärmeaustauscher |
| Inspektion | 1 |



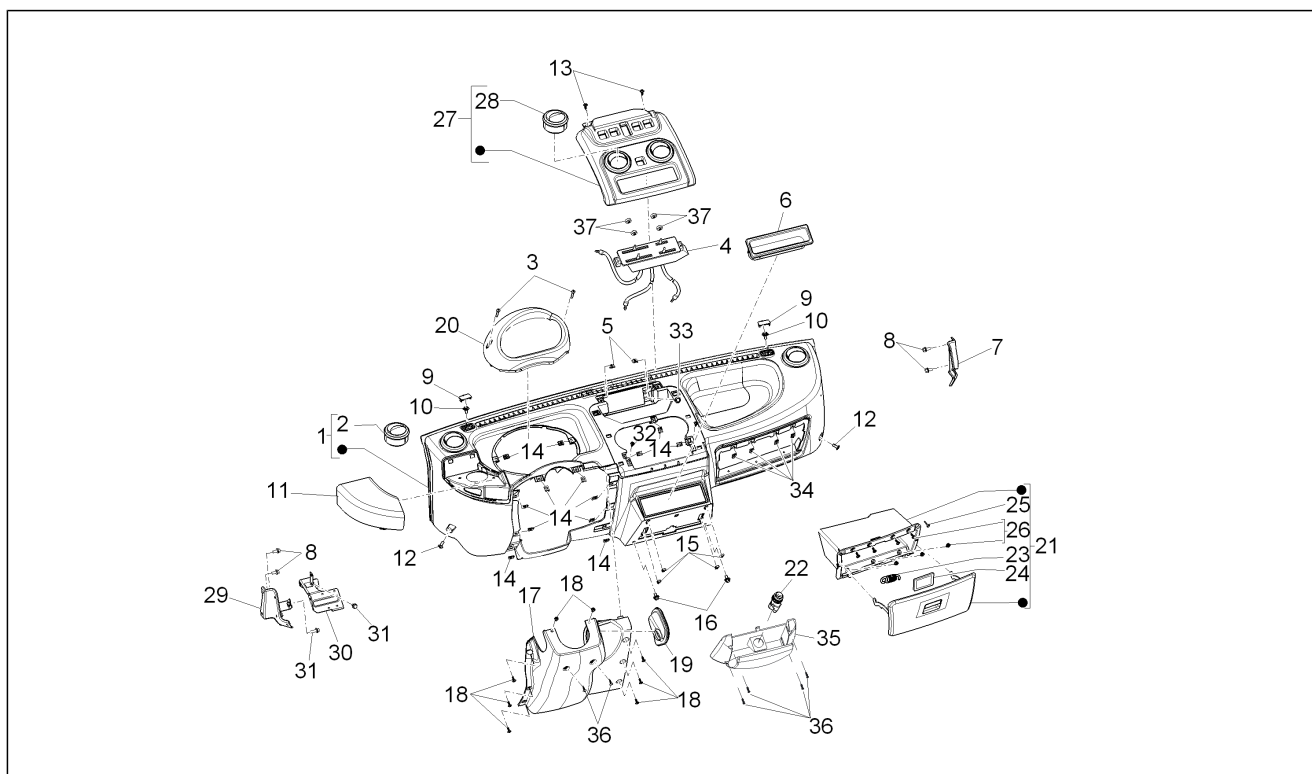
| Pos. | Code | Beschreibung | Menge | Varianten |
|------|---------------|------------------------|-------|-----------|
| 27 | B007098 | Distanzscheibe | 1 | |
| 28 | 9165160625000 | Schraubbolzen | 1 | |
| 29 | 660619 | Kühlerschraube 140 KPa | 1 | |
| 30 | 254485 | Federplättchen M6 | 1 | |

| | |
|---------------------|--------------------------------|
| Einheit | Lenker/Lenkung |
| Code | 03.02 |
| Beschreibung | Cockpitinstrumente - Cruscotto |
| Inspektion | 1 |



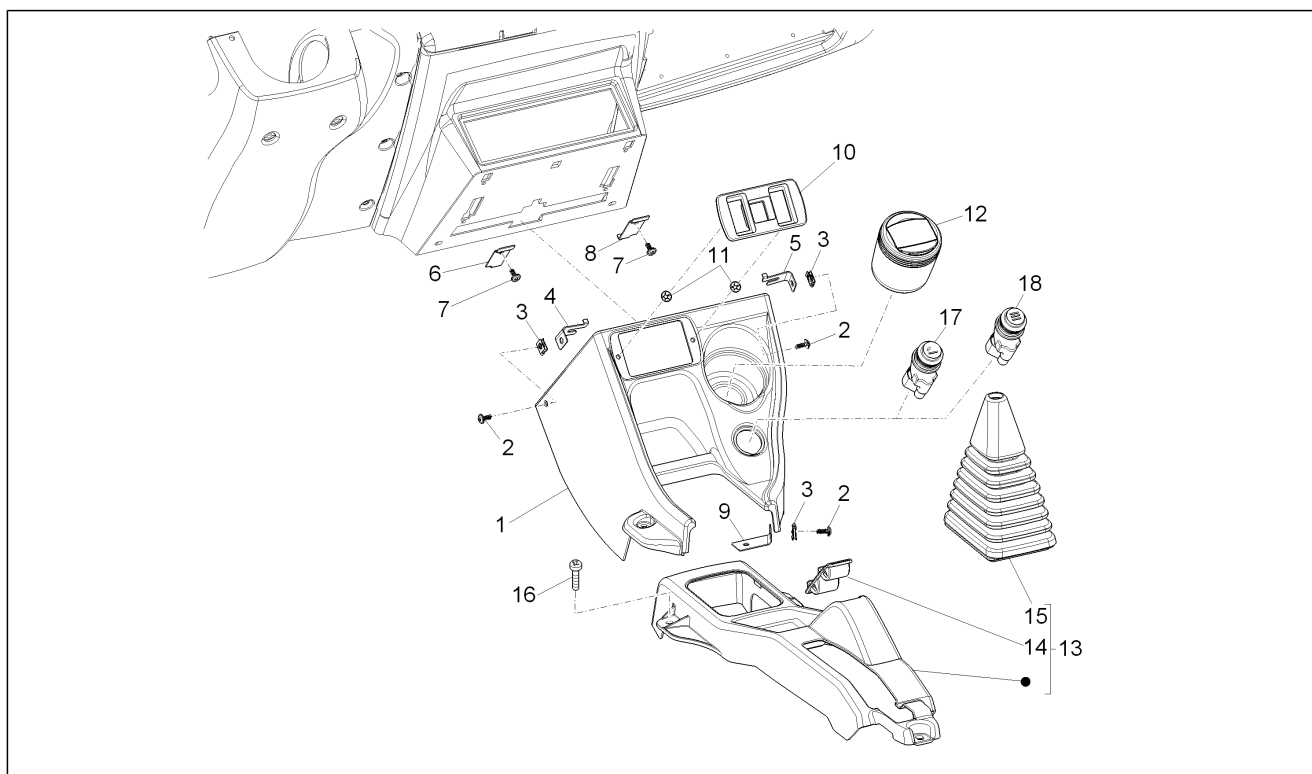
| Pos. | Code | Beschreibung | Menge | Varianten |
|------|---------------|----------------------------|-------|-----------|
| 1 | B000972 | Kabine komplett | 1 | |
| 1 | B005907 | Kabine komplett | 1 | |
| 2 | 613323 | Luftdüse | 2 | |
| 3 | 614772 | Schraube | 2 | |
| 4 | 613679 | Heizungsbedienung | 1 | |
| 5 | D9004183025 | Federplättchen | 2 | |
| 6 | 613276 | Handschuhfach | 1 | |
| 7 | 613858 | Halter rechts | 1 | |
| 8 | D9166140616 | Sechskantschraube | 4 | |
| 9 | 613813 | Deckel | 2 | |
| 10 | D9163140616 | Zylinderschraube | 2 | |
| 11 | 614794 | Deckel | 1 | |
| 12 | 272836 | Schraube M6x16 | 2 | |
| 13 | B004853 | Blechschaube torx | 2 | |
| 14 | D9004183025 | Federplättchen | 8 | |
| 15 | CM017403 | Federplättchen | 4 | |
| 16 | 9004119537000 | Schraubbolzen | 2 | |
| 17 | B000928 | Lenksäulenverkleidung | 1 | |
| 17 | B005909 | Lenksäulenverkleidung | 1 | |
| 18 | D9356755014 | Sechskantschraube | 8 | |
| 19 | B004112 | Verkleidung Lenkradschloss | 1 | |
| 20 | B004302 | Digitalcockpitinstrumente | 1 | |
| 21 | B005363 | Fach komplett | 1 | |
| 22 | 565429 | Zigarettenanzünder | 1 | |
| 23 | 644300 | Haken klappe | 1 | |
| 24 | 5552587Z01000 | Feder | 1 | |
| 25 | B000973 | Gummi | 2 | |
| 26 | 9354054012000 | Schraube | 3 | |

| | |
|---------------------|--------------------------------|
| Einheit | Lenker/Lenkung |
| Code | 03.02 |
| Beschreibung | Cockpitinstrumente - Cruscotto |
| Inspektion | 1 |



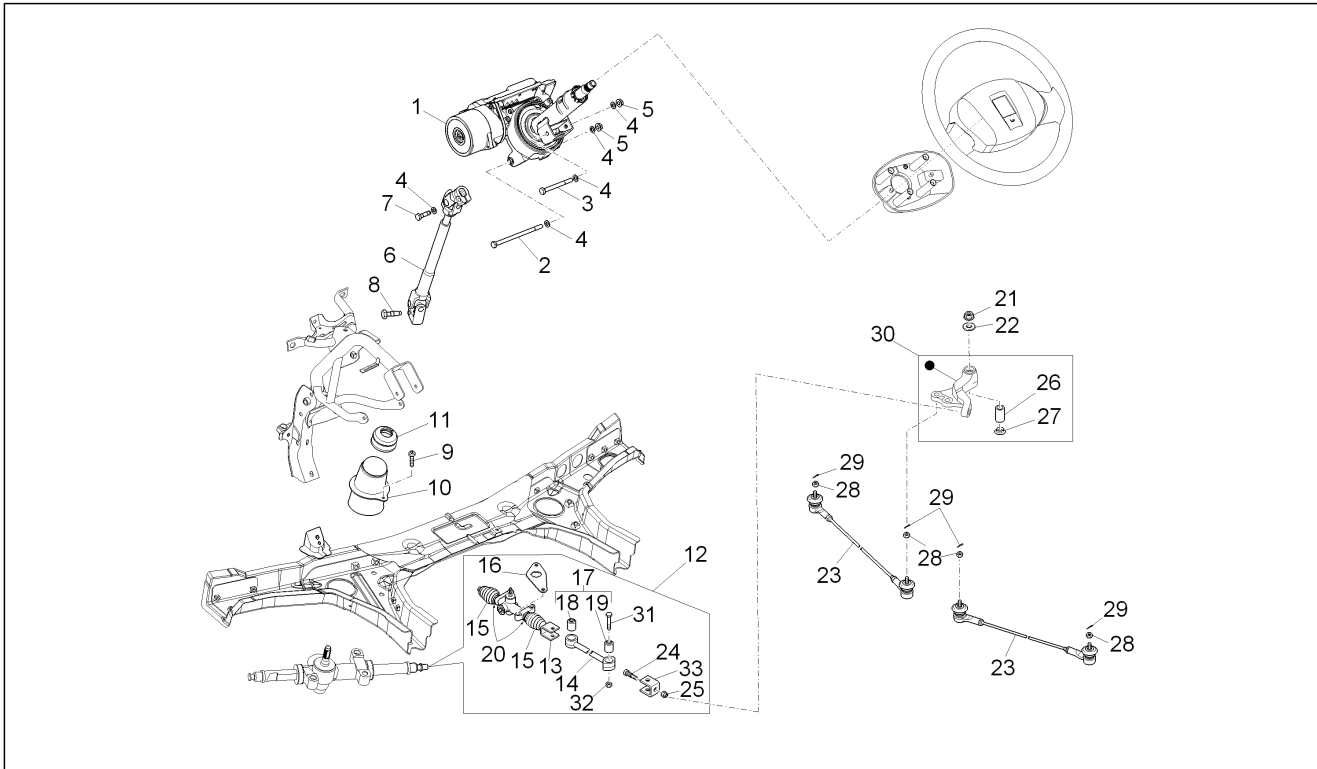
| Pos. | Code | Beschreibung | Menge | Varianten |
|------|-------------|----------------------------|-------|-----------|
| 27 | B004258 | Instrumententafel komplett | 1 | |
| 28 | 613323 | Luftdüse | 2 | |
| 29 | B000990 | Halter links | 1 | |
| 30 | B005119 | Halterbügel | 1 | |
| 31 | D9165140620 | Flanschschraube | 2 | |
| 32 | D9356755014 | Sechskantschraube | 2 | |
| 33 | D9165140620 | Flanschschraube | 2 | |
| 34 | D9004183025 | Federplättchen | 8 | |
| 35 | 613326 | Aschenbecher | 1 | |
| 36 | 015859 | Schraube 3,5x16 | 4 | |
| 37 | 613678 | Einstellknopf heizung | 4 | |

| | |
|---------------------|------------------|
| Einheit | Lenker/Lenkung |
| Code | 03.04 |
| Beschreibung | Mittlerer Tunnel |
| Inspektion | 1 |



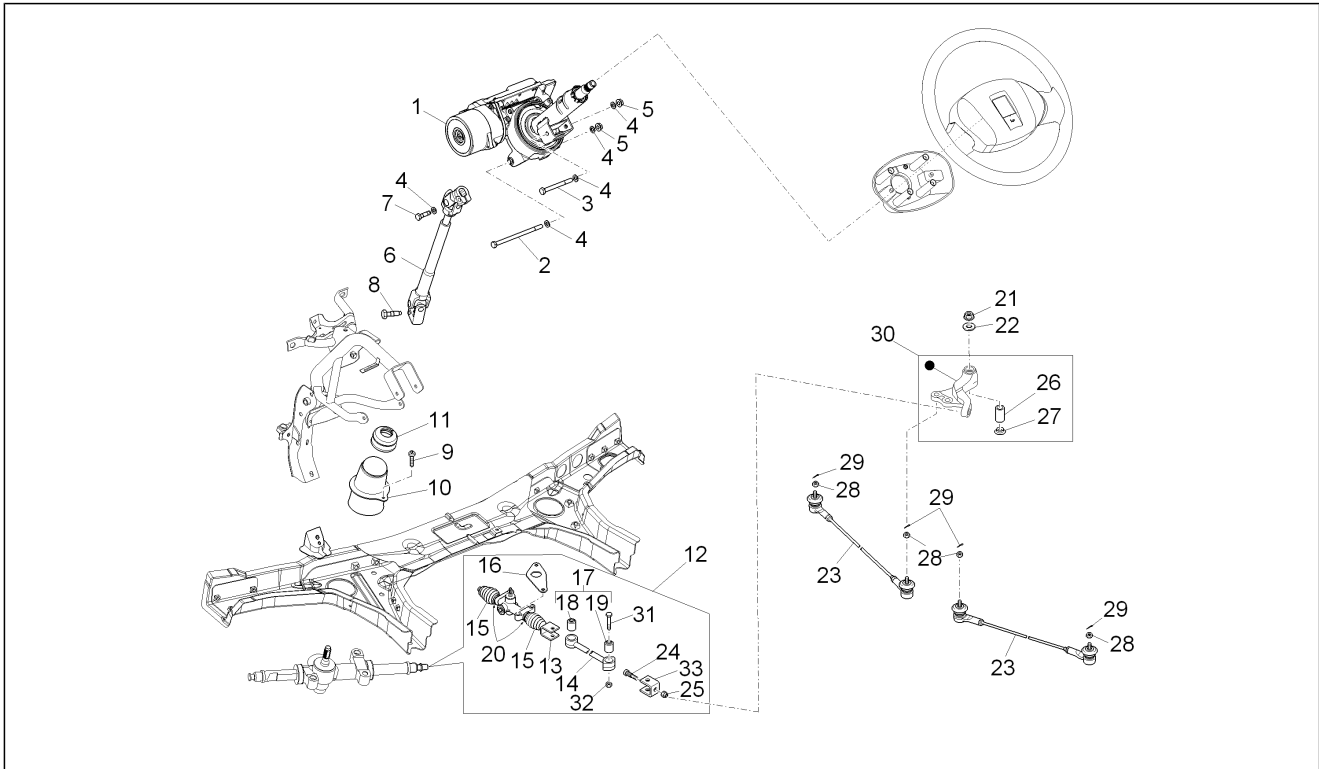
| Pos. | Code | Beschreibung | Menge | Varianten |
|------|---------------|----------------------------------|-------|-----------|
| 1 | B004320 | Tunnel | 1 | |
| 2 | D9356755014 | Sechskantschraube | 3 | |
| 3 | D9004183025 | Federplättchen | 3 | |
| 4 | B004459 | L.Bügel unten | 1 | |
| 5 | B004317 | R.Bügel unten | 1 | |
| 6 | B004315 | Linkes halterbügel | 1 | |
| 7 | 015859 | Schraube 3,5x16 | 2 | |
| 8 | B004316 | Rechter halterbügel | 1 | |
| 9 | B004318 | Befestigungsbügel Tunnel-Konsole | 1 | |
| 10 | B004325 | Schalterträger | 1 | |
| 11 | 181351 | Federplättchen | 2 | |
| 12 | B004319 | Aschenbecher | 1 | |
| 13 | 615093 | Konsole | 1 | |
| 14 | 5882587Z01030 | Tasche | 1 | |
| 15 | 615430 | Staubschutz schaltknüppel | 1 | |
| 16 | 296170 | Schraube M6x14 | 3 | |
| 17 | 565429 | Zigarettenanzünder | 1 | |
| 18 | B007157 | Steckdose | 1 | |

| | |
|---------------------|---------------------|
| Einheit | Lenker/Lenkung |
| Code | 03.06 |
| Beschreibung | Lenkradartikulation |
| Inspektion | 1 |



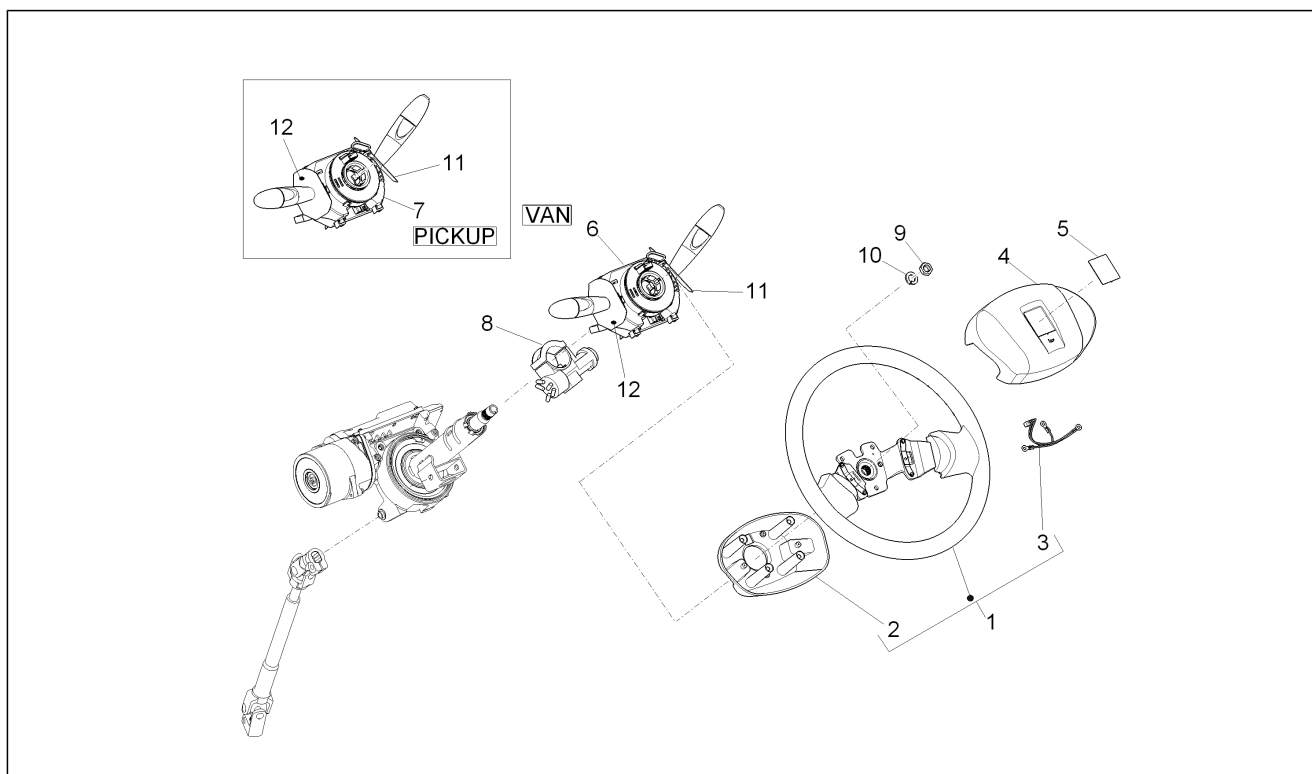
| Pos. | Code | Beschreibung | Menge | Varianten |
|------|---------------|----------------------------------|-------|-----------|
| 1 | B0005185 | Lenksäule mit EPS | 1 | |
| 1 | B005915 | Lenksäule mit EPS (contact less) | 1 | |
| 2 | B000508 | Sechskantschraube | 1 | |
| 3 | 030082 | Schraube | 1 | |
| 4 | 003058 | Flachscheibe 15x8,4x1,5 | 5 | |
| 5 | 015341 | Geflanschte Mutter | 2 | |
| 6 | B0009835 | Lenkspindel | 1 | |
| 7 | B000504 | Spezialschraube M8x30 | 1 | |
| 8 | B000505 | Spezialschraube | 1 | |
| 9 | D9327056012 | Sechskantschraube | 6 | |
| 10 | B000466 | Haube | 1 | |
| 11 | B000467 | Ring | 1 | |
| 12 | B004148 | Lenkgehäuse komplett | 1 | |
| 13 | B004827 | Bügel | 1 | |
| 14 | B004678 | Gelenk | 1 | |
| 15 | B004820 | Haube | 2 | |
| 16 | B004694 | Staubschutz | 1 | |
| 17 | 1R000272 | Satz Buchsen Lenkgehäuse | 1 | |
| 18 | B004679 | Buchse | 1 | |
| 19 | B004680 | Buchse | 1 | |
| 20 | B004821 | Sprengring | 2 | |
| 21 | 9004178043000 | Mutter | 1 | |
| 22 | 9004201638000 | Unterlegscheibe | 1 | |
| 23 | 652234 | Achsschenkel | 2 | |
| 24 | B004826 | Spezialschraube | 1 | |
| 25 | B004825 | Mutter, selbstsichernd | 1 | |
| 26 | 9004389104000 | Bundring | 1 | |
| 27 | 9004210027000 | Unterlegscheibe | 1 | |

| | |
|---------------------|---------------------|
| Einheit | Lenker/Lenkung |
| Code | 03.06 |
| Beschreibung | Lenkradartikulation |
| Inspektion | 1 |



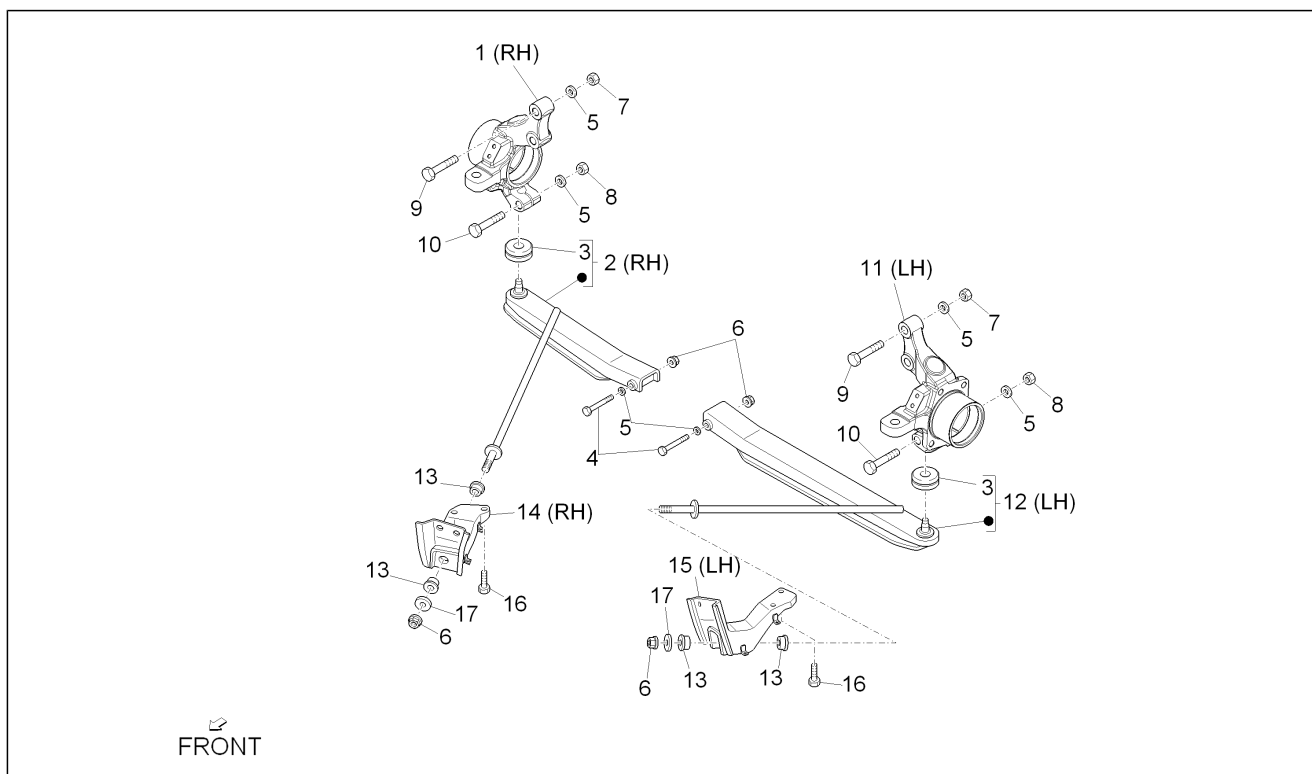
| Pos. | Code | Beschreibung | Menge | Varianten |
|------|---------------|------------------------|-------|-----------|
| 28 | 9004171003000 | Mutter | 4 | |
| 29 | 261336 | Splint | 4 | |
| 30 | 262480 | Lenkarm | 1 | |
| 31 | B004823 | Sechskantschraube | 2 | |
| 32 | B004824 | Mutter, selbstsichernd | 2 | |
| 33 | B004822 | Bügel | 1 | |

| | |
|---------------------|----------------|
| Einheit | Lenker/Lenkung |
| Code | 03.08 |
| Beschreibung | Lenkrad |
| Inspektion | 1 |



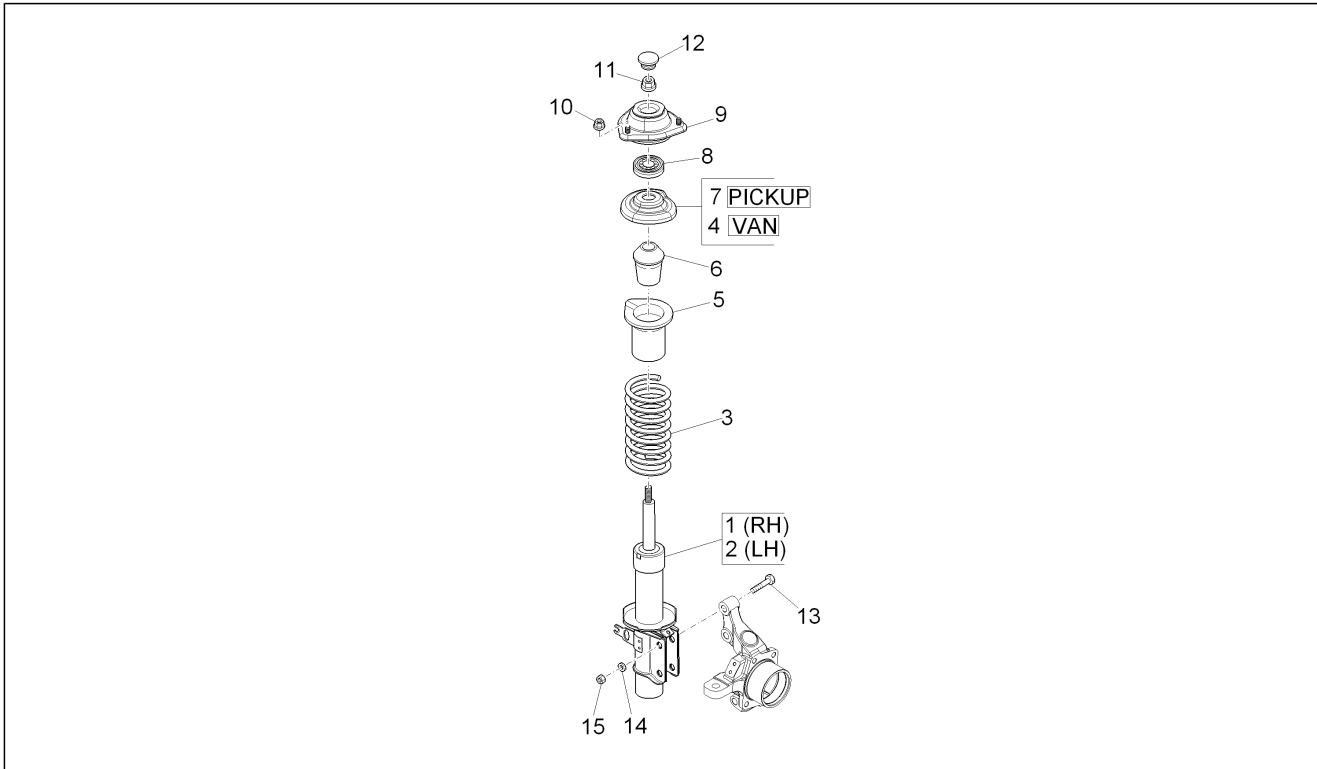
| Pos. | Code | Beschreibung | Menge | Varianten |
|------|----------|--------------------------------|-------|---|
| 1 | B000932 | Lenkrad | 1 | |
| 2 | B000933 | Schutz unten | 1 | |
| 3 | 1D001021 | Kabel mit antiparalleler Diode | 1 | |
| 3 | B000934 | Kabel | 1 | |
| 4 | B000935 | Abdeckung Hupe | 1 | |
| 5 | B000516 | Piaggio plakette | 1 | |
| 6 | B004276 | Lichtschalter | 1 | Technische Spezifikation: Kastenwagen[VAN] |
| 7 | B004275 | Lichtschalter | 1 | Technische Spezifikation: Alle Pick-up-Versionen[PICKUP] |
| 8 | B004111 | Lenkerschloss mit Zündschalter | 1 | |
| 9 | 021216 | Mutter | 1 | |
| 10 | B000497 | Federring | 1 | |
| 11 | B004123 | Staubschutzring rechts | 1 | |
| 12 | B004124 | Staubschutzring links | 1 | |

| | |
|---------------------|-----------------|
| Einheit | Radaufhängungen |
| Code | 04.01 |
| Beschreibung | Schwingarm |
| Inspektion | 1 |



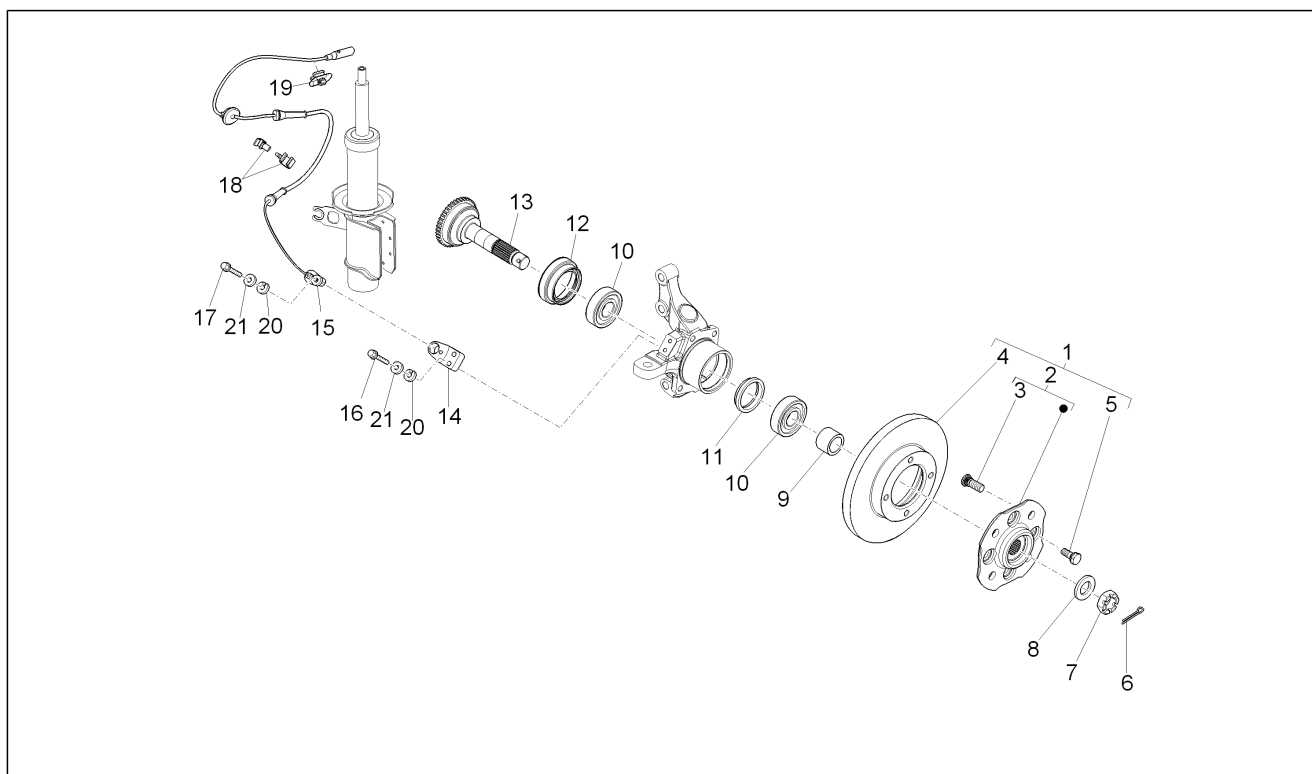
| Pos. | Code | Beschreibung | Menge | Varianten |
|------|---------------|-----------------------------|-------|--|
| 1 | B000522 | Nabe rechts | 1 | Technische Spezifikation:Rechts[RH] |
| 2 | B006059 | Arm unten rechts | 1 | Technische Spezifikation:Rechts[RH] |
| 3 | 4334587507000 | Staubschutz | 2 | |
| 4 | 9004101605000 | Bolzen | 2 | |
| 5 | D9451201200 | Flachscheibe | 8 | |
| 6 | 264878 | Geflanschte Mutter M12x1,25 | 2 | |
| 7 | D9411551200 | Mutter | 4 | |
| 8 | D9411571200 | Mutter | 2 | |
| 9 | 9117171255000 | Schraubbolzen M12x55 | 4 | |
| 10 | D9004101583 | Schraubbolzen | 2 | |
| 11 | B000521 | Nabe links | 1 | Technische Spezifikation:Links[LH] |
| 12 | B006060 | Arm unten links | 1 | Technische Spezifikation:Links[LH] |
| 13 | 4867487Z01000 | Puffer | 4 | |
| 14 | 4807387Z01000 | Befestigung rechter holm | 1 | Technische Spezifikation:Rechts[RH] |
| 15 | B007435 | Befestigung linker holm | 1 | Technische Spezifikation:Links[LH] |
| 16 | B005057 | Sechskantschraube M10x30 | 8 | |
| 17 | D9004201542 | Unterlegscheibe | 2 | |

| | |
|---------------------|-------------------------------------|
| Einheit | Radaufhängungen |
| Code | 04.03 |
| Beschreibung | Vordere Radaufhängung - Stoßdämpfer |
| Inspektion | 1 |



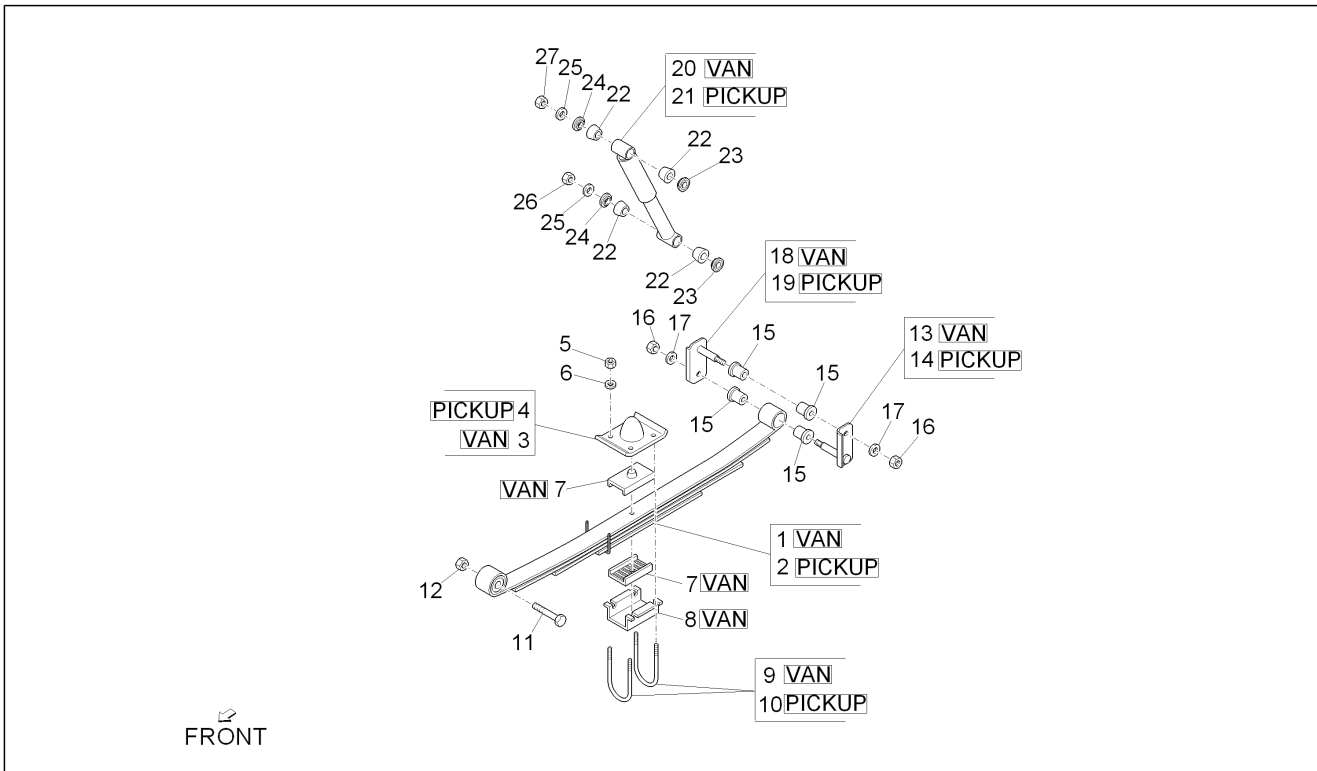
| Pos. | Code | Beschreibung | Menge | Varianten |
|------|---------------|------------------------------|-------|---|
| 1 | B007641 | Stossdämpfer vorderer rechts | 1 | Technische Spezifikation: Rechts[RH] |
| 2 | B007642 | Stossdämpfer vorderer links | 1 | Technische Spezifikation: Links[LH] |
| 3 | B005384 | Stoßdämpferfeder | 2 | |
| 4 | 4847087Z02000 | Oberer sitz | 2 | Technische Spezifikation: Kastenwagen[VAN] |
| 5 | 4855987Z01000 | Staubschutz stoßdämpfer | 2 | |
| 6 | 658155 | Puffer | 2 | |
| 7 | 4847087Z01000 | Oberer sitz | 2 | Technische Spezifikation: Alle Pick-up-Versionen[PICKUP] |
| 8 | 9004386101000 | Stoßdämpferbuchse vorne | 2 | |
| 9 | B004342 | Elastische Halterung | 2 | |
| 10 | 9004179075000 | Mutter | 6 | |
| 11 | 264878 | Geflanschte Mutter M12x1,25 | 2 | |
| 12 | 4868487502000 | Staubschutz | 2 | |
| 13 | 9117171255000 | Schraubbolzen M12x55 | 4 | |
| 14 | D9451201200 | Flachscheibe | 4 | |
| 15 | D9411551200 | Mutter | 4 | |

| | |
|---------------------|-----------------|
| Einheit | Radaufhängungen |
| Code | 04.04 |
| Beschreibung | Vorderradnabe |
| Inspektion | 1 |



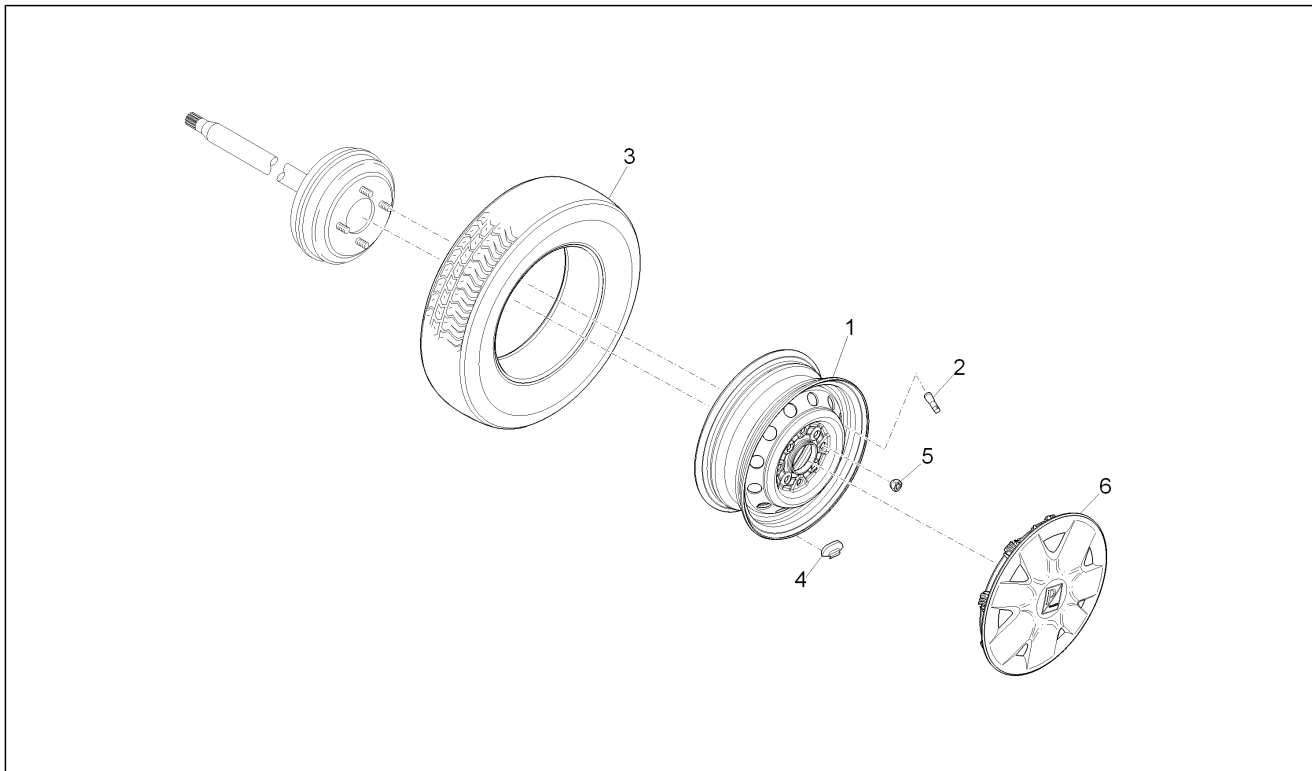
| Pos. | Code | Beschreibung | Menge | Varianten |
|------|---------------|----------------------------------|-------|-----------|
| 1 | D4351087Z02 | - | 2 | |
| 2 | 4350287Z01000 | Vorderachsnahe | 2 | |
| 3 | 9004912035000 | Bolzen radnabe L=35mm, M12 p=1,5 | 8 | |
| 4 | 4351287Z02000 | Bremsscheibe Vorderradbremse | 2 | |
| 5 | 9004119520000 | Schraubbolzen | 8 | |
| 6 | D9004252016 | Splint | 2 | |
| 7 | D9004171053 | Mutter | 2 | |
| 8 | 9004201224000 | Unterlegscheibe | 2 | |
| 9 | 9004311202000 | Gasket ring | 2 | |
| 10 | 9004363242000 | Lager | 4 | |
| 11 | 644299 | Bundring | 2 | |
| 12 | 9004311201000 | Gasket ring | 2 | |
| 13 | 658979 | Vorderradachse | 2 | |
| 14 | B000523 | Sensor halter | 2 | |
| 15 | B000525 | Vorderer ABS-Sensor | 2 | |
| 16 | 030052 | Schraube | 4 | |
| 17 | 031090 | Sechskantschraube | 2 | |
| 18 | B004140 | Kleine Feder | 2 | |
| 19 | B005629 | Molletta | 2 | |
| 20 | 016406 | Federring 6,4x11,8x1 | 6 | |
| 21 | 013777 | Unterlegscheibe 6.4x13x1.5 | 6 | |

| | |
|---------------------|-------------------------------------|
| Einheit | Radaufhängungen |
| Code | 04.05 |
| Beschreibung | Hintere Radaufhängung - Stoßdämpfer |
| Inspektion | 1 |



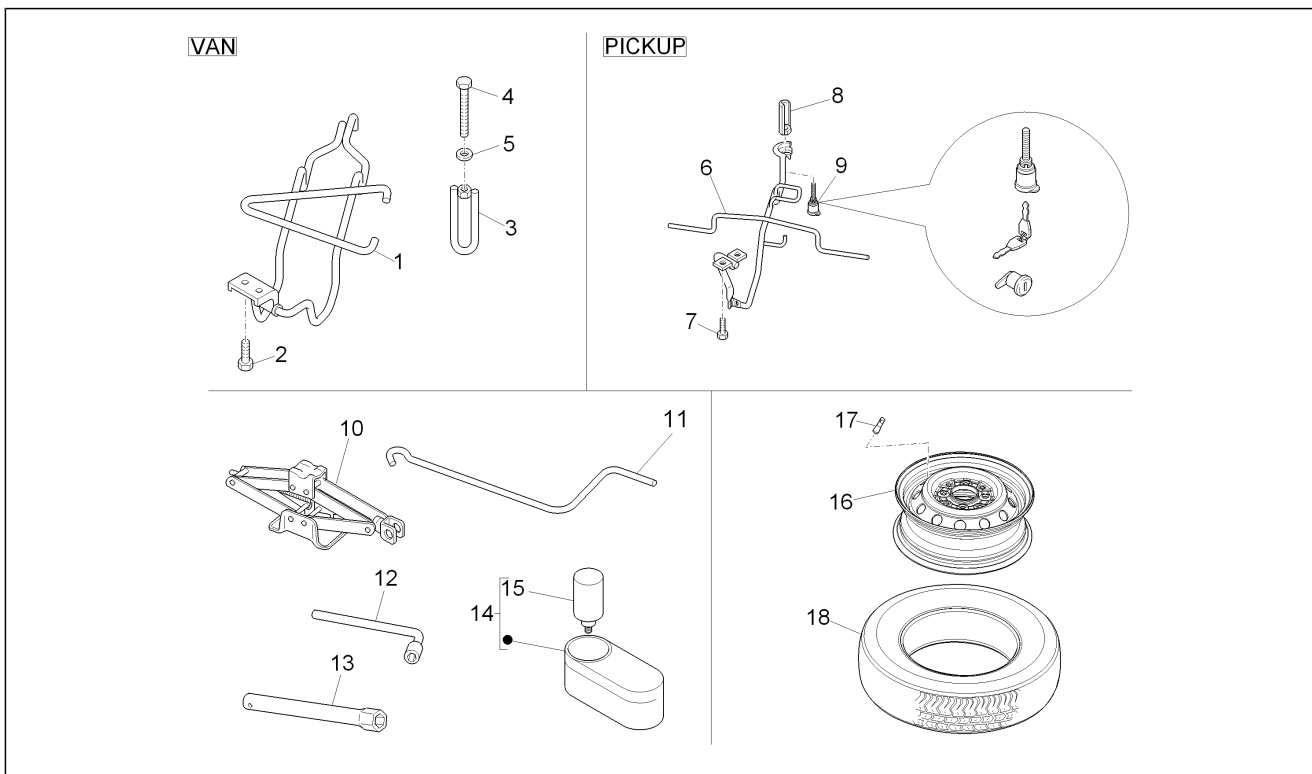
| Pos. | Code | Beschreibung | Menge | Varianten |
|------|---------------|-------------------------------------|-------|---|
| 1 | B005010 | Feder Blattfeder | 2 | Technische Spezifikation: Kastenwagen[VAN] |
| 2 | B007445 | Feder Blattfeder | 2 | Technische Spezifikation: Alle Pick-up-Versionen[PICKUP] |
| 3 | 4834187Z03000 | Puffer hintere feder | 2 | Technische Spezifikation: Kastenwagen[VAN] |
| 4 | 4834187Z02000 | Puffer hintere feder | 2 | Technische Spezifikation: Alle Pick-up-Versionen[PICKUP] |
| 5 | D9411071000 | Mutter | 8 | |
| 6 | 9451201000000 | Onduflex u.scheibe | 8 | |
| 7 | 4837287Z01000 | Rückhalteteil | 4 | Technische Spezifikation: Kastenwagen[VAN] |
| 8 | 4837187Z02000 | Rückhalter feder | 2 | Technische Spezifikation: Kastenwagen[VAN] |
| 9 | D9004117087T | U-Schraube | 4 | Technische Spezifikation: Kastenwagen[VAN] |
| 10 | B023019 | U-Schraube | 4 | Technische Spezifikation: Alle Pick-up-Versionen[PICKUP] |
| 11 | 261315 | Schraube M12x85 | 2 | |
| 12 | 261319 | Mutter m12x1,25 h=12,5 | 2 | |
| 13 | 4840887Z01000 | Befestigung hinteres aufhängungsgel | 2 | Technische Spezifikation: Kastenwagen[VAN] |
| 14 | D4840887Z03 | Befestigung hinteres aufhängungsgel | 2 | Technische Spezifikation: Alle Pick-up-Versionen[PICKUP] |
| 15 | 261219 | Gummibuchse | 8 | |
| 16 | D9411051000 | Mutter | 4 | |
| 17 | 9451101000000 | Unterlegscheibe | 4 | |
| 18 | 4804187Z01000 | Befestigung hinteres aufhängungsgel | 2 | Technische Spezifikation: Kastenwagen[VAN] |
| 19 | D4804187Z02 | Befestigung hinteres aufhängungsgel | 2 | Technische Spezifikation: Alle Pick-up-Versionen[PICKUP] |
| 20 | B005012 | Hinterer Stoßdämpfer | 2 | Technische Spezifikation: Kastenwagen[VAN] |
| 21 | 4853187Z10000 | Stoßdämpfer hinten | 2 | Technische Spezifikation: Alle Pick-up-Versionen[PICKUP] |
| 22 | B004981 | Buchse | 8 | |
| 23 | D9004209144 | Flachscheibe | 4 | |
| 24 | D9004209143 | Flachscheibe | 4 | |
| 25 | D9451101200 | Unterlegscheibe | 4 | |
| 26 | D9004170152 | Mutter | 2 | |
| 27 | D9411541200 | Mutter | 2 | |

| | |
|---------------------|-----------------------------|
| Einheit | Radaufhängungen |
| Code | 04.06 |
| Beschreibung | Vorderräder und Hinterräder |
| Inspektion | 1 |



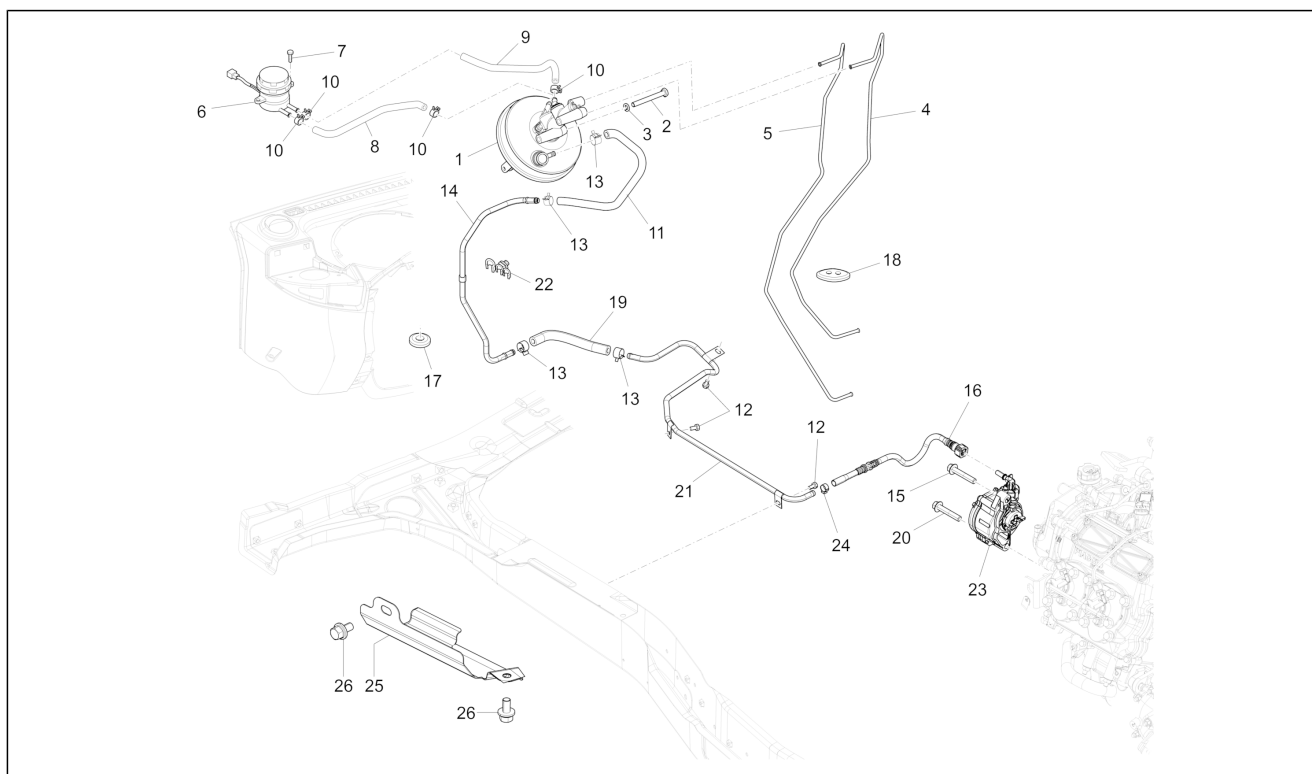
| Pos. | Code | Beschreibung | Menge | Varianten |
|------|---------------|----------------------------------|-------|-----------|
| 1 | 56591R | Radfelge 4,5 J 13" | 4 | |
| 1 | B023284 | Radfelge 13" | 4 | |
| 2 | 9004902019000 | Ventil | 4 | |
| 3 | B004956 | Schlauchloser Reifen 155/80 R13 | 4 | |
| 3 | B007414 | 155/80-13" | 4 | |
| 3 | 610419M | Tubeless-Reifen (M/S) 155/80 R13 | 4 | |
| 4 | CM037402 | Ausgleichsgegengewicht 10 g | 1 | |
| 4 | CM037403 | Ausgleichsgegengewicht 15 g | 1 | |
| 4 | CM037404 | Ausgleichsgegengewicht 20 g | 1 | |
| 4 | CM037405 | Ausgleichsgegengewicht 25 g | 1 | |
| 4 | CM037406 | Ausgleichsgegengewicht 30 g | 1 | |
| 4 | CM037407 | Ausgleichsgegengewicht 35 g | 1 | |
| 4 | CM037408 | Ausgleichsgegengewicht 40 g | 1 | |
| 4 | CM037409 | Ausgleichsgegengewicht 45 g | 1 | |
| 4 | CM037410 | Ausgleichsgegengewicht 50 g | 1 | |
| 4 | CM037411 | Ausgleichsgegengewicht 55 g | 1 | |
| 4 | CM037412 | Ausgleichsgegengewicht 60 g | 1 | |
| 5 | 9004911036000 | Mutter | 16 | |
| 6 | B007857 | Radabdeckung 13" | 4 | |

| | |
|---------------------|----------------------------|
| Einheit | Radaufhängungen |
| Code | 04.07 |
| Beschreibung | Ersatzrad - Werkzeugtasche |
| Inspektion | 1 |



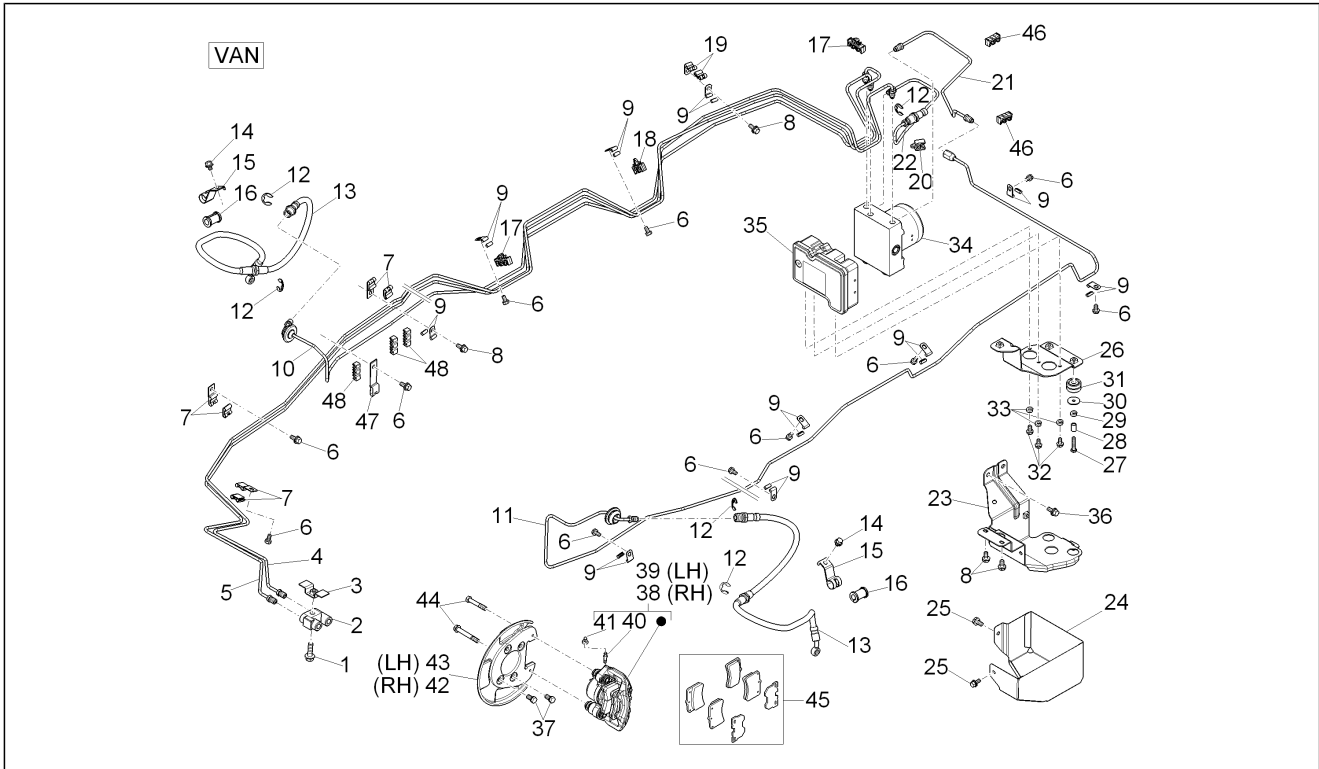
| Pos. | Code | Beschreibung | Menge | Varianten |
|------|---------------|----------------------------------|-------|---|
| 1 | B007024 | Reserveradtrommel 13" | 1 | Technische Spezifikation: Kastenwagen[VAN] |
| 2 | 9165140816000 | Schraube | 2 | Technische Spezifikation: Kastenwagen[VAN] |
| 3 | 5190987Z01000 | Haken ersatzradbefestigung | 1 | Technische Spezifikation: Kastenwagen[VAN] |
| 4 | B007025 | Sechskantschraube | 1 | Technische Spezifikation: Kastenwagen[VAN] |
| 5 | 9004201549000 | Unterlegscheibe | 1 | Technische Spezifikation: Kastenwagen[VAN] |
| 6 | B004623 | Reserveradtrommel | 1 | Technische Spezifikation: Alle Pick-up-Versionen[PICKUP] |
| 7 | 9165140822000 | Sechskantschraube | 2 | Technische Spezifikation: Alle Pick-up-Versionen[PICKUP] |
| 8 | 5195287Z01000 | Reserveradhalterung | 1 | Technische Spezifikation: Alle Pick-up-Versionen[PICKUP] |
| 9 | 566819 | Bausatz schloßzylinder | 1 | Technische Spezifikation: Alle Pick-up-Versionen[PICKUP] |
| 10 | 0911187Z01000 | Wagenheber | 1 | |
| 11 | 0911387Z01000 | Kurbel wagenheber | 1 | |
| 12 | 0915187Z03000 | Socket spanner | 1 | |
| 13 | 0915587Z04000 | Zündkerzenschlüssel | 1 | |
| 14 | 646230 | Reparaturkit | 1 | |
| 15 | 646234 | Sprühdose | 1 | |
| 16 | 56585R | Radfelge 13" | 1 | |
| 16 | B023284 | Radfelge 13" | 1 | |
| 17 | 9004902019000 | Ventil | 1 | |
| 18 | B004956 | Schlauchloser Reifen 155/80 R13 | 1 | |
| 18 | B007414 | 155/80-13" | 1 | |
| 18 | 610419M | Tubeless-Reifen (M/S) 155/80 R13 | 1 | |

| | |
|---------------------|------------------------------|
| Einheit | Bremsanlage - Bowdenzüge |
| Code | 05.01 |
| Beschreibung | Front bremschlauchen - Pumpe |
| Inspektion | 1 |



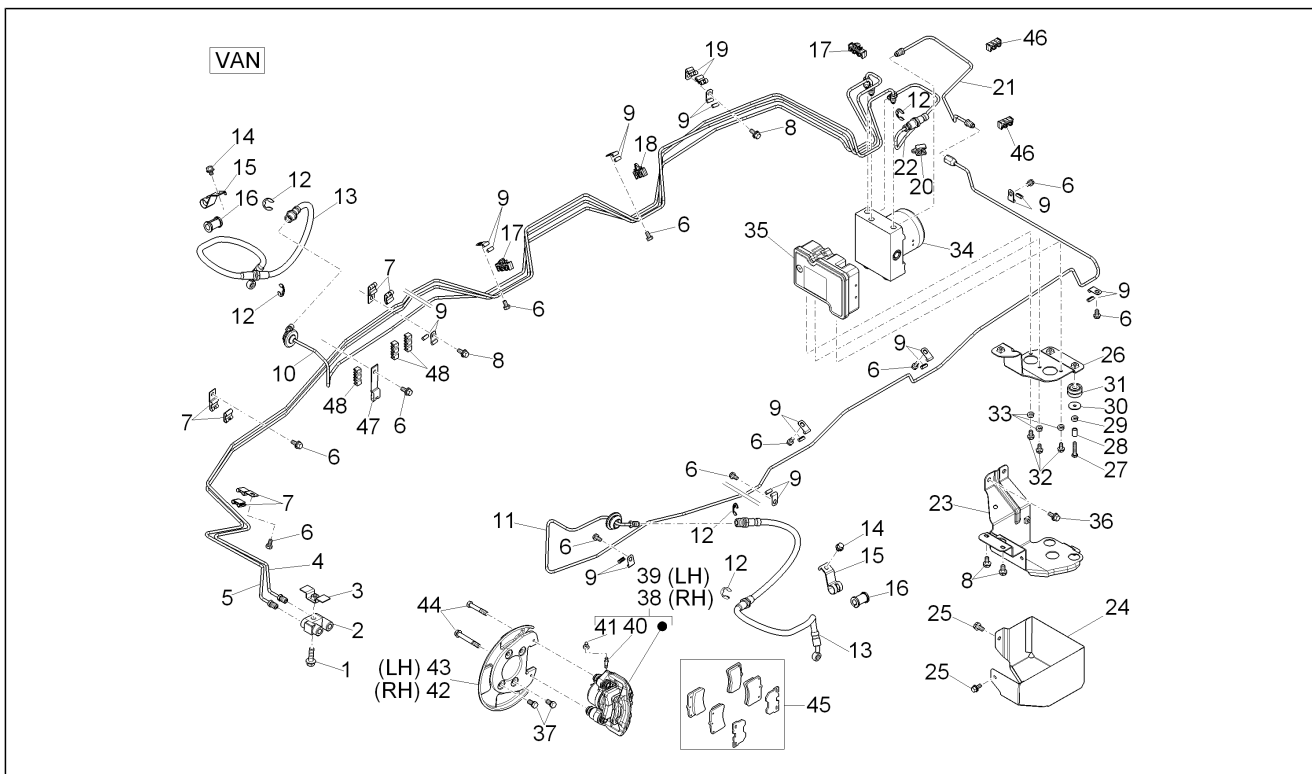
| Pos. | Code | Beschreibung | Menge | Varianten |
|------|---------------|--------------------------------|-------|-----------|
| 1 | 4720087Z01000 | Bremspumpe komplett | 1 | |
| 1 | B005913 | Bremspumpe komplett | 1 | |
| 2 | 262125 | Sechskantschraube M10x130 | 2 | |
| 3 | 016410 | Unterlegscheibe 17,6x11x2,5 | 2 | |
| 4 | B000528 | Vorderradbremseleitung | 1 | |
| 5 | B000529 | Hinterradbremseleitung | 1 | |
| 6 | 613319 | Öltank Bremsen | 1 | |
| 7 | 9165160620000 | Schraubbolzen | 2 | |
| 8 | B000893 | Tankleitung N.1 | 1 | |
| 9 | B000892 | Tankleitung N.2 | 1 | |
| 10 | D9004467161 | Schlauchschele | 4 | |
| 11 | 4477387505000 | Schlauch | 1 | |
| 11 | B005914 | Schlauch | 1 | |
| 12 | 9161160612000 | Schraubbolzen | 3 | |
| 13 | 9004467161000 | Schelle | 4 | |
| 14 | 4476287Z02000 | Leitung | 1 | |
| 15 | 828911 | TE Schr. m. Flansch M8x35 | 1 | |
| 16 | B023239 | Druckabbauleitung Bremse | 1 | |
| 17 | 9004480378000 | Kabelführung | 1 | |
| 18 | 9004480396000 | Kabelführung | 1 | |
| 19 | B007829 | Schlauch | 1 | |
| 20 | 833663 | Schraube | 1 | |
| 21 | B007348 | Rohr | 1 | |
| 22 | B005045 | Schelle | 1 | |
| 23 | 888379 | Vakuumpumpe komplett | 1 | |
| 24 | CM001901 | Schlauchschele | 1 | |
| 25 | B023532 | Schutz Hydraulikleitung Bremse | 1 | |
| 26 | D9165140614 | Sechskantschraube | 2 | |

| | |
|---------------------|------------------------------|
| Einheit | Bremsanlage - Bowdenzüge |
| Code | 05.02 |
| Beschreibung | Bremschläuchen - Bremszangen |
| Inspektion | 1 |



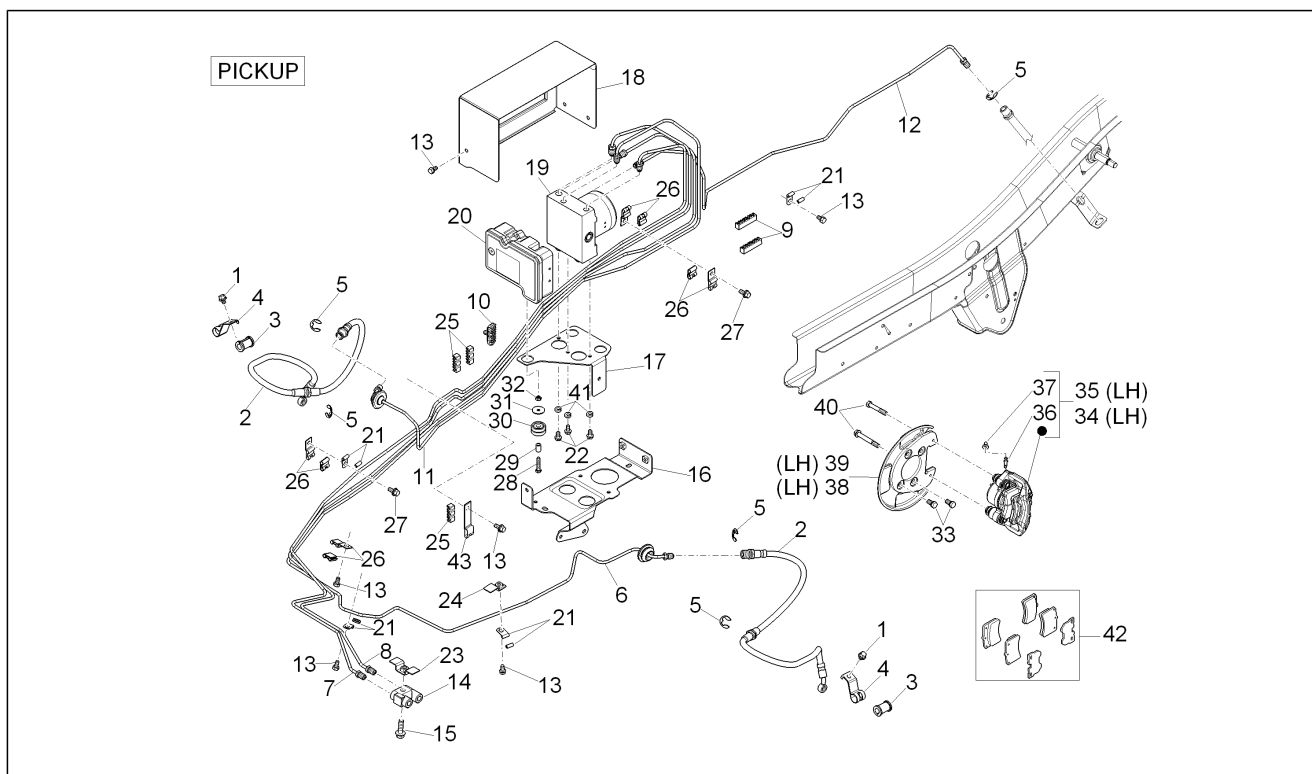
| Pos. | Code | Beschreibung | Menge | Varianten |
|------|---------------|---|-------|---|
| 1 | D9165160830 | Flanschschraube | 1 | Technische Spezifikation:Kastenwagen[VAN] |
| 2 | B000527 | 4-Wege-Anschluss | 1 | Technische Spezifikation:Kastenwagen[VAN] |
| 3 | D5515287Z01 | Halterung | 1 | Technische Spezifikation:Kastenwagen[VAN] |
| 4 | B007410 | Vorderradbremseleitung | 1 | Technische Spezifikation:Kastenwagen[VAN] |
| 5 | B007409 | Hinterradbremseleitung | 1 | Technische Spezifikation:Kastenwagen[VAN] |
| 6 | 9161160612000 | Schraubbolzen | 10 | Technische Spezifikation:Kastenwagen[VAN] |
| 7 | D9004461468 | Schelle | 3 | Technische Spezifikation:Kastenwagen[VAN] |
| 8 | D9165140616 | Sechskantschraube | 5 | Technische Spezifikation:Kastenwagen[VAN] |
| 9 | D9622130705 | Schelle | 11 | Technische Spezifikation:Kastenwagen[VAN] |
| 10 | B007411 | R.Vorderradbremseleitung | 1 | Technische Spezifikation:Kastenwagen[VAN] |
| 11 | B006197 | Bremseleitung vorne li | 1 | Technische Spezifikation:Kastenwagen[VAN] |
| 12 | 261332 | Schraube | 5 | Technische Spezifikation:Kastenwagen[VAN] |
| 13 | B007247 | Vorderradbremseleitung | 2 | Technische Spezifikation:Kastenwagen[VAN] |
| 14 | D9165160610 | Flanschschraube | 2 | Technische Spezifikation:Kastenwagen[VAN] |
| 15 | D9004461432 | Schelle | 2 | Technische Spezifikation:Kastenwagen[VAN] |
| 16 | D9004540022 | Puffer | 2 | Technische Spezifikation:Kastenwagen[VAN] |
| 17 | B005042 | Schelle | 2 | Technische Spezifikation:Kastenwagen[VAN] |
| 18 | B005041 | Schelle | 1 | Technische Spezifikation:Kastenwagen[VAN] |
| 19 | D9004461364 | Schelle | 1 | Technische Spezifikation:Kastenwagen[VAN] |
| 20 | D9004464629 | Sperrfeder Leitungen | 1 | Technische Spezifikation:Kastenwagen[VAN] |
| 20 | B007289 | Sperrfeder Leitungen | 1 | Technische Spezifikation:Kastenwagen[VAN] |
| 21 | B000544 | Bremseleitung HECU-ABS/flex. Leitung vorne links | 1 | Technische Spezifikation:Kastenwagen[VAN] |
| 21 | B007216 | Bremseleitung HECU-ABS/flex. Leitung vorne links | 1 | Technische Spezifikation:Kastenwagen[VAN] |
| 22 | B000545 | Bremseleitung HECU-ABS/flex. Leitung hinten links | 1 | Technische Spezifikation:Kastenwagen[VAN] |
| 22 | B007288 | Bremseleitung HECU-ABS/flex. Leitung hinten links | 1 | Technische Spezifikation:Kastenwagen[VAN] |
| 23 | B000910 | Bügel unten | 1 | Technische Spezifikation:Kastenwagen[VAN] |
| 24 | B000911 | Schutz | 1 | Technische Spezifikation:Kastenwagen[VAN] |
| 25 | D9165140612 | Sechskantschraube | 3 | Technische Spezifikation:Kastenwagen[VAN] |

| | |
|---------------------|------------------------------|
| Einheit | Bremsanlage - Bowdenzüge |
| Code | 05.02 |
| Beschreibung | Bremschläuchen - Bremszangen |
| Inspektion | 1 |



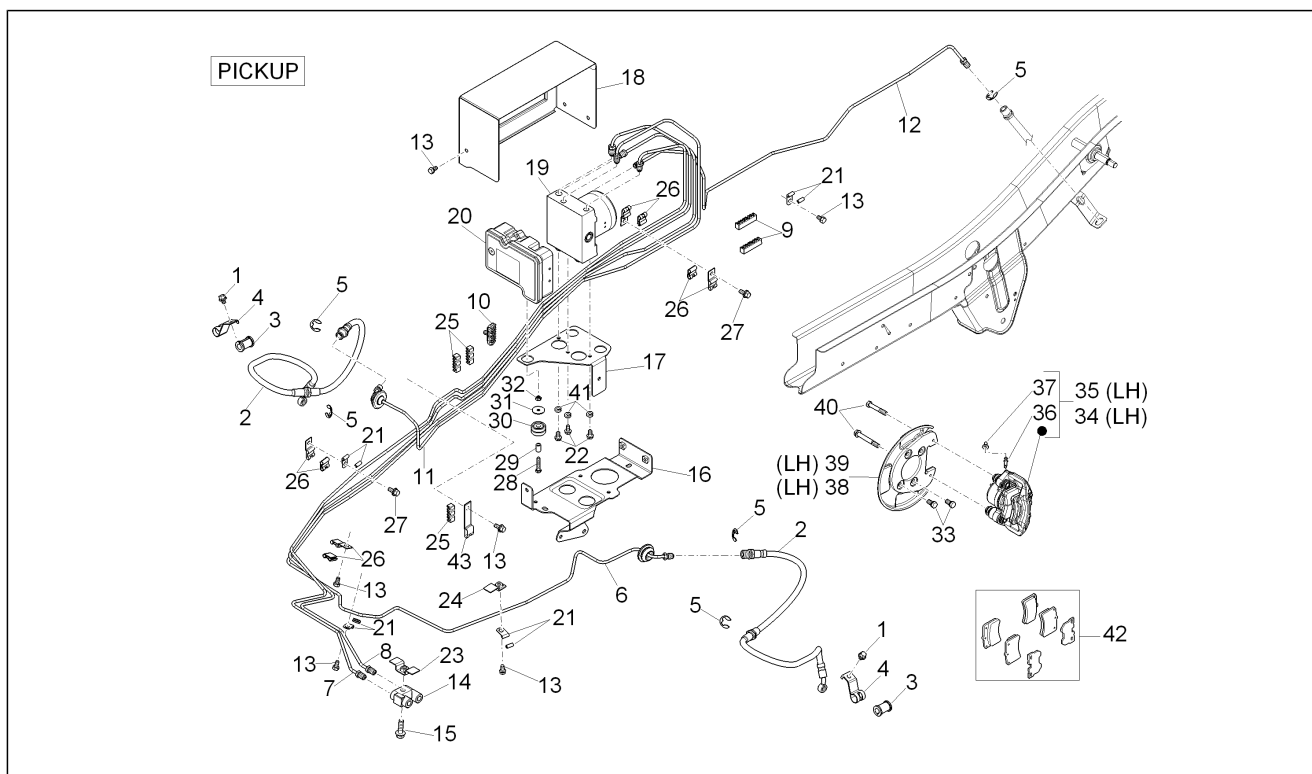
| Pos. | Code | Beschreibung | Menge | Varianten |
|------|---------------|---------------------------------|-------|---|
| 26 | B000909 | Modulator Bügel oberen | 1 | Technische Spezifikation:Kastenwagen[VAN] |
| 27 | 030052 | Schraube | 3 | Technische Spezifikation:Kastenwagen[VAN] |
| 28 | 624456 | Distanzscheibe | 3 | Technische Spezifikation:Kastenwagen[VAN] |
| 29 | 016406 | Federring 6,4x11,8x1 | 3 | Technische Spezifikation:Kastenwagen[VAN] |
| 30 | 016667 | Unterlegscheibe | 3 | Technische Spezifikation:Kastenwagen[VAN] |
| 31 | D9004480596 | Gummi | 3 | Technische Spezifikation:Kastenwagen[VAN] |
| 32 | 031086 | Schraube M6x12 | 3 | Technische Spezifikation:Kastenwagen[VAN] |
| 33 | 006976 | Sprengscheibe 12x6,4x0,5 | 3 | Technische Spezifikation:Kastenwagen[VAN] |
| 34 | B006070 | Kit ABS-Modulator | 1 | Technische Spezifikation:Kastenwagen[VAN] |
| 35 | B006071 | Kit ABS-Steuergerät | 1 | Technische Spezifikation:Kastenwagen[VAN] |
| 36 | D9161160816 | Flanschschraube | 2 | Technische Spezifikation:Kastenwagen[VAN] |
| 37 | D9004119494 | Flanschschraube | 8 | Technische Spezifikation:Kastenwagen[VAN] |
| 38 | 658278 | Vorderradbremzange r. | 1 | Technische Spezifikation:Kastenwagen[VAN] |
| 39 | 658279 | Vorderradbremzange l. | 1 | Technische Spezifikation:Kastenwagen[VAN] |
| 40 | 837145 | Schraube | 1 | Technische Spezifikation:Kastenwagen[VAN] |
| 41 | 837144 | Verschluß entlüfter | 1 | Technische Spezifikation:Kastenwagen[VAN] |
| 42 | 4770387Z01000 | Staubschuttscheibe vorne rechts | 1 | Technische Spezifikation:Kastenwagen[VAN] |
| 43 | 4770487Z01000 | Staubschuttring vorne links | 1 | Technische Spezifikation:Kastenwagen[VAN] |
| 44 | 9004101534000 | Schraubbolzen | 2 | Technische Spezifikation:Kastenwagen[VAN] |
| 45 | 837146 | Bremsklötze | 1 | Technische Spezifikation:Kastenwagen[VAN] |
| 46 | B007289 | Sperrfeder Leitungen | 2 | Technische Spezifikation:Kastenwagen[VAN] |
| 47 | B007412 | Schelle Befestig. | 1 | Technische Spezifikation:Kastenwagen[VAN] |
| 48 | B007220 | Schelle | 3 | Technische Spezifikation:Kastenwagen[VAN] |

| | |
|---------------------|---------------------------------|
| Einheit | Bremsanlage - Bowdenzüge |
| Code | 05.03 |
| Beschreibung | Bremschläuchen - Bremszangen II |
| Inspektion | 1 |



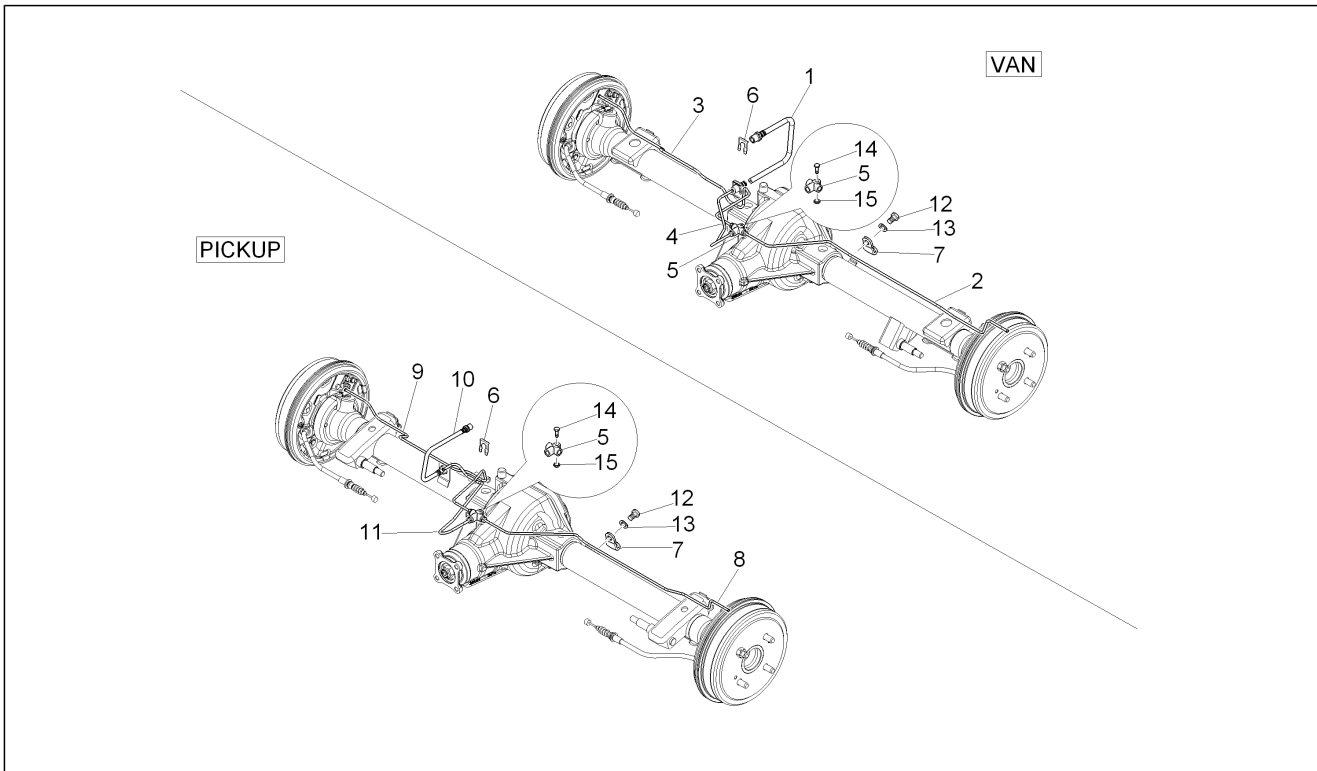
| Pos. | Code | Beschreibung | Menge | Varianten |
|------|---------------|-------------------------|-------|---|
| 1 | D9165160610 | Flanschschraube | 2 | Technische Spezifikation: Alle Pick-up-Versionen[PICKUP] |
| 2 | B007247 | Vorderradbrembleitung | 2 | Technische Spezifikation: Alle Pick-up-Versionen[PICKUP] |
| 3 | D9004540022 | Puffer | 2 | Technische Spezifikation: Alle Pick-up-Versionen[PICKUP] |
| 4 | D9004461432 | Schelle | 2 | Technische Spezifikation: Alle Pick-up-Versionen[PICKUP] |
| 5 | 261332 | Schraube | 5 | Technische Spezifikation: Alle Pick-up-Versionen[PICKUP] |
| 6 | B007408 | Brembleitung vorne li | 1 | Technische Spezifikation: Alle Pick-up-Versionen[PICKUP] |
| 7 | B007405 | Hinterradbrembleitung | 1 | Technische Spezifikation: Alle Pick-up-Versionen[PICKUP] |
| 8 | B007406 | Vorderradbrembleitung | 1 | Technische Spezifikation: Alle Pick-up-Versionen[PICKUP] |
| 9 | B005360 | Sperrfeder Leitungen | 2 | Technische Spezifikation: Alle Pick-up-Versionen[PICKUP] |
| 10 | B005353 | Schelle | 1 | Technische Spezifikation: Alle Pick-up-Versionen[PICKUP] |
| 11 | B007407 | R.Vorderradbrembleitung | 1 | Technische Spezifikation: Alle Pick-up-Versionen[PICKUP] |
| 12 | B000534 | Hinterradbrembleitung | 1 | Technische Spezifikation: Alle Pick-up-Versionen[PICKUP] |
| 13 | 9161160612000 | Schraubbolzen | 8 | Technische Spezifikation: Alle Pick-up-Versionen[PICKUP] |
| 14 | B000527 | 4-Wege-Anschluss | 1 | Technische Spezifikation: Alle Pick-up-Versionen[PICKUP] |
| 15 | D9165160830 | Flanschschraube | 1 | Technische Spezifikation: Alle Pick-up-Versionen[PICKUP] |
| 16 | B000901 | Bügel unten | 1 | Technische Spezifikation: Alle Pick-up-Versionen[PICKUP] |
| 17 | B000902 | Haltebügel | 1 | Technische Spezifikation: Alle Pick-up-Versionen[PICKUP] |
| 18 | B000903 | Schutz | 1 | Technische Spezifikation: Alle Pick-up-Versionen[PICKUP] |
| 19 | B006070 | Kit ABS-Modulator | 1 | Technische Spezifikation: Alle Pick-up-Versionen[PICKUP] |
| 20 | B006071 | Kit ABS-Steuergerät | 1 | Technische Spezifikation: Alle Pick-up-Versionen[PICKUP] |
| 21 | D9622130705 | Schelle | 5 | Technische Spezifikation: Alle Pick-up-Versionen[PICKUP] |
| 22 | 031086 | Schraube M6x12 | 3 | Technische Spezifikation: Alle Pick-up-Versionen[PICKUP] |
| 23 | D5515287Z01 | Haltebügel | 1 | Technische Spezifikation: Alle Pick-up-Versionen[PICKUP] |
| 24 | 4738287Z01000 | Haltebügel | 1 | Technische Spezifikation: Alle Pick-up-Versionen[PICKUP] |
| 25 | B007220 | Schelle | 3 | Technische Spezifikation: Kastenwagen[VAN] |
| 26 | D9004461468 | Schelle | 6 | Technische Spezifikation: Alle Pick-up-Versionen[PICKUP] |
| 27 | D9165140616 | Sechskantschraube | 3 | Technische Spezifikation: Alle Pick-up-Versionen[PICKUP] |
| 28 | 030052 | Schraube | 3 | Technische Spezifikation: Alle Pick-up-Versionen[PICKUP] |

| | |
|---------------------|---------------------------------|
| Einheit | Bremsanlage - Bowdenzüge |
| Code | 05.03 |
| Beschreibung | Bremschläuchen - Bremszangen II |
| Inspektion | 1 |



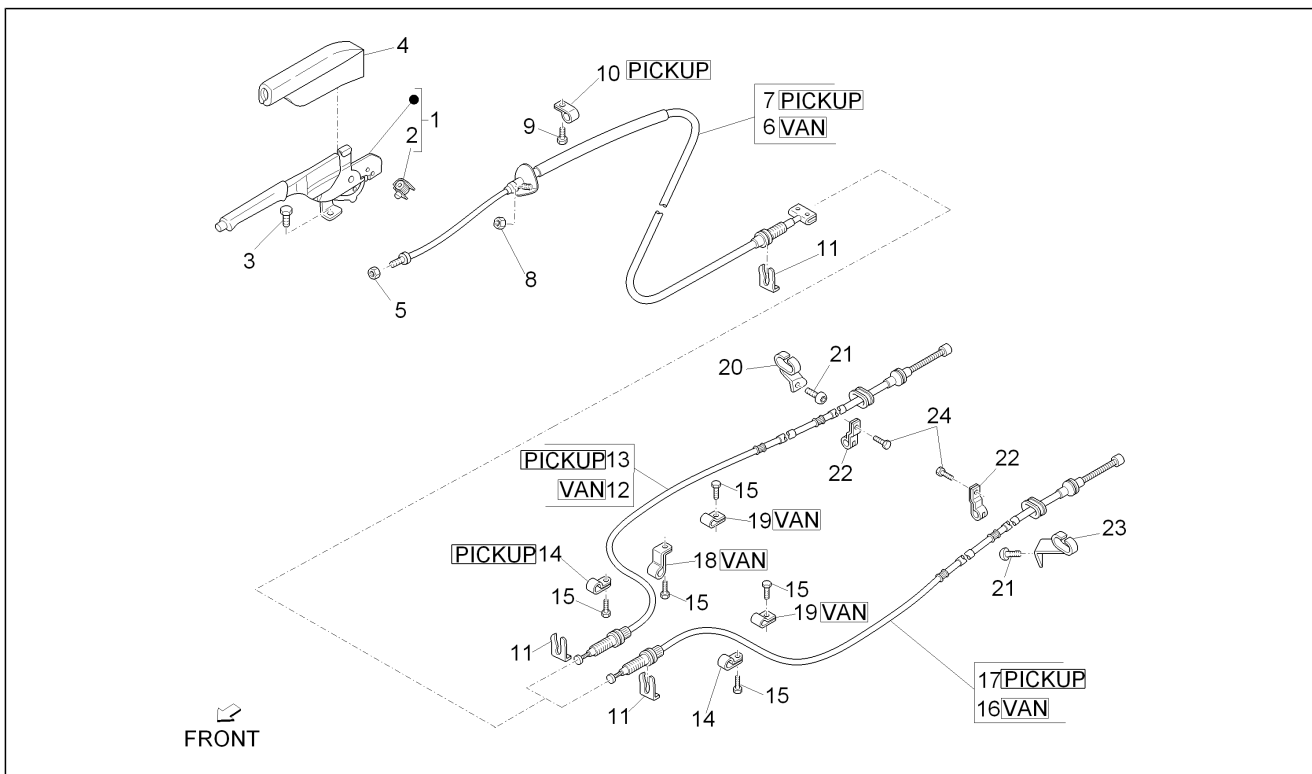
| Pos. | Code | Beschreibung | Menge | Varianten |
|------|---------------|---------------------------------|-------|---|
| 29 | 624456 | Distanzscheibe | 3 | Technische Spezifikation: Alle Pick-up-Versionen[PICKUP] |
| 30 | D9004480596 | Gummi | 3 | Technische Spezifikation: Alle Pick-up-Versionen[PICKUP] |
| 31 | 016667 | Unterlegscheibe | 3 | Technische Spezifikation: Alle Pick-up-Versionen[PICKUP] |
| 32 | 709116 | Mutter | 3 | Technische Spezifikation: Alle Pick-up-Versionen[PICKUP] |
| 33 | D9004119494 | Flanschschraube | 8 | Technische Spezifikation: Alle Pick-up-Versionen[PICKUP] |
| 34 | 658278 | Vorderradbremzange r. | 1 | Technische Spezifikation: Alle Pick-up-Versionen[PICKUP] |
| 35 | 658279 | Vorderradbremzange l. | 1 | Technische Spezifikation: Alle Pick-up-Versionen[PICKUP] |
| 36 | 837145 | Schraube | 1 | Technische Spezifikation: Alle Pick-up-Versionen[PICKUP] |
| 37 | 837144 | Verschluß entlüfter | 1 | Technische Spezifikation: Alle Pick-up-Versionen[PICKUP] |
| 38 | 4770387Z01000 | Staubschuttscheibe vorne rechts | 1 | Technische Spezifikation: Alle Pick-up-Versionen[PICKUP] |
| 39 | 4770487Z01000 | Staubschuttring vorne links | 1 | Technische Spezifikation: Alle Pick-up-Versionen[PICKUP] |
| 40 | 9004101534000 | Schraubbolzen | 2 | Technische Spezifikation: Alle Pick-up-Versionen[PICKUP] |
| 41 | 006976 | Sprengscheibe 12x6,4x0,5 | 3 | Technische Spezifikation: Alle Pick-up-Versionen[PICKUP] |
| 42 | 837146 | Bremsklötze | 1 | Technische Spezifikation: Alle Pick-up-Versionen[PICKUP] |
| 43 | B007412 | Schelle Befestig. | 1 | Technische Spezifikation: Kastenwagen[VAN] |

| | |
|---------------------|--------------------------------|
| Einheit | Bremsanlage - Bowdenzüge |
| Code | 05.04 |
| Beschreibung | Bremsleitungen Hinterradbremse |
| Inspektion | 1 |



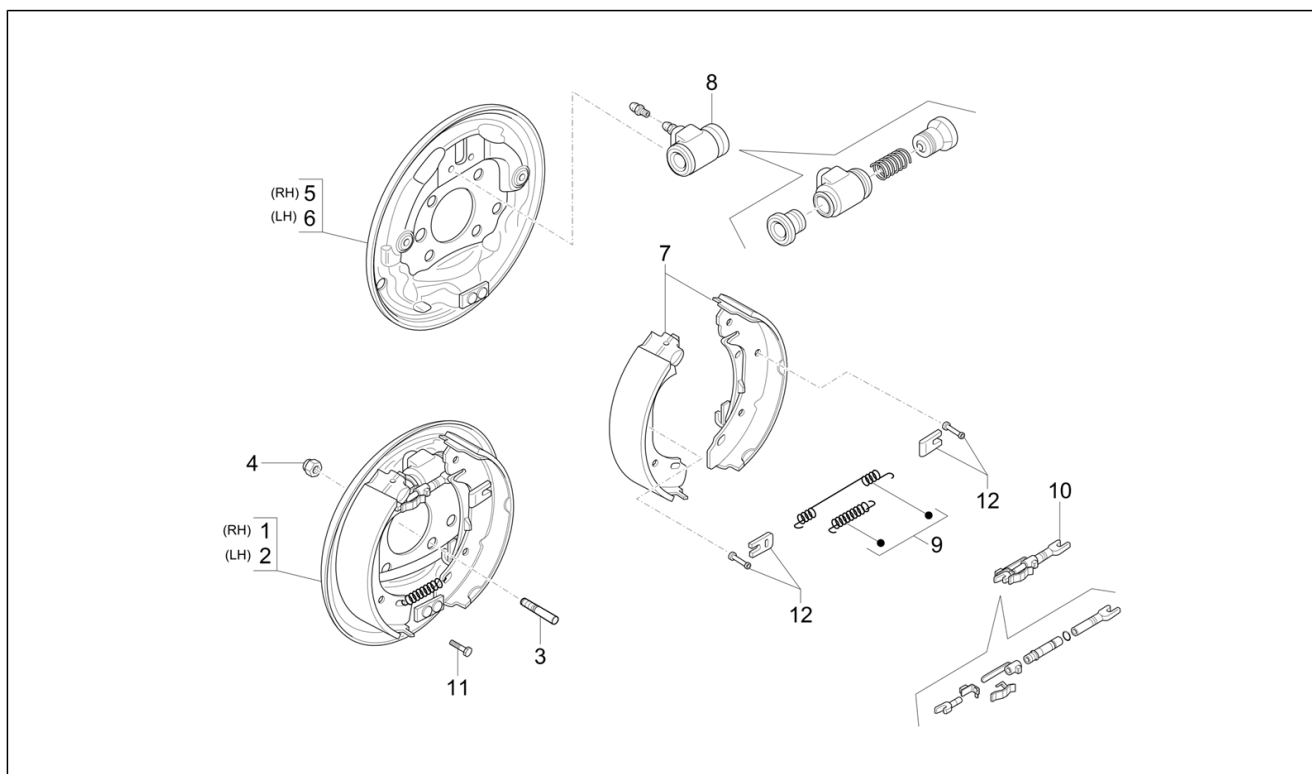
| Pos. | Code | Beschreibung | Menge | Varianten |
|------|---------------|------------------------------|-------|---|
| 1 | 9004922167000 | Hintere flexible leitung | 1 | Technische Spezifikation: Kastenwagen[VAN] |
| 2 | 837226 | Bremsleitung hinten li | 1 | Technische Spezifikation: Kastenwagen[VAN] |
| 3 | 837227 | Bremsleitung hinten re | 1 | Technische Spezifikation: Kastenwagen[VAN] |
| 4 | 837164 | Bremsleitung Hinterradbremse | 1 | Technische Spezifikation: Kastenwagen[VAN] |
| 5 | 837169 | Anschluss | 1 | |
| 6 | 4737187Z02000 | Rohrbefestigung | 1 | |
| 7 | 4737187Z01000 | Schelle | 4 | |
| 8 | 837215 | Bremsleitung hinten li | 1 | Technische Spezifikation: Alle Pick-up-Versionen[PICKUP] |
| 9 | 837216 | Bremsleitung hinten re | 1 | Technische Spezifikation: Alle Pick-up-Versionen[PICKUP] |
| 10 | 264147 | Hintere flexible leitung | 1 | Technische Spezifikation: Alle Pick-up-Versionen[PICKUP] |
| 11 | 837165 | Bremsleitung Hinterradbremse | 1 | Technische Spezifikation: Alle Pick-up-Versionen[PICKUP] |
| 12 | 837213 | Sechskantschraube | 4 | |
| 13 | 837214 | Flachscheibe | 4 | |
| 14 | 837230 | TC Schraube | 4 | |
| 15 | 837217 | Flachscheibe | 4 | |

| | |
|---------------------|--------------------------|
| Einheit | Bremsanlage - Bowdenzüge |
| Code | 05.06 |
| Beschreibung | Feststellbremse |
| Inspektion | 1 |



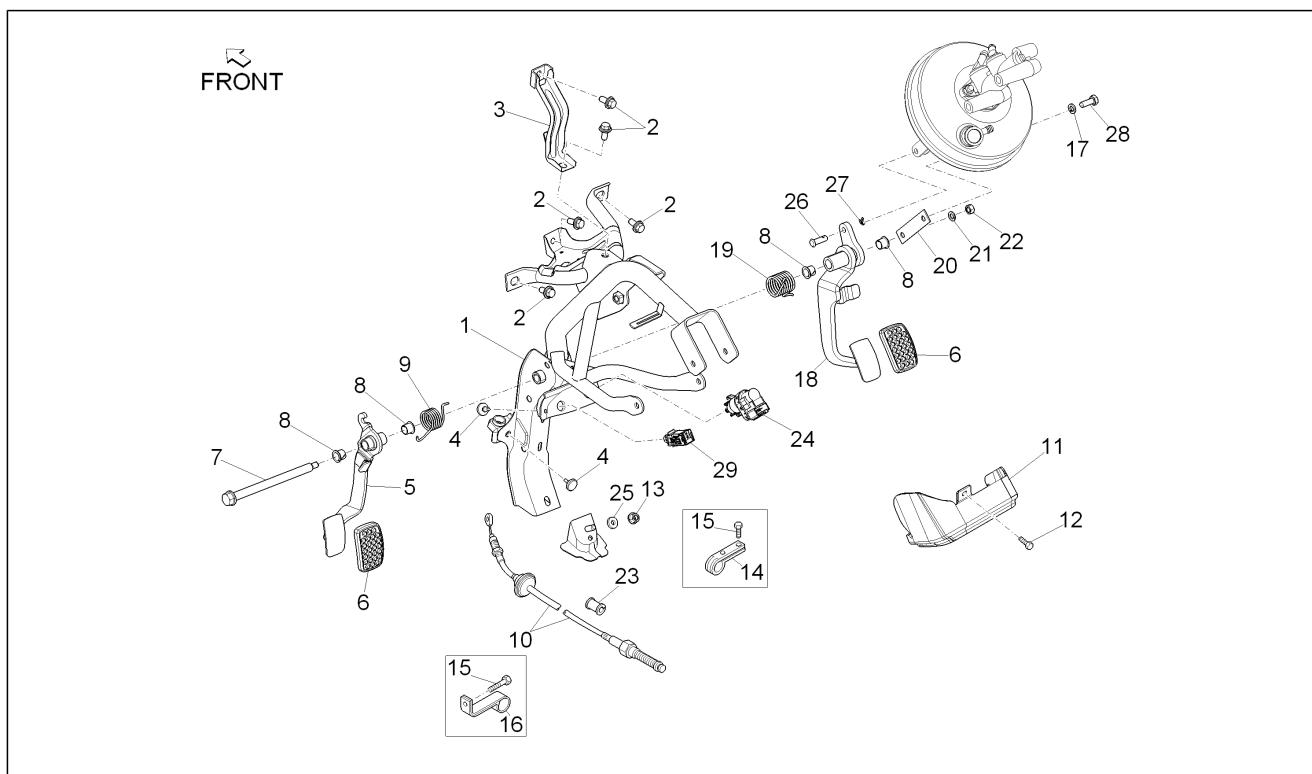
| Pos. | Code | Beschreibung | Menge | Varianten |
|------|---------------|-------------------------------------|-------|---|
| 1 | 1E002476 | Feststellbremsenhebel | 1 | |
| 2 | 651928 | Schalter | 1 | |
| 3 | D9165160822 | Sechskantschraube | 2 | |
| 4 | 615091 | Staubschutz | 1 | |
| 5 | D9411040600 | Mutter | 2 | |
| 6 | 4641087Z06000 | Feststellbremsenzug | 1 | Technische Spezifikation: Kastenwagen[VAN] |
| 7 | B000875 | Feststellbremsenzug | 1 | Technische Spezifikation: Alle Pick-up-Versionen[PICKUP] |
| 8 | 261322 | Mutter | 1 | |
| 9 | 9161160612000 | Schraubbolzen | 1 | |
| 10 | B005030 | Schelle | 1 | Technische Spezifikation: Alle Pick-up-Versionen[PICKUP] |
| 11 | 9004465038000 | Schelle | 3 | |
| 12 | 837228 | Bremsseil hintere feststellbremse d | 1 | Technische Spezifikation: Kastenwagen[VAN] |
| 13 | 837222 | Bremsseil hintere feststellbremse d | 1 | Technische Spezifikation: Alle Pick-up-Versionen[PICKUP] |
| 14 | D9004461193 | Schelle | 2 | Technische Spezifikation: Alle Pick-up-Versionen[PICKUP] |
| 15 | D9161160614 | Flanschschraube | 3 | |
| 16 | 837229 | Bremsseil hintere feststellbremse s | 1 | Technische Spezifikation: Kastenwagen[VAN] |
| 17 | 837223 | Bremsseil hintere feststellbremse s | 1 | Technische Spezifikation: Alle Pick-up-Versionen[PICKUP] |
| 18 | D9004461439 | Schelle | 1 | Technische Spezifikation: Kastenwagen[VAN] |
| 19 | B005030 | Schelle | 2 | Technische Spezifikation: Kastenwagen[VAN] |
| 20 | B005350 | Kabelhalterung hinten rechts | 1 | |
| 21 | D9338116008 | TBEI Schraube | 2 | |
| 22 | B005352 | Schelle | 2 | |
| 23 | B005351 | Kabelhalterung hinten links | 1 | |
| 24 | D9165160618 | Flanschschraube | 2 | |

| | |
|---------------------|--------------------------|
| Einheit | Bremsanlage - Bowdenzüge |
| Code | 05.07 |
| Beschreibung | Bremsbackensätzen |
| Inspektion | 1 |



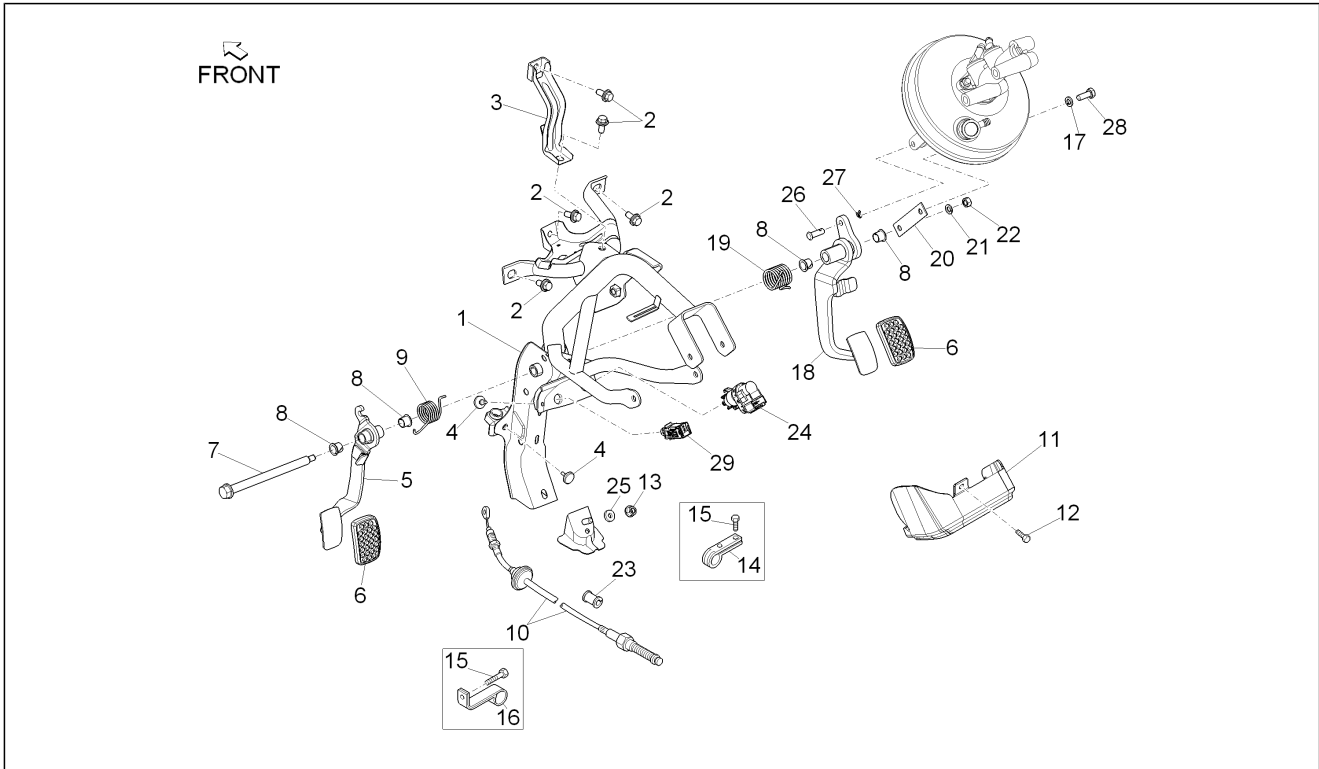
| Pos. | Code | Beschreibung | Menge | Varianten |
|------|---------------|----------------------------|-------|-----------|
| 1 | 658992 | Hinterradbremse rechts | 1 | |
| 2 | 658991 | Hinterradbremse links | 1 | |
| 3 | 837160 | Stiftschraube | 8 | |
| 4 | 837138 | Mutter | 8 | |
| 5 | 837183 | L.Bremszangenhalter | 1 | |
| 6 | 837184 | R.Bremszangenhalter | 1 | |
| 7 | 837185 | Bremsbackensatz, hinterrad | 2 | |
| 8 | 837186 | Kit Bremszylinder | 2 | |
| 9 | 837182 | Satz Federn | 2 | |
| 10 | 837181 | Selbstregler set | 2 | |
| 11 | 837224 | Spezialschraube | 2 | |
| 12 | 4744687Z01000 | Federplättchen | 4 | |

| | |
|---------------------|--------------------------|
| Einheit | Bremsanlage - Bowdenzüge |
| Code | 05.08 |
| Beschreibung | Steuerpedal - Hebeln |
| Inspektion | 1 |



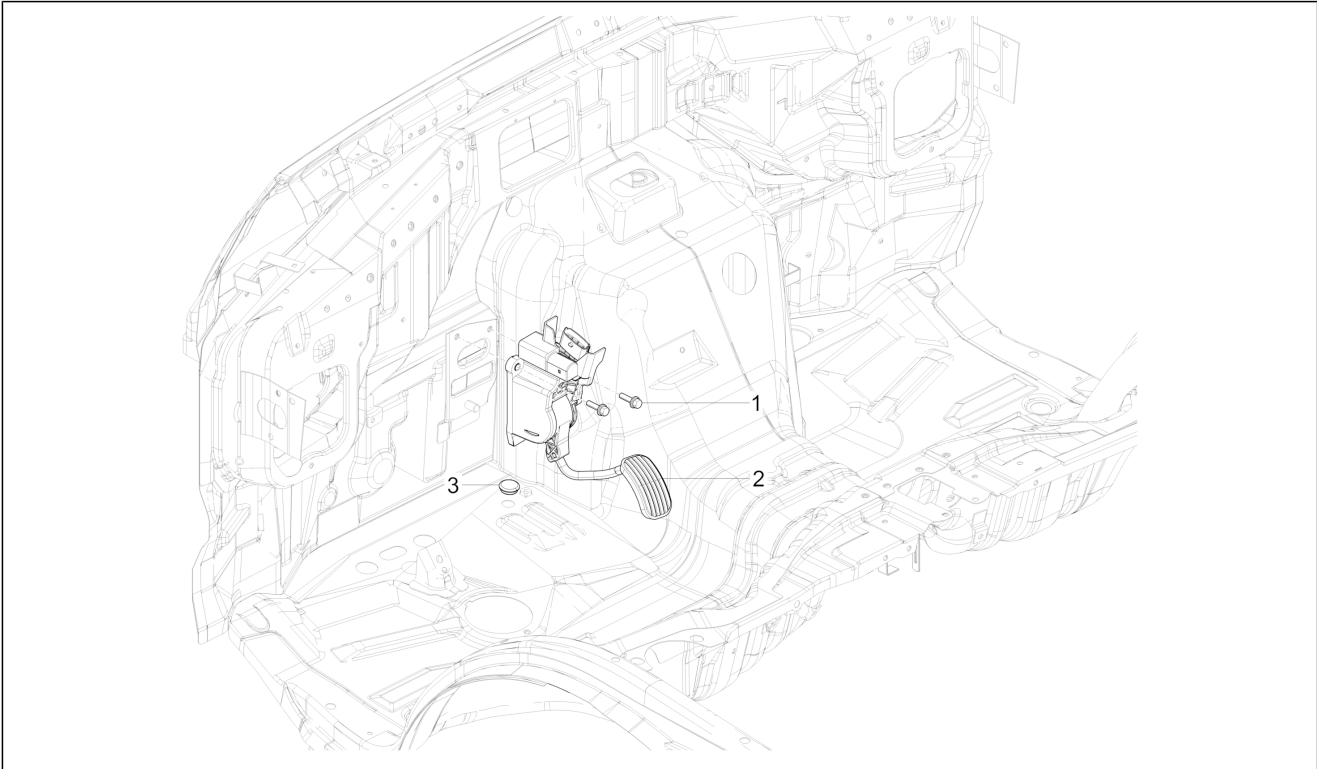
| Pos. | Code | Beschreibung | Menge | Varianten |
|------|---------------|--------------------------------|-------|-----------|
| 1 | B007924 | Halterung Pedale | 1 | |
| 1 | B023139 | Halterung Pedale | 1 | |
| 2 | D9165160820 | Sechskantschraube | 5 | |
| 3 | B000485 | Not available | 1 | |
| 4 | 9004540166000 | Anschlag kupplungspedal | 2 | |
| 5 | B004190 | Kupplungspedal | 1 | |
| 5 | B007876 | Kupplungspedal | 1 | |
| 6 | 262128 | Pedalbezug | 2 | |
| 7 | 3132487Z02000 | Welle kupplungspedal | 1 | |
| 8 | 9004386115000 | Buchse | 4 | |
| 9 | 9004508350000 | Feder Kupplungspedal | 1 | |
| 10 | CM038204 | Kupplungskabel | 1 | |
| 11 | B004412 | Reifen | 1 | |
| 12 | D9356755014 | Sechskantschraube | 1 | |
| 13 | D9004179052 | Mutter | 1 | |
| 14 | 9004462157000 | Schelle | 2 | |
| 15 | D9165140616 | Sechskantschraube | 2 | |
| 16 | D9004461423 | Schelle | 1 | |
| 17 | 016408 | Sprengscheibe 13,75x8,15x4,5 | 1 | |
| 18 | B004219 | Bremspedal | 1 | |
| 19 | 9004508351000 | Rückholfeder bremspedal | 1 | |
| 20 | 3132587Z01000 | Feststellplättchen pedalstange | 1 | |
| 21 | 016408 | Sprengscheibe 13,75x8,15x4,5 | 1 | |
| 22 | D9411040800 | Mutter | 1 | |
| 23 | D9004540022 | Puffer | 1 | |
| 24 | B000744 | Bremslichtschalter | 1 | |
| 25 | D9461410800 | Flachscheibe | 1 | |
| 26 | 9004240142000 | Hebelbolzen | 1 | |

| | |
|---------------------|--------------------------|
| Einheit | Bremsanlage - Bowdenzüge |
| Code | 05.08 |
| Beschreibung | Steuerpedal - Hebeln |
| Inspektion | 1 |



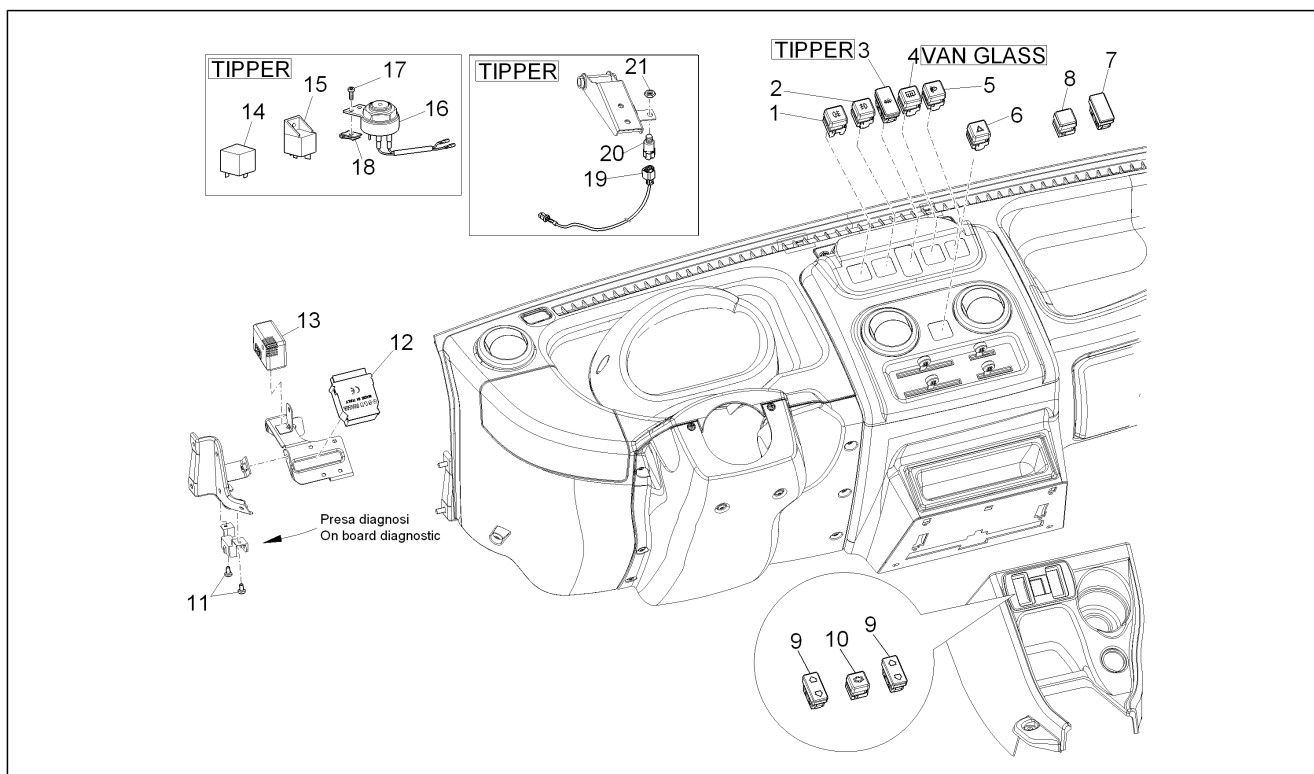
| Pos. | Code | Beschreibung | Menge | Varianten |
|------|---------|-------------------------|-------|-----------|
| 27 | 003208 | Splint | 1 | |
| 28 | 031119 | Sechskantschraube M8x22 | 1 | |
| 29 | B000745 | Kupplungsschalter | 1 | |

| | |
|---------------------|--------------------------|
| Einheit | Bremsanlage - Bowdenzüge |
| Code | 05.09 |
| Beschreibung | Gaspedal |
| Inspektion | 1 |



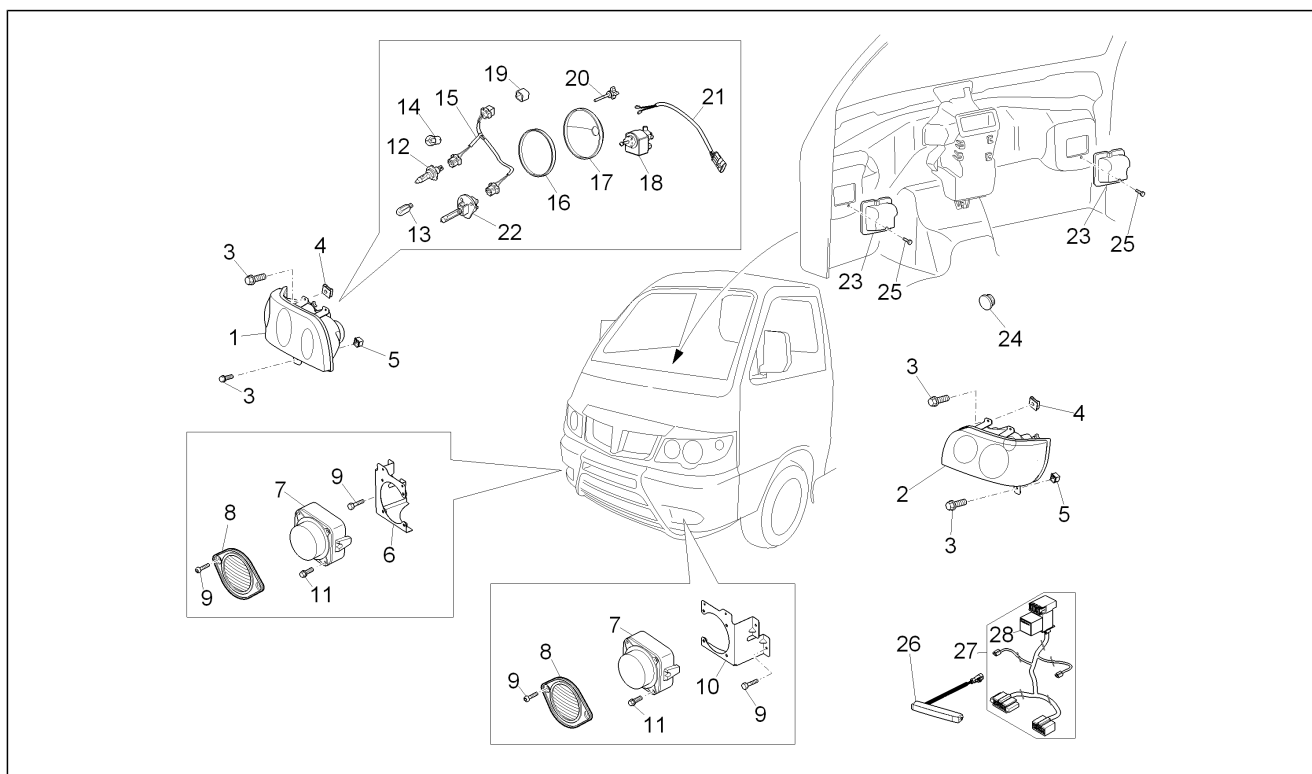
| Pos. | Code | Beschreibung | Menge | Varianten |
|------|-------------|-------------------|-------|-----------|
| 1 | B004418 | Gaspedal | 1 | |
| 2 | D9165140620 | Flanschschraube | 2 | |
| 3 | D9004871033 | Verschlusschraube | 1 | |

| | |
|---------------------|---|
| Einheit | Elektrische Anlage |
| Code | 06.01 |
| Beschreibung | Wechselschalter - Umschalter - Druckschalter - Schalter |
| Inspektion | 1 |



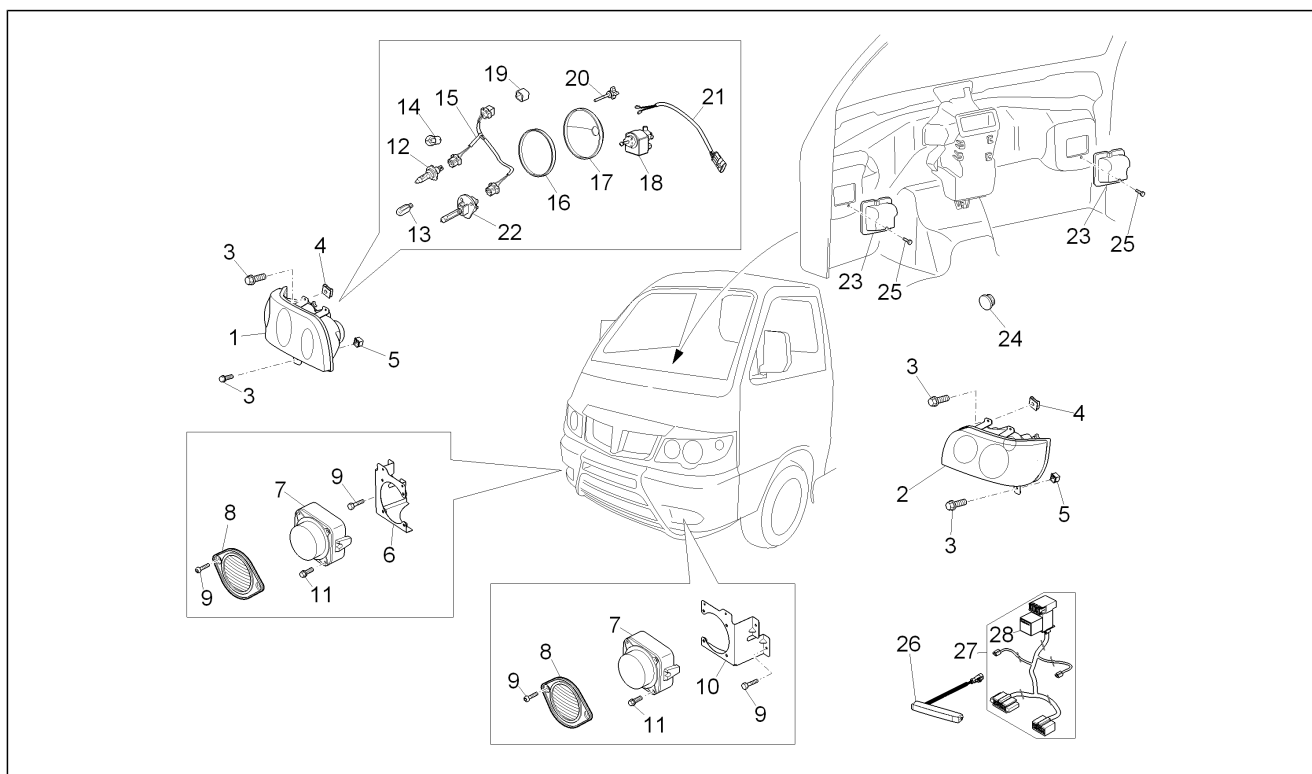
| Pos. | Code | Beschreibung | Menge | Varianten |
|------|----------|------------------------------|-------|---|
| 1 | B004268 | Schalter Nebelschlussleuchte | 1 | |
| 2 | B004269 | Nebelschlussleuchteschalter | 1 | |
| 3 | B004274 | Taste für Kipper | 1 | Technische Spezifikation: Version mit kippbarer Ladefläche[TIPPER] |
| 4 | B004272 | Schalter abtuananlage | 1 | Technische Spezifikation: Kastenwagen[VAN] |
| 5 | B004267 | Taste Scheinwerferregelung | 1 | |
| 6 | B004273 | Turn indicator switch | 1 | |
| 7 | B004723 | Rechteckiger Deckel | 3 | |
| 8 | B004278 | Quadratischer Deckel | 3 | |
| 9 | B004271 | Taste Fensterheber | 2 | |
| 10 | B004270 | Taste Klimaanlage | 1 | Technische Spezifikation: Version mit Klimaanlage[AC] |
| 11 | 018575 | Schraube M5x10 | 2 | |
| 12 | B005700 | Zeitschalter | 1 | |
| 13 | B005027 | Blinken | 1 | |
| 14 | 615392 | Blinken | 1 | Technische Spezifikation: Version mit kippbarer Ladefläche[TIPPER] |
| 15 | 58115R | Anlasser-Fernrelais 12V-80A | 1 | Technische Spezifikation: Version mit kippbarer Ladefläche[TIPPER] |
| 16 | B004817 | Akustischer Signalgeber | 1 | Technische Spezifikation: Version mit kippbarer Ladefläche[TIPPER] |
| 17 | 009000 | Schraube 2,9x13 | 2 | Technische Spezifikation: Version mit kippbarer Ladefläche[TIPPER] |
| 18 | CM017408 | Platte | 2 | Technische Spezifikation: Version mit kippbarer Ladefläche[TIPPER] |
| 19 | B005906 | Stutzen | 1 | Technische Spezifikation: Kastenwagen[VAN] |
| 20 | 214772 | Knopf stop | 1 | Technische Spezifikation: Kastenwagen[VAN] |
| 21 | 196750 | Mutter | 1 | Technische Spezifikation: Kastenwagen[VAN] |

| | |
|---------------------|--------------------------------|
| Einheit | Elektrische Anlage |
| Code | 06.02 |
| Beschreibung | Vorderleuchten - Blinkleuchten |
| Inspektion | 1 |



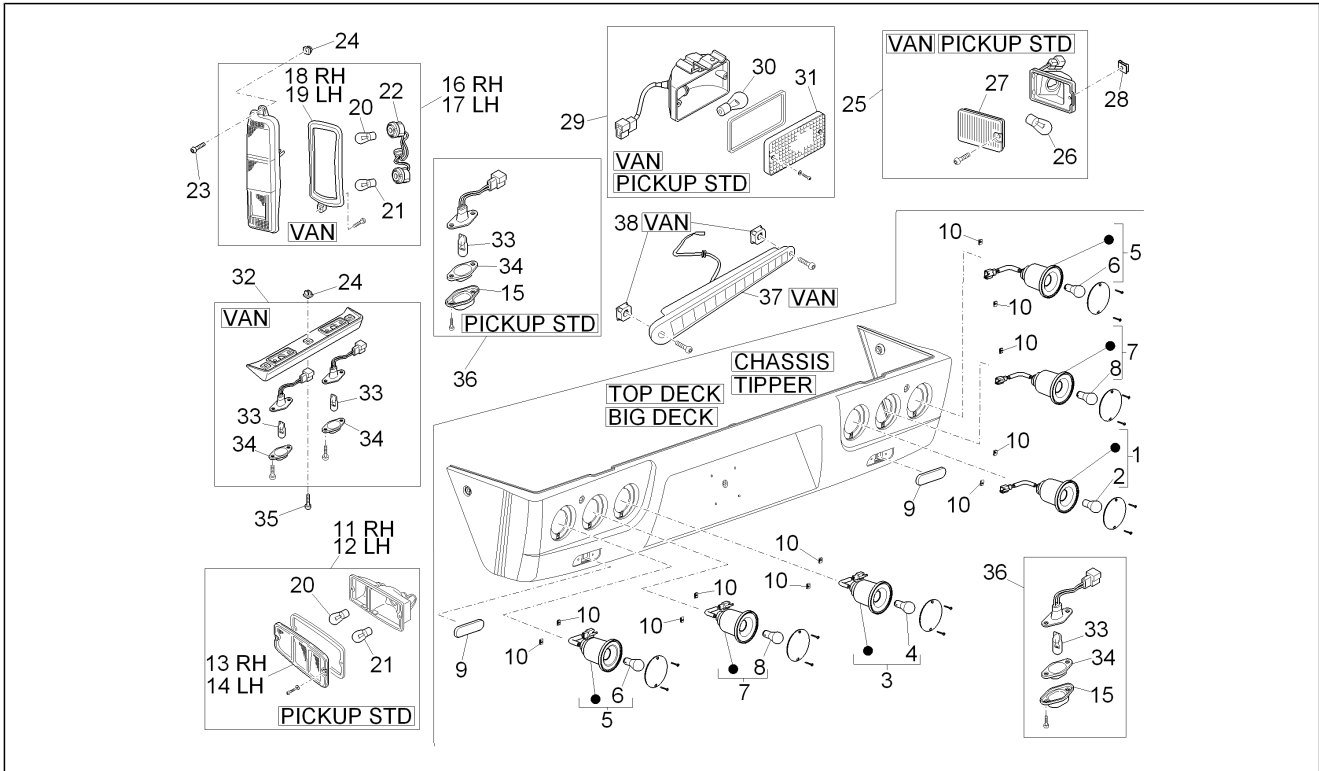
| Pos. | Code | Beschreibung | Menge | Varianten |
|------|---------------|----------------------------------|-------|--|
| 1 | 658970 | Scheinwerfer rechts | 1 | |
| 2 | 658971 | Scheinwerfer links | 1 | |
| 3 | 9004159230000 | Schraubbolzen | 6 | |
| 4 | B000979 | Deckel Inspektionsbohrung | 2 | |
| 5 | 9004159230000 | Schraubbolzen | 2 | |
| 6 | B000937 | Rechtes bügel | 1 | |
| 7 | 651886 | Nebelscheinwerfer | 2 | |
| 8 | 566568 | Schutzgrill | 2 | |
| 9 | D9356755014 | Sechskantschraube | 4 | |
| 10 | B000843 | Linkes bügel | 1 | |
| 11 | 9004159230000 | Schraubbolzen | 8 | |
| 12 | 294353 | Lampen H7 12V-55W | 2 | |
| 13 | 292022 | Lampen 12V-5W | 2 | |
| 14 | 584004 | Lampen 12V-21W (Ambra) | 2 | |
| 15 | B004809 | Verbinder | 2 | |
| 16 | B004810 | Dichtung | 2 | |
| 17 | B004811 | Verschlusschraube | 2 | |
| 18 | B004730 | Stellmotor Scheinwerfer | 2 | |
| 19 | B004807 | Verschlusschraube | 2 | |
| 20 | B004806 | Scheinwerfereinstell griff | 2 | |
| 21 | B004808 | Kabelbaum Scheinwerfer | 2 | |
| 22 | 580141 | Lampen H1 12V-55W | 2 | |
| 23 | 248419 | Federplättchen M5 | 2 | |
| 24 | 9004871138000 | Deckel 20 | 2 | |
| 25 | 566260 | Verankerungseinheit scheinwerfer | 2 | |
| 26 | 1D000776 | LED-Scheinwerfer für DRL | 1 | Technische Spezifikation: Modellversion mit Vorrichtung DRL "Daytime Running Lamp"[DRL] |

| | |
|---------------------|--------------------------------|
| Einheit | Elektrische Anlage |
| Code | 06.02 |
| Beschreibung | Vorderleuchten - Blinkleuchten |
| Inspektion | 1 |



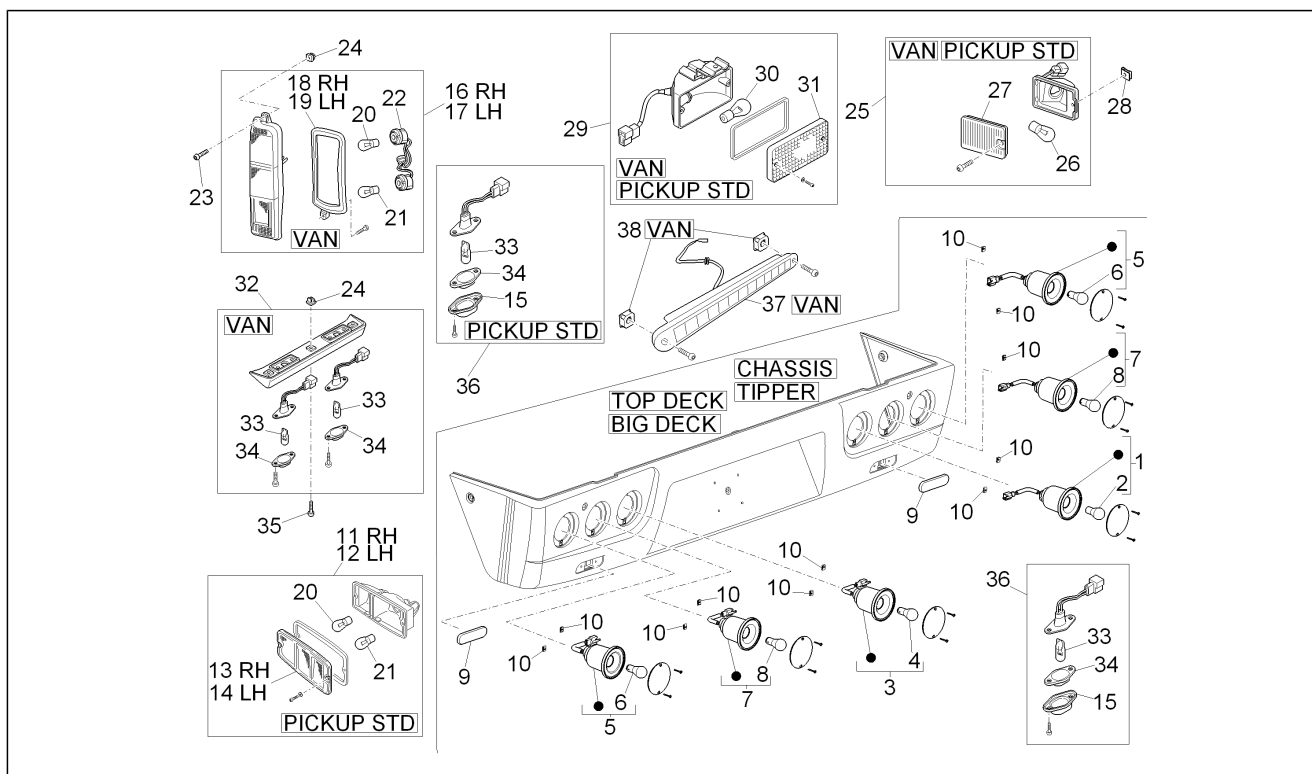
| Pos. | Code | Beschreibung | Menge | Varianten |
|------|----------|--|-------|--|
| 27 | 1D000790 | Federbügel Zubehör | 1 | Technische Spezifikation: Modellversion mit Vorrichtung DRL "Daytime Running Lamp"[DRL] |
| 28 | 643452 | Mikrorelais mit Widerstand 12V-30A/10A | 1 | Technische Spezifikation: Modellversion mit Vorrichtung DRL "Daytime Running Lamp"[DRL] |

| | |
|---------------------|--------------------------------|
| Einheit | Elektrische Anlage |
| Code | 06.03 |
| Beschreibung | Hinterleuchten - Blinkleuchten |
| Inspektion | 1 |



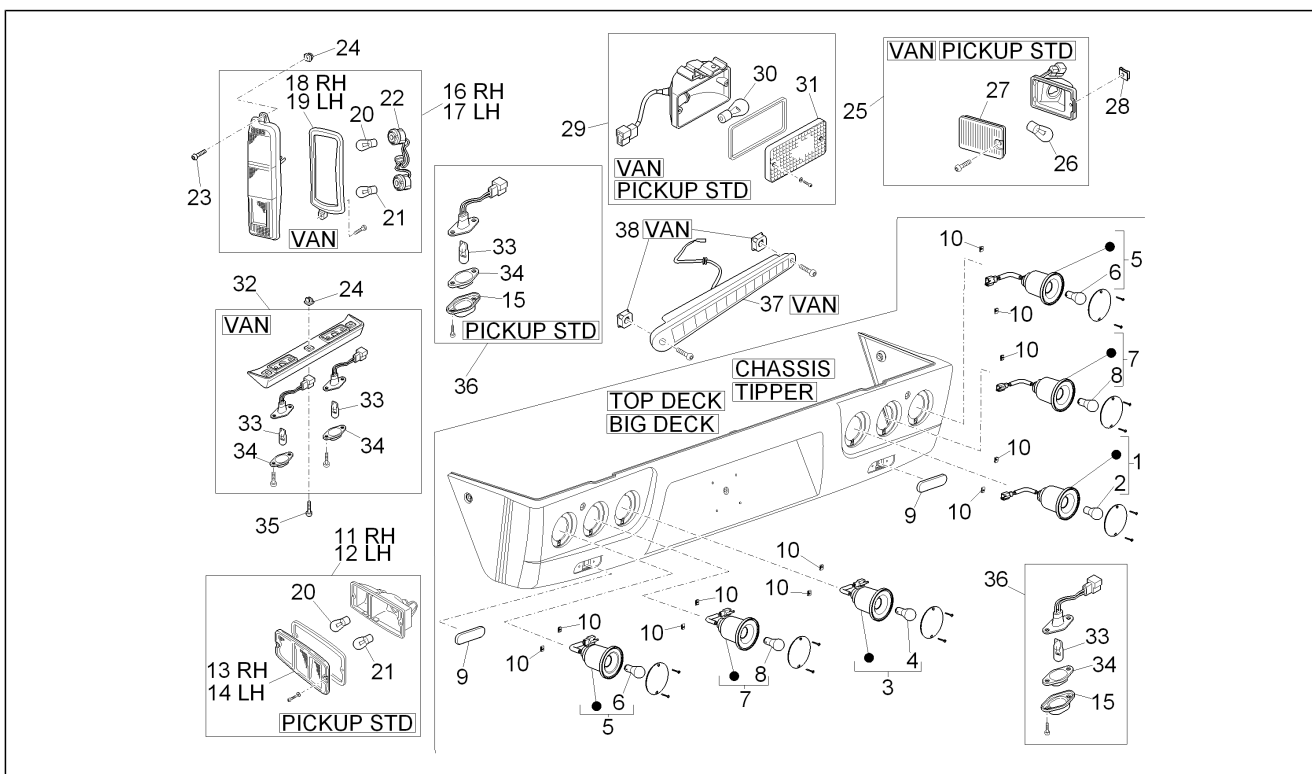
| Pos. | Code | Beschreibung | Menge | Varianten |
|------|---------|----------------------|-------|--|
| 1 | 613820 | Rückfahrcheinwerfer | 1 | Technische Spezifikation: Version ohne Ladefläche[CHASSIS] Version mit kippbarer Ladefläche[TIPPER] Version mit vergrößerter Ladefläche und Ladebordwänden aus Eisen[BIG DECK] Version mit vergrößerter Ladefläche und Ladebordwänden aus Legierung[TOP DECK] |
| 2 | 160654 | Lampen 12V-21W | 1 | Technische Spezifikation: Version ohne Ladefläche[CHASSIS] Version mit kippbarer Ladefläche[TIPPER] Version mit vergrößerter Ladefläche und Ladebordwänden aus Eisen[BIG DECK] Version mit vergrößerter Ladefläche und Ladebordwänden aus Legierung[TOP DECK] |
| 3 | B000970 | Nebellicht | 1 | Technische Spezifikation: Version ohne Ladefläche[CHASSIS] Version mit kippbarer Ladefläche[TIPPER] Version mit vergrößerter Ladefläche und Ladebordwänden aus Eisen[BIG DECK] Version mit vergrößerter Ladefläche und Ladebordwänden aus Legierung[TOP DECK] |
| 4 | B004243 | Lampen 12V-21W | 1 | Technische Spezifikation: Version ohne Ladefläche[CHASSIS] Version mit kippbarer Ladefläche[TIPPER] Version mit vergrößerter Ladefläche und Ladebordwänden aus Eisen[BIG DECK] Version mit vergrößerter Ladefläche und Ladebordwänden aus Legierung[TOP DECK] |
| 5 | B000968 | Rücklicht/bremslicht | 2 | Technische Spezifikation: Version ohne Ladefläche[CHASSIS] Version mit kippbarer Ladefläche[TIPPER] Version mit vergrößerter Ladefläche und Ladebordwänden aus Eisen[BIG DECK] Version mit vergrößerter Ladefläche und Ladebordwänden aus Legierung[TOP DECK] |
| 6 | 640753 | Lampen 12V-5/21W | 1 | Technische Spezifikation: Version ohne Ladefläche[CHASSIS] Version mit kippbarer Ladefläche[TIPPER] Version mit vergrößerter Ladefläche und Ladebordwänden aus Eisen[BIG DECK] Version mit vergrößerter Ladefläche und Ladebordwänden aus Legierung[TOP DECK] |

| | |
|---------------------|--------------------------------|
| Einheit | Elektrische Anlage |
| Code | 06.03 |
| Beschreibung | Hinterleuchten - Blinkleuchten |
| Inspektion | 1 |



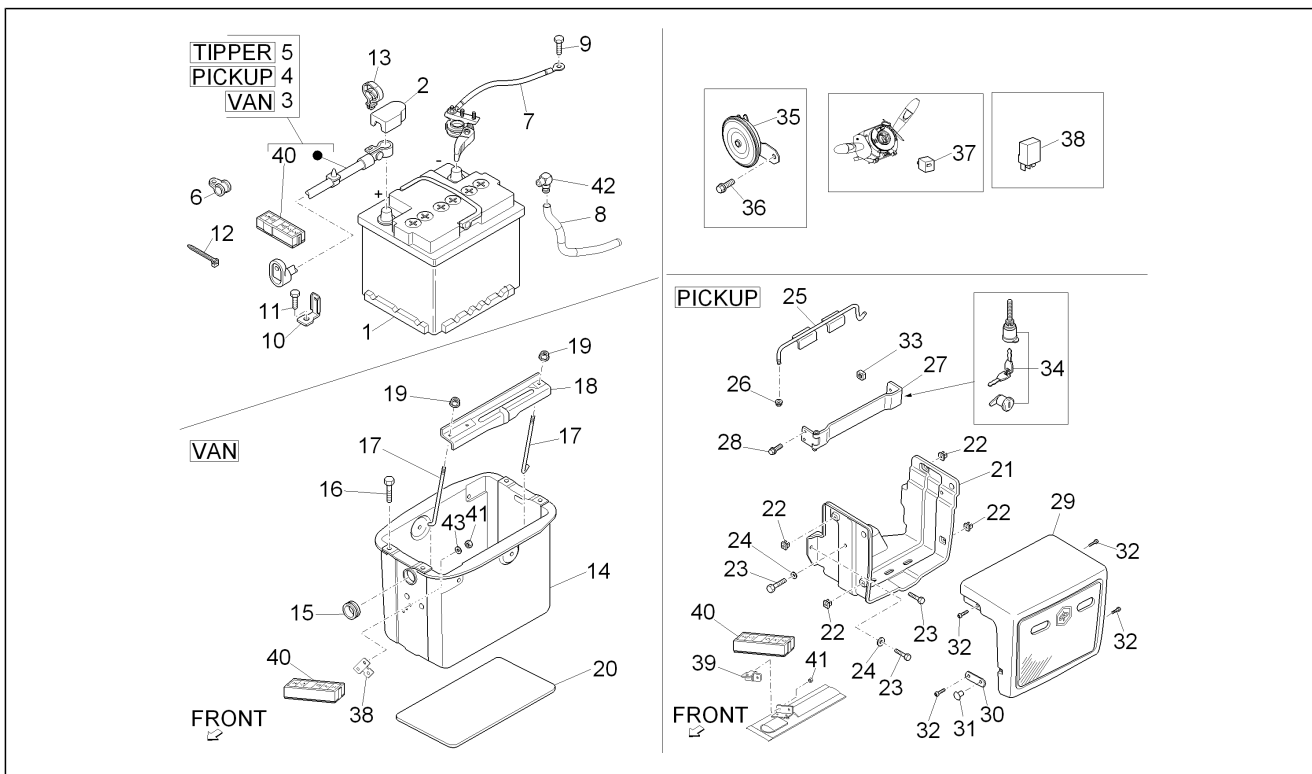
| Pos. | Code | Beschreibung | Menge | Varianten |
|------|---------------|--------------------------------|-------|--|
| 7 | B000969 | Rücklicht - Blinker | 2 | Technische Spezifikation: Version ohne Ladefläche[CHASSIS] Version mit kippbarer Ladefläche[TIPPER] Version mit vergrößerter Ladefläche und Ladebordwänden aus Eisen[BIG DECK] Version mit vergrößerter Ladefläche und Ladebordwänden aus Legierung[TOP DECK] |
| 8 | 584004 | Lampen 12V-21W (Ambra) | 1 | Technische Spezifikation: Version ohne Ladefläche[CHASSIS] Version mit kippbarer Ladefläche[TIPPER] Version mit vergrößerter Ladefläche und Ladebordwänden aus Eisen[BIG DECK] Version mit vergrößerter Ladefläche und Ladebordwänden aus Legierung[TOP DECK] |
| 9 | 582058 | Rückstrahler hinten | 2 | Technische Spezifikation: Version ohne Ladefläche[CHASSIS] Version mit kippbarer Ladefläche[TIPPER] Version mit vergrößerter Ladefläche und Ladebordwänden aus Eisen[BIG DECK] Version mit vergrößerter Ladefläche und Ladebordwänden aus Legierung[TOP DECK] |
| 10 | CM017401 | Platte | 12 | Technische Spezifikation: Version ohne Ladefläche[CHASSIS] Version mit kippbarer Ladefläche[TIPPER] Version mit vergrößerter Ladefläche und Ladebordwänden aus Eisen[BIG DECK] Version mit vergrößerter Ladefläche und Ladebordwänden aus Legierung[TOP DECK] |
| 11 | 8155087Z01000 | Rechtes Rücklicht | 1 | Technische Spezifikation: Version mit Ladefläche und Ladebordwänden aus Eisen[PICKUP STD] Rechts[RH] |
| 12 | 8156087Z01000 | Linkes rücklicht | 1 | Technische Spezifikation: Version mit Ladefläche und Ladebordwänden aus Eisen[PICKUP STD] Links[LH] |
| 13 | 8155187Z01000 | Glas rechts | 1 | Technische Spezifikation: Version mit Ladefläche und Ladebordwänden aus Eisen[PICKUP STD] Rechts[RH] |
| 14 | 8156187Z01000 | Glas links | 1 | Technische Spezifikation: Version mit Ladefläche und Ladebordwänden aus Eisen[PICKUP STD] Links[LH] |
| 15 | 8127887Z01000 | Abdeckung nummernschildöffnung | 2 | |
| 16 | 8155087Z02000 | Rechtes Rücklicht | 1 | Technische Spezifikation: Kastenwagen[VAN] Rechts[RH] |

| | |
|---------------------|--------------------------------|
| Einheit | Elektrische Anlage |
| Code | 06.03 |
| Beschreibung | Hinterleuchten - Blinkleuchten |
| Inspektion | 1 |



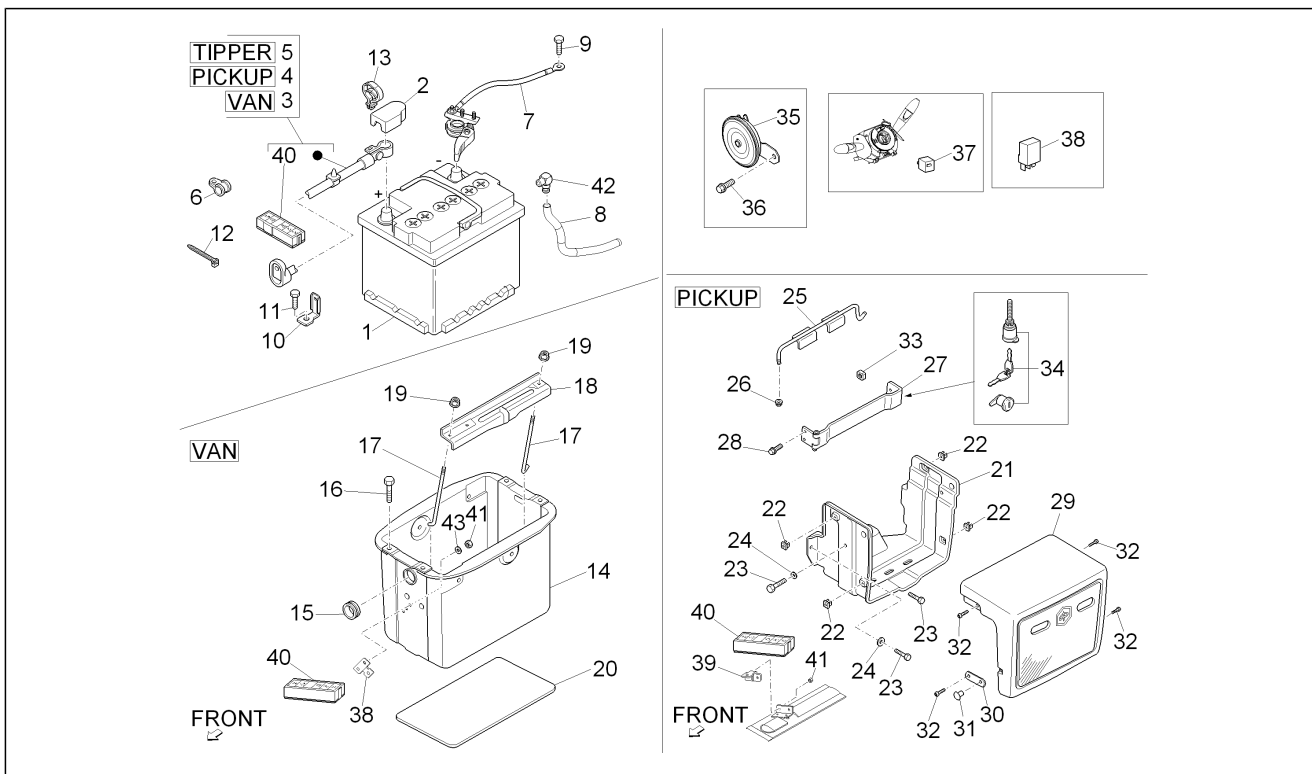
| Pos. | Code | Beschreibung | Menge | Varianten |
|------|---------------|------------------------------------|-------|---|
| 17 | 8156087Z02000 | Linkes rücklicht | 1 | Technische Spezifikation: Kastenwagen[VAN] Links[LH] |
| 18 | 8155487Z03000 | Rechte dichtung | 1 | Technische Spezifikation: Kastenwagen[VAN] Rechts[RH] |
| 19 | 8156487Z01000 | Linke dichtung | 1 | Technische Spezifikation: Kastenwagen[VAN] Links[LH] |
| 20 | 160654 | Lampen 12V-21W | 1 | |
| 21 | 129953 | Lampen 12V-21/5W | 1 | |
| 22 | 8175587Z02000 | Lampenhalter | 1 | Technische Spezifikation: Kastenwagen[VAN] |
| 23 | D9351055030 | Verschluß | 2 | |
| 24 | D9004189023 | Langloch für Schraube | 3 | |
| 25 | 8167087Z01000 | Rêckfahrscheinwerfer | 1 | Technische Spezifikation: Kastenwagen[VAN] Version mit Ladefläche und Ladebordwänden aus Eisen[PICKUP STD] |
| 26 | 160654 | Lampen 12V-21W | 1 | Technische Spezifikation: Kastenwagen[VAN] Version mit Ladefläche und Ladebordwänden aus Eisen[PICKUP STD] |
| 27 | 8167187Z01000 | Scheibe | 1 | Technische Spezifikation: Kastenwagen[VAN] Version mit Ladefläche und Ladebordwänden aus Eisen[PICKUP STD] |
| 28 | 9004183050000 | Mutter | 1 | Technische Spezifikation: Kastenwagen[VAN] Version mit Ladefläche und Ladebordwänden aus Eisen[PICKUP STD] |
| 29 | 8157087Z01000 | Nebelschlußleuchte | 1 | Technische Spezifikation: Kastenwagen[VAN] Version mit Ladefläche und Ladebordwänden aus Eisen[PICKUP STD] |
| 30 | 160654 | Lampen 12V-21W | 1 | Technische Spezifikation: Kastenwagen[VAN] Version mit Ladefläche und Ladebordwänden aus Eisen[PICKUP STD] |
| 31 | 8121187Z01000 | Scheibe | 1 | Technische Spezifikation: Kastenwagen[VAN] Version mit Ladefläche und Ladebordwänden aus Eisen[PICKUP STD] |
| 32 | 8127087Z02000 | Nummernschildbeleuchtung | 1 | Technische Spezifikation: Kastenwagen[VAN] |
| 33 | 9913211050000 | Lampen | 2 | |
| 34 | 8127187Z01000 | Abdeckung nummernschildbeleuchtung | 1 | |
| 35 | 9356715016000 | Schraube | 3 | |
| 36 | 8127087Z01000 | Nummernschildbeleuchtung | 2 | |
| 37 | 1D000817 | Zusatzbremsleuchte | 1 | Technische Spezifikation: Kastenwagen[VAN] |
| 38 | 1E001104 | Bügel Zusatzbremsleuchte | 1 | Technische Spezifikation: Kastenwagen[VAN] |

| | |
|---------------------|----------------------------------|
| Einheit | Elektrische Anlage |
| Code | 06.04 |
| Beschreibung | Fernschalteren - Batterie - Hupe |
| Inspektion | 1 |



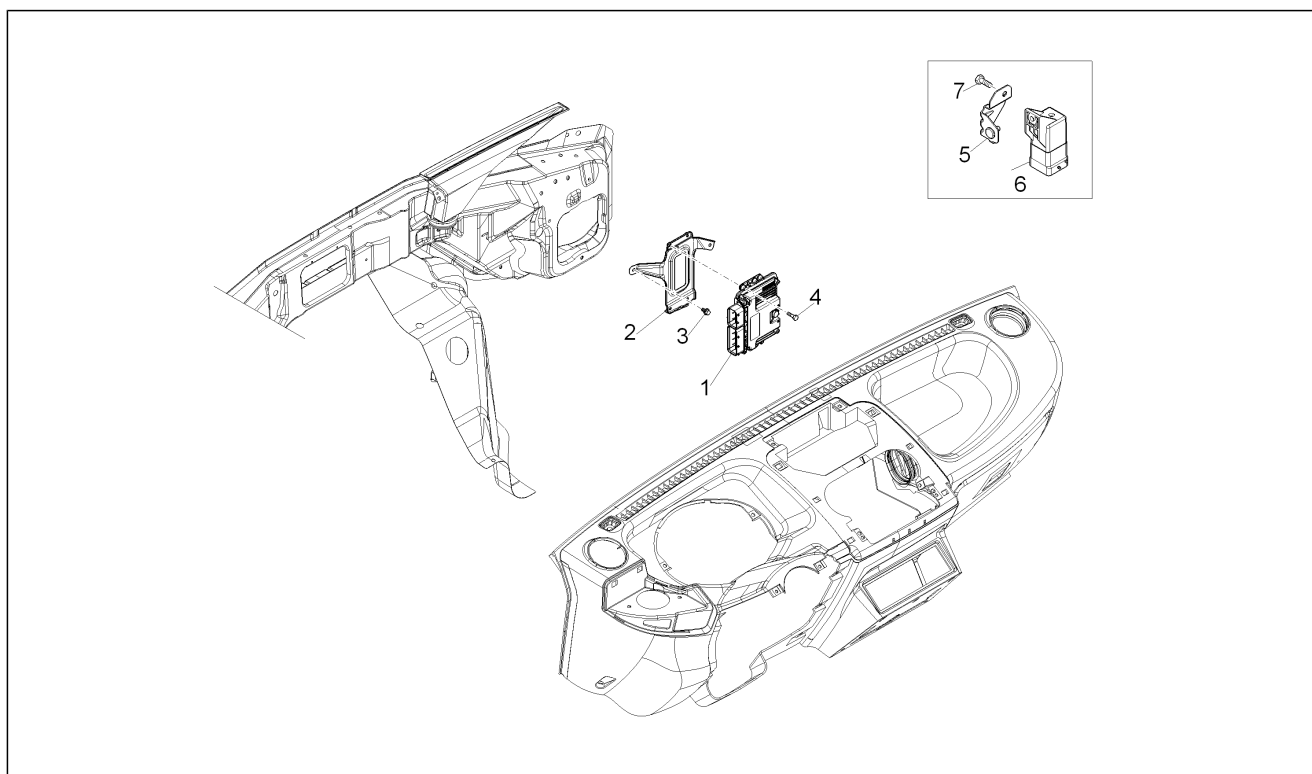
| Pos. | Code | Beschreibung | Menge | Varianten |
|------|---------------|----------------------------|-------|---|
| 1 | 600699M | Batterie 12V-55Ah | 1 | |
| 2 | B023058 | Kappe Batteriepluspol | 1 | |
| 3 | B006174 | Pluskabel Batterie | 1 | Technische Spezifikation: Kastenwagen[VAN] |
| 4 | B004869 | Pluskabel Batterie | 1 | Technische Spezifikation: Version mit vergrößerter Ladefläche und Ladebordwänden aus Legierung[TOP DECK] Version mit vergrößerter Ladefläche und Ladebordwänden aus Eisen[BIG DECK] Version mit Ladefläche und Ladebordwänden aus Eisen[PICKUP STD] Version ohne Ladefläche[CHASSIS] |
| 5 | B004871 | Pluskabel Batterie | 1 | Technische Spezifikation: Version mit kippbarer Ladefläche[TIPPER] |
| 6 | 644286 | Schelle | 1 | |
| 7 | 641458 | Negativkabel | 1 | |
| 8 | 645581 | Entlüftungsschlauch Kühler | 1 | |
| 9 | 9004119556000 | Schraube | 2 | |
| 10 | 8271587Z31000 | Halter | 1 | |
| 11 | D9161261020 | Schraube + Scheibe | 1 | |
| 12 | 257134 | Reißschelle L=277 | 1 | |
| 13 | 9004464482000 | Schelle | 2 | |
| 14 | B004698 | Batterietrommel | 1 | Technische Spezifikation: Kastenwagen[VAN] |
| 14 | B0056275 | Batterietrommel | 1 | Technische Spezifikation: Kastenwagen[VAN] |
| 14 | B007690 | Batterietrommel | 1 | Technische Spezifikation: Kastenwagen[VAN] |
| 15 | 9004480123000 | Kabelführung | 1 | Technische Spezifikation: Kastenwagen[VAN] |
| 15 | B007915 | Kabelführung | 1 | Technische Spezifikation: Kastenwagen[VAN] |
| 16 | D9165140616 | Sechskantschraube | 3 | Technische Spezifikation: Kastenwagen[VAN] |
| 17 | D7445187Z03 | Schraubbolzen | 2 | Technische Spezifikation: Kastenwagen[VAN] |
| 18 | 7448187Z01000 | Schelle | 1 | Technische Spezifikation: Kastenwagen[VAN] |
| 19 | 261317 | Mutter M6x1 | 2 | Technische Spezifikation: Kastenwagen[VAN] |
| 20 | 263425 | Innerer batterieträger | 1 | Technische Spezifikation: Kastenwagen[VAN] |

| | |
|---------------------|----------------------------------|
| Einheit | Elektrische Anlage |
| Code | 06.04 |
| Beschreibung | Fernschalteren - Batterie - Hupe |
| Inspektion | 1 |



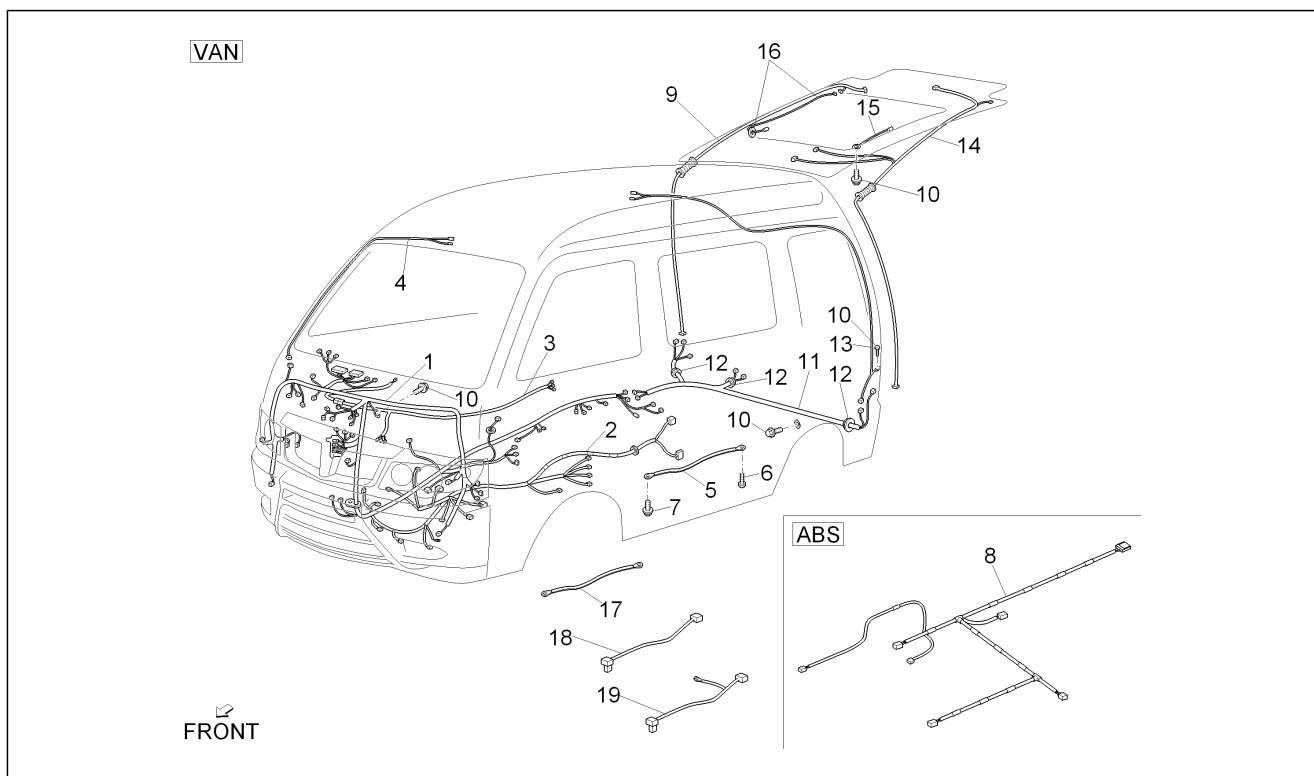
| Pos. | Code | Beschreibung | Menge | Varianten |
|------|---------------|---|-------|---|
| 21 | 262837 | Batteriehalter | 1 | Technische Spezifikation: Alle Pick-up-Versionen[PICKUP] |
| 22 | 9004189001000 | Spreizdübel | 4 | Technische Spezifikation: Alle Pick-up-Versionen[PICKUP] |
| 23 | 9165140614000 | Schraubbolzen | 4 | Technische Spezifikation: Alle Pick-up-Versionen[PICKUP] |
| 24 | 9004208030000 | Unterlegscheibe | 2 | Technische Spezifikation: Alle Pick-up-Versionen[PICKUP] |
| 25 | 263403 | Schelle | 1 | Technische Spezifikation: Alle Pick-up-Versionen[PICKUP] |
| 26 | 261317 | Mutter M6x1 | 1 | Technische Spezifikation: Alle Pick-up-Versionen[PICKUP] |
| 27 | 263400 | Halter | 1 | Technische Spezifikation: Alle Pick-up-Versionen[PICKUP] |
| 28 | 9004159377000 | Schraube | 2 | Technische Spezifikation: Alle Pick-up-Versionen[PICKUP] |
| 29 | 262836 | Batteriedeckel | 1 | Technische Spezifikation: Alle Pick-up-Versionen[PICKUP] |
| 30 | 263740 | Halter | 2 | Technische Spezifikation: Alle Pick-up-Versionen[PICKUP] |
| 31 | 263750 | Schelle | 2 | Technische Spezifikation: Alle Pick-up-Versionen[PICKUP] |
| 32 | 9356055012000 | Schraube | 4 | Technische Spezifikation: Alle Pick-up-Versionen[PICKUP] |
| 33 | D4815587Z01 | Käfigmutter | 1 | Technische Spezifikation: Alle Pick-up-Versionen[PICKUP] |
| 34 | 566819 | Bausatz schloßzylinder | 1 | Technische Spezifikation: Alle Pick-up-Versionen[PICKUP] |
| 35 | 660522 | Akustischer Signalgeber | 1 | |
| 36 | D9161140814 | Schraube + Scheibe | 1 | |
| 37 | B007372 | Relais Blinkgeber | 1 | |
| 38 | B007353 | Fernschalter A727 12V-30A 702.50 46520422 | 1 | |
| 39 | B004583 | Bügel Sicherungshalter | 1 | Technische Spezifikation: Alle Pick-up-Versionen[PICKUP] |
| 40 | B006175 | Sicherungskasten | 1 | |
| 41 | 620356 | Mutter | 2 | |
| 42 | B005943 | Anschluss | 1 | |
| 43 | 013763 | Flachscheibe 4,2x12x1 | 2 | |

| | |
|---------------------|-------------------------------|
| Einheit | Elektrische Anlage |
| Code | 06.06 |
| Beschreibung | Steuerelektroniken - Sensoren |
| Inspektion | 1 |



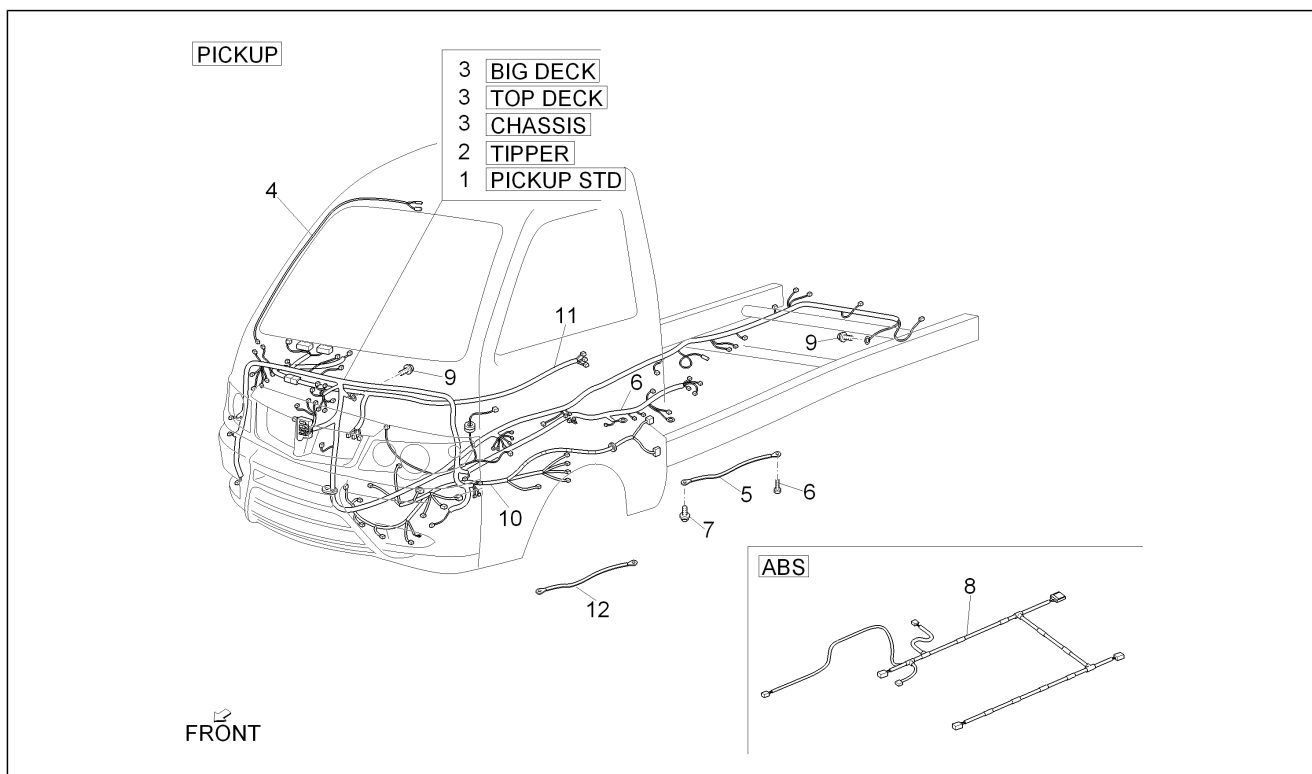
| Pos. | Code | Beschreibung | Menge | Varianten |
|------|---------------|-----------------------------|-------|-----------|
| 1 | 660610 | Elektronische Steuereinheit | 1 | |
| 2 | B004737 | Halterbügel Steuerung | 1 | |
| 3 | D9165140616 | Sechskantschraube | 3 | |
| 4 | 9165160625000 | Schraubbolzen | 4 | |
| 5 | B006127 | Halterbügel Steuerung | 1 | |
| 6 | 660617 | Vorglührelais | 1 | |
| 7 | D9165140616 | Sechskantschraube | 2 | |

| | |
|---------------------|--------------------|
| Einheit | Elektrische Anlage |
| Code | 06.07 |
| Beschreibung | Hauptkabelbaum |
| Inspektion | 1 |



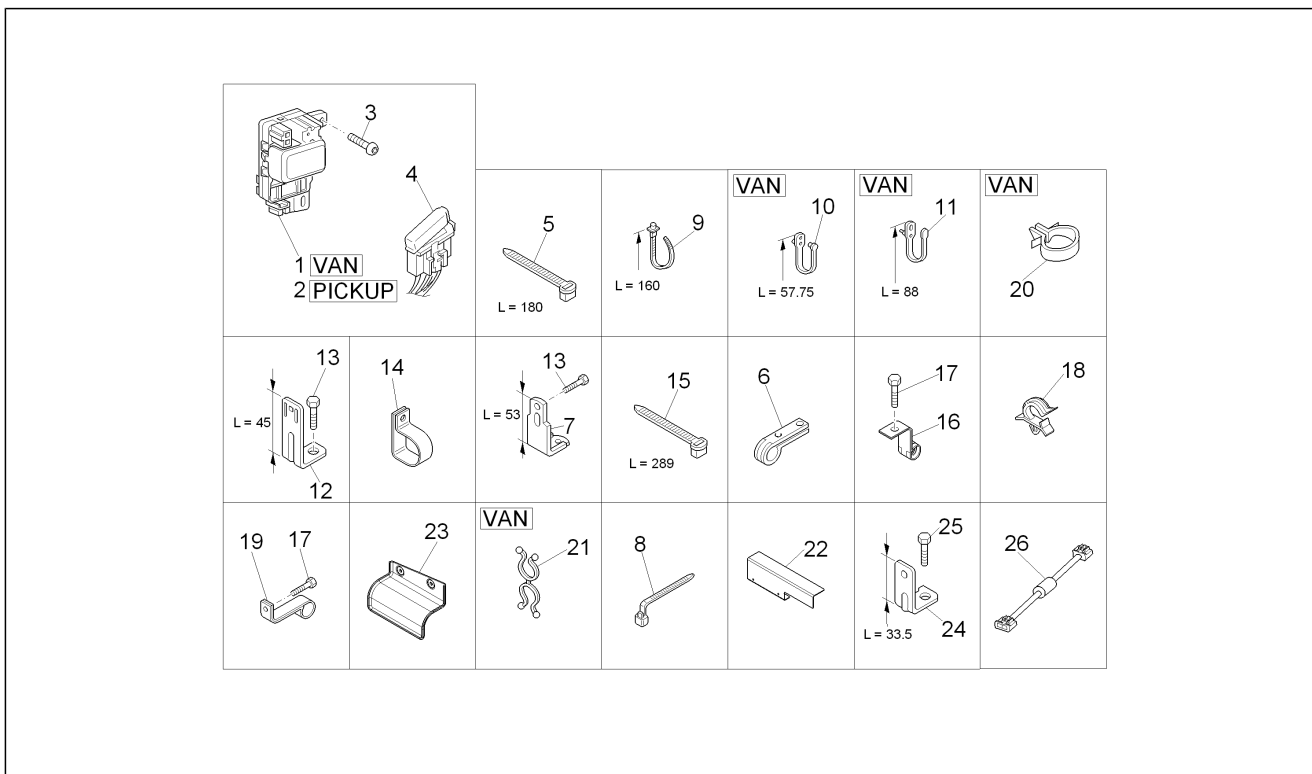
| Pos. | Code | Beschreibung | Menge | Varianten |
|------|---------------|--|-------|---|
| 1 | B004863 | Hauptelektroanlage | 1 | Technische Spezifikation:Kastenwagen[VAN] |
| 1 | B023193 | Hauptelektroanlage | 1 | Technische Spezifikation:Kastenwagen[VAN] |
| 2 | 641441 | Motor Kabel | 1 | Technische Spezifikation:Kastenwagen[VAN] |
| 3 | B004467 | Federbügel Zubehör | 1 | Technische Spezifikation:Kastenwagen[VAN] |
| 4 | B004364 | Federbügel Innenraumbeleuchtung | 1 | Technische Spezifikation:Kastenwagen[VAN] |
| 5 | B006161 | Massekabel | 1 | Technische Spezifikation:Kastenwagen[VAN] |
| 6 | D9004119554 | Schraubbolzen mit Unterlegscheibe | 1 | Technische Spezifikation:Kastenwagen[VAN] |
| 7 | D9165140616 | Sechskantschraube | 1 | Technische Spezifikation:Kastenwagen[VAN] |
| 8 | B004455 | Federbügel ABS-Steuergerät | 1 | Technische Spezifikation:Kastenwagen[VAN] |
| 9 | B004520 | Verkabelung Klappe hinten | 1 | Technische Spezifikation:Kastenwagen[VAN] |
| 10 | 9004119450000 | Schraubbolzen | 4 | Technische Spezifikation:Kastenwagen[VAN] |
| 11 | B004521 | Verkabelung Klappe hinten | 1 | Technische Spezifikation:Kastenwagen[VAN] |
| 12 | 9004480161000 | Kabelführung | 3 | Technische Spezifikation:Kastenwagen[VAN] |
| 13 | 8217287Z01000 | Verkabelung Klappe hinten | 1 | Technische Spezifikation:Kastenwagen[VAN] |
| 14 | B004604 | Verkabelung Klappe hinten | 1 | Technische Spezifikation:Kastenwagen[VAN] |
| 15 | 8218787Z01000 | Van | 1 | Technische Spezifikation:Kastenwagen[VAN] |
| 16 | 8218687Z01000 | Kabel | 1 | Technische Spezifikation:Kastenwagen[VAN] |
| 17 | B005957 | Massekabel Motor | 1 | Technische Spezifikation:Kastenwagen[VAN] |
| 18 | B023073 | Adapter für alten Kraftstoffstandgeber | 1 | Technische Spezifikation:Kastenwagen[VAN] |
| 19 | B023074 | Adapter für neuen Kraftstoffstandgeber | 1 | Technische Spezifikation:Kastenwagen[VAN] |

| | |
|---------------------|--------------------|
| Einheit | Elektrische Anlage |
| Code | 06.08 |
| Beschreibung | Hauptkabelbaum II |
| Inspektion | 1 |



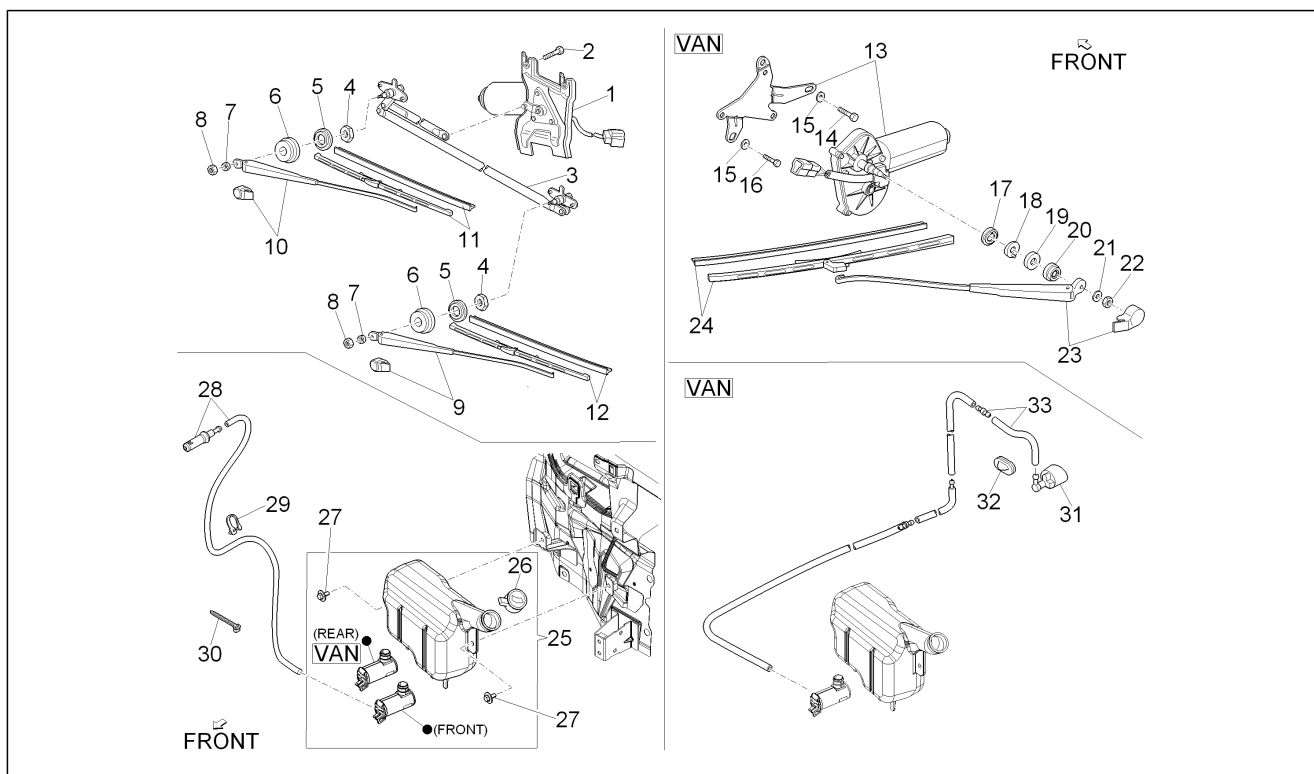
| Pos. | Code | Beschreibung | Menge | Varianten |
|------|---------------|-----------------------------------|-------|---|
| 1 | B004857 | Hauptelektroanlage | 1 | Technische Spezifikation: Version mit Ladefläche und Ladebordwänden aus Eisen[PICKUP STD] |
| 1 | B023190 | Hauptelektroanlage | 1 | Technische Spezifikation: Version mit Ladefläche und Ladebordwänden aus Eisen[PICKUP STD] |
| 2 | B004861 | Hauptelektroanlage | 1 | Technische Spezifikation: Version mit kippbarer Ladefläche[TIPPER] |
| 2 | B023192 | Hauptelektroanlage | 1 | Technische Spezifikation: Version mit kippbarer Ladefläche[TIPPER] |
| 2 | 1D000652 | Hauptelektroanlage | 1 | Technische Spezifikation: Version mit kippbarer Ladefläche[TIPPER] |
| 3 | B004859 | Hauptelektroanlage | 1 | Technische Spezifikation: Version ohne Ladefläche[CHASSIS] Version mit vergrößerter Ladefläche und Ladebordwänden aus Eisen[BIG DECK] Version mit vergrößerter Ladefläche und Ladebordwänden aus Legierung[TOP DECK] |
| 3 | B023191 | Hauptelektroanlage | 1 | Technische Spezifikation: Version mit vergrößerter Ladefläche und Ladebordwänden aus Eisen[BIG DECK] Version ohne Ladefläche[CHASSIS] Version mit vergrößerter Ladefläche und Ladebordwänden aus Legierung[TOP DECK] |
| 4 | B004364 | Federbügel Innenraumbeleuchtung | 1 | Technische Spezifikation: Alle Pick-up-Versionen[PICKUP] |
| 5 | B006161 | Massekabel | 1 | Technische Spezifikation: Alle Pick-up-Versionen[PICKUP] |
| 6 | D9004119554 | Schraubbolzen mit Unterlegscheibe | 1 | Technische Spezifikation: Alle Pick-up-Versionen[PICKUP] |
| 7 | D9165140616 | Sechskantschraube | 1 | Technische Spezifikation: Alle Pick-up-Versionen[PICKUP] |
| 8 | B004053 | Federbügel ABS-Steuergerät | 1 | Technische Spezifikation: Alle Pick-up-Versionen[PICKUP] |
| 9 | 9004119450000 | Schraubbolzen | 3 | Technische Spezifikation: Alle Pick-up-Versionen[PICKUP] |
| 10 | 641441 | Motor Kabel | 1 | Technische Spezifikation: Alle Pick-up-Versionen[PICKUP] |
| 11 | B004059 | Federbügel Zubehör | 1 | Technische Spezifikation: Alle Pick-up-Versionen[PICKUP] |
| 12 | B005957 | Massekabel Motor | 1 | Technische Spezifikation: Alle Pick-up-Versionen[PICKUP] |

| | |
|---------------------|-----------------------------|
| Einheit | Elektrische Anlage |
| Code | 06.09 |
| Beschreibung | Bauteile elektrische Anlage |
| Inspektion | 1 |



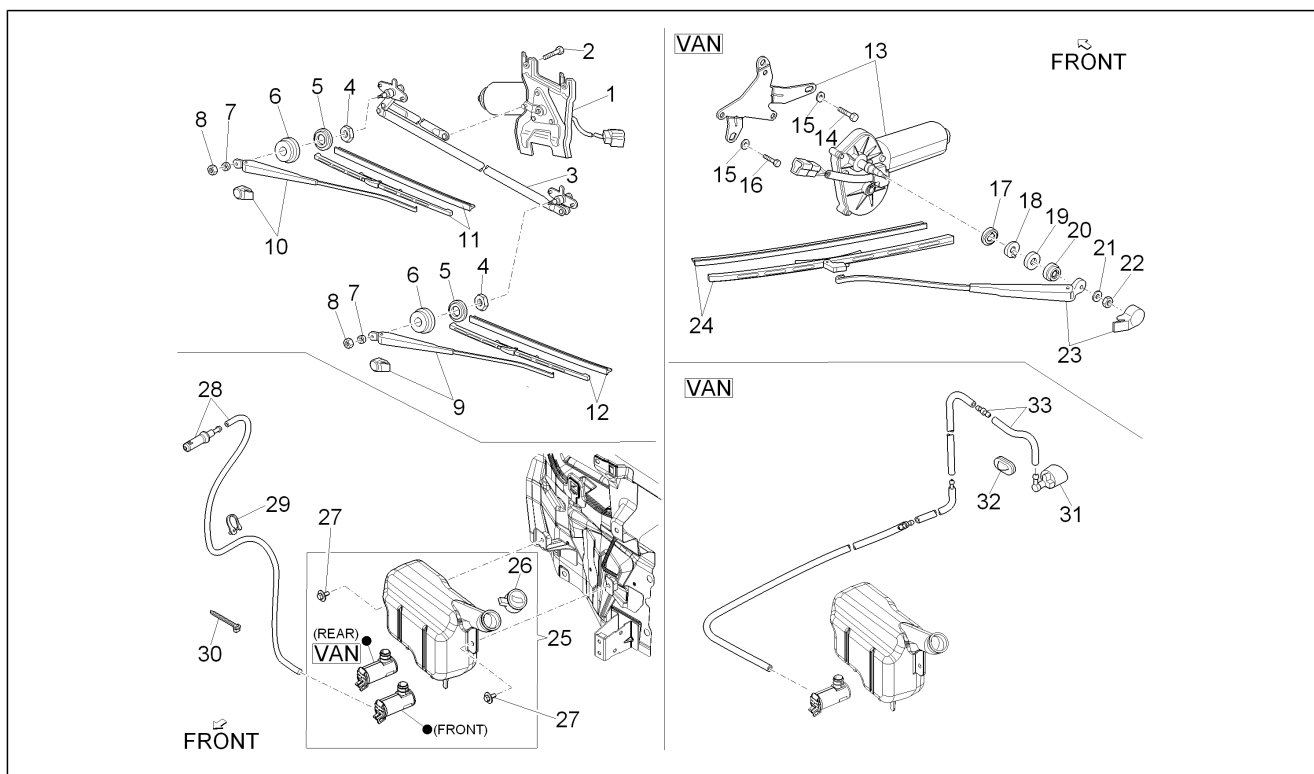
| Pos. | Code | Beschreibung | Menge | Varianten |
|------|---------------|--|-------|---|
| 1 | 8260087539000 | Sicherungseinheit komplett | 1 | Technische Spezifikation: Kastenwagen[VAN] |
| 2 | 8260087538000 | Sicherungseinheit komplett | 1 | Technische Spezifikation: Alle Pick-up-Versionen[PICKUP] |
| 3 | D9338315020 | Schraube + Scheibe | 2 | |
| 4 | 8261087510000 | Sicherungshalter | 1 | |
| 5 | 145298 | Reißschelle L= 180 mm | 6 | |
| 6 | 9004461420000 | Schelle | 3 | |
| 7 | 8271587204000 | Schelle | 1 | |
| 8 | 9004464484000 | Schelle | 1 | |
| 9 | 9004464190000 | Schelle | 2 | |
| 10 | D9004464072 | Schelle | 5 | Technische Spezifikation: Kastenwagen[VAN] |
| 11 | D9004464044 | Schelle | 2 | Technische Spezifikation: Kastenwagen[VAN] |
| 12 | D8271587229 | Bügel | 1 | |
| 13 | D9165140612 | Sechskantschraube | 2 | |
| 14 | B004729 | Schelle | 1 | |
| 15 | 257134 | Reißschelle L=277 | 1 | |
| 16 | D9004461389 | Schelle | 2 | |
| 17 | D9165140616 | Sechskantschraube | 5 | |
| 18 | D9004464092 | Schelle | 1 | |
| 19 | 566063 | Bügel | 2 | |
| 20 | 191002 | Kleine Feder | 4 | Technische Spezifikation: Kastenwagen[VAN] |
| 21 | 9004464240000 | Schelle | 1 | |
| 22 | B004700 | Halterbügel | 1 | |
| 23 | B007203 | Schutzbügel Scheibenwischerverkabelung | 1 | |
| 24 | 8271587230000 | Schelle | 1 | |
| 25 | 9165141016000 | Stehbolzen | 1 | |
| 26 | 1D001021 | Kabel mit antiparalleler Diode | 1 | |

| | |
|---------------------|---------------------------------------|
| Einheit | Elektrische Anlage |
| Code | 06.12 |
| Beschreibung | Vorderer und hinterer Scheibenwischer |
| Inspektion | 2 |



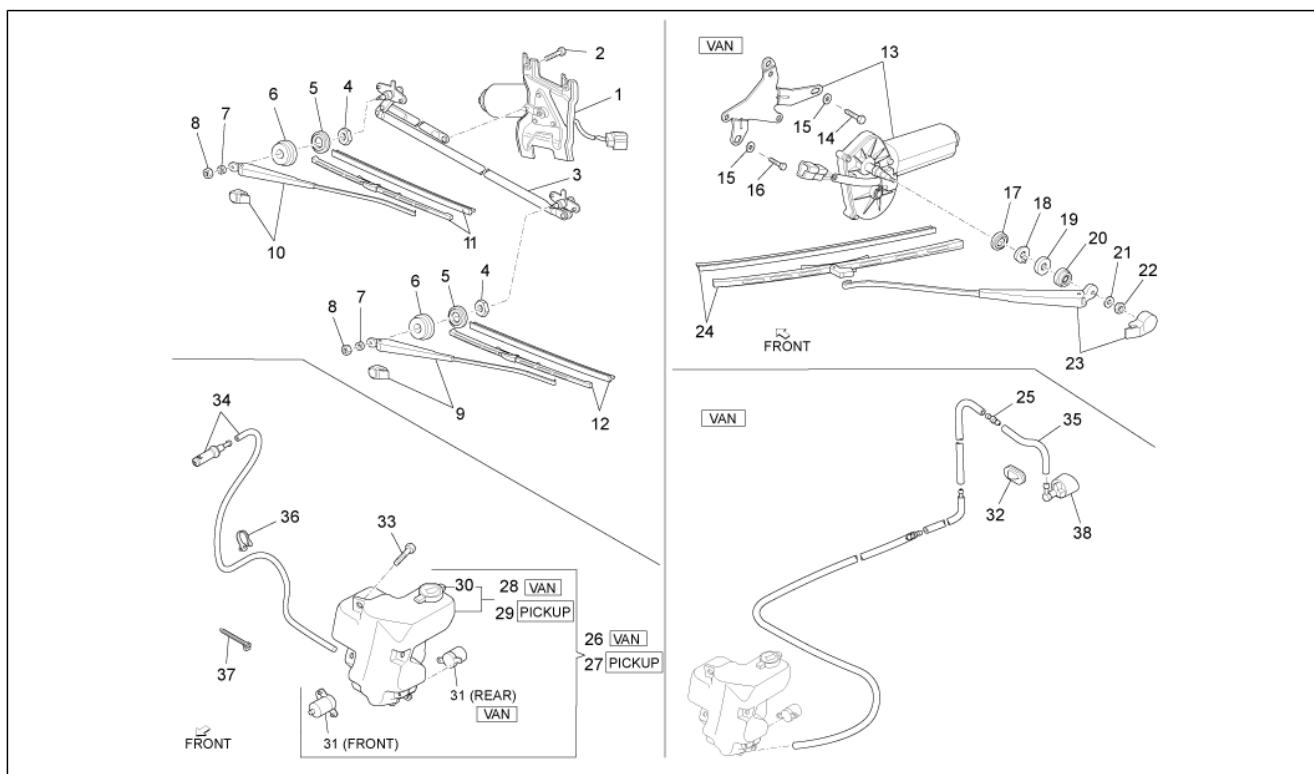
| Pos. | Code | Beschreibung | Menge | Varianten |
|------|---------------|----------------------------------|-------|--|
| 1 | B006169 | Scheibenwischermotor | 1 | |
| 2 | AP8150073 | Sechskantschraube M6x30 | 4 | |
| 3 | 615895 | Fensterheberantrieb | 1 | |
| 4 | 645436 | Mutter | 2 | |
| 5 | 645435 | Dichtung | 2 | |
| 6 | 645434 | Flachscheibe | 2 | |
| 7 | 006968 | Federring | 2 | |
| 8 | 810688 | Mutter | 2 | |
| 9 | 660704 | Scheibenwischerarm DX 417 mm | 1 | |
| 10 | 660705 | Scheibenwischerarm SX 441,5 mm | 1 | |
| 11 | 615897 | Wischblatt SX 410 mm | 1 | |
| 12 | 615902 | Wischblatt DX 380 mm | 1 | |
| 13 | B004603 | Scheibenwischermotor rückfenster | 1 | Technische Spezifikation:Kastenwagen[VAN] |
| 14 | D9165140614 | Sechskantschraube | 2 | Technische Spezifikation:Kastenwagen[VAN] |
| 15 | 006175 | Flachscheibe | 3 | Technische Spezifikation:Kastenwagen[VAN] |
| 16 | 9004119450000 | Schraubbolzen | 1 | Technische Spezifikation:Kastenwagen[VAN] |
| 17 | 645932 | Verschlusschraube | 1 | Technische Spezifikation:Kastenwagen[VAN] |
| 18 | 645934 | Äußerer Abstandhalter | 1 | Technische Spezifikation:Kastenwagen[VAN] |
| 19 | 645933 | Interner Abstandhalter | 1 | Technische Spezifikation:Kastenwagen[VAN] |
| 20 | 645931 | Becher | 1 | Technische Spezifikation:Kastenwagen[VAN] |
| 21 | 006968 | Federring | 1 | Technische Spezifikation:Kastenwagen[VAN] |
| 22 | 645930 | Sechskantmutter | 1 | Technische Spezifikation:Kastenwagen[VAN] |
| 23 | 644535 | Scheibenwischerarm rückfenster | 1 | Technische Spezifikation:Kastenwagen[VAN] |
| 24 | 644536 | Bürste | 1 | Technische Spezifikation:Kastenwagen[VAN] |
| 25 | B023317 | Behälter scheibenwaschanlage | 1 | Technische Spezifikation:Alle Pick-up-Versionen[PICKUP] |
| 25 | 1E001186 | Behälter scheibenwaschanlage | 1 | Technische Spezifikation:Alle Pick-up-Versionen[PICKUP] Modellversion mit Vorrichtung DRL "Daytime Running Lamp"[DRL] |

| | |
|---------------------|---------------------------------------|
| Einheit | Elektrische Anlage |
| Code | 06.12 |
| Beschreibung | Vorderer und hinterer Scheibenwischer |
| Inspektion | 2 |



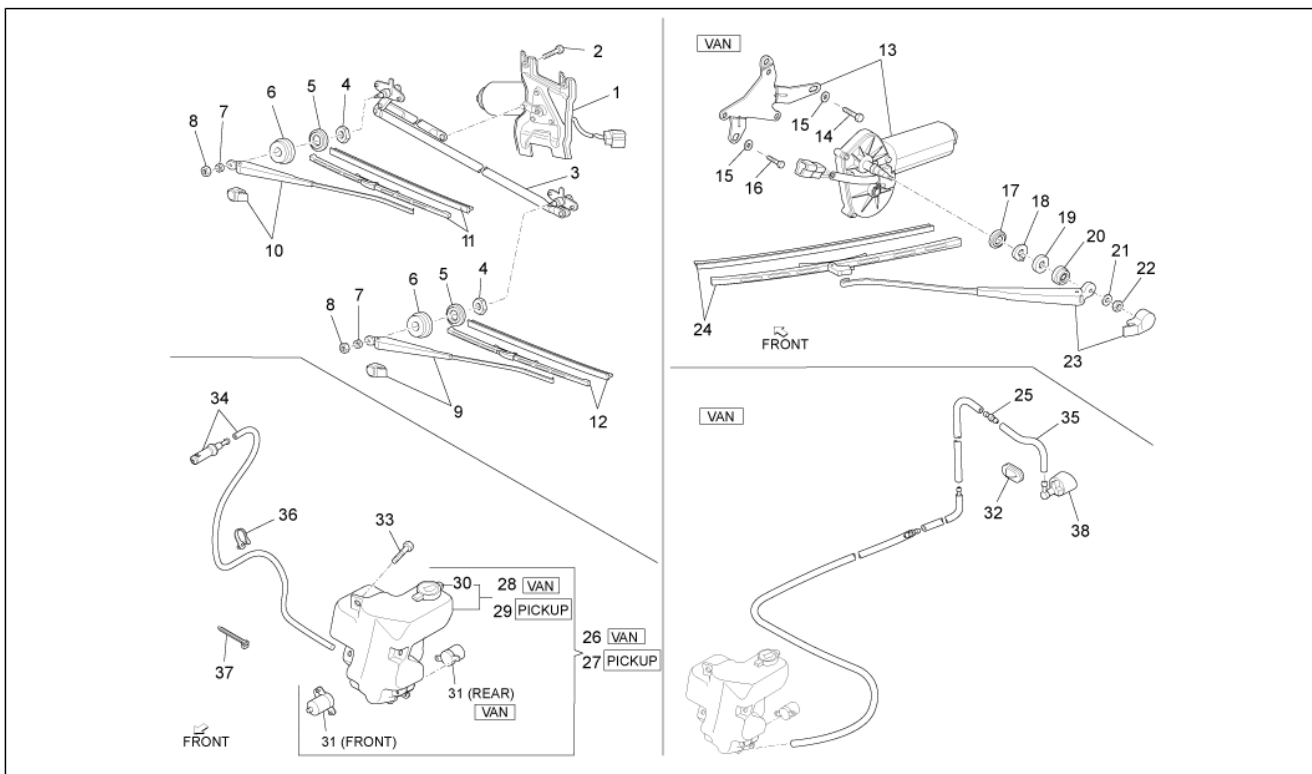
| Pos. | Code | Beschreibung | Menge | Varianten |
|------|---------------|------------------------------|-------|---|
| 25 | B023331 | Behälter scheibenwaschanlage | 1 | Technische Spezifikation: Kastenwagen[VAN] |
| 25 | 1E001188 | Behälter scheibenwaschanlage | 1 | Technische Spezifikation: Kastenwagen[VAN] Modellversion mit Vorrichtung DRL "Daytime Running Lamp"[DRL] |
| 26 | 8533287Z01000 | Deckel | 1 | |
| 27 | D9165140620 | Flanschschraube | 2 | |
| 28 | B004936 | Wischwasserdüse | 1 | |
| 28 | B023327 | Wischwasserdüse | 1 | |
| 29 | D9004464072 | Schelle | 3 | |
| 30 | 9004464484000 | Schelle | 1 | |
| 31 | 8503587Z01000 | Hintere scheibenwaschanlage | 1 | Technische Spezifikation: Kastenwagen[VAN] |
| 32 | D9004480370 | Kabelführung | 1 | |
| 33 | B023449 | Scheibenwascher leitung | 1 | Technische Spezifikation: Kastenwagen[VAN] |

| | |
|---------------------|---------------------------------------|
| Einheit | Elektrische Anlage |
| Code | 06.12 |
| Beschreibung | Vorderer und hinterer Scheibenwischer |
| Inspektion | 1 |



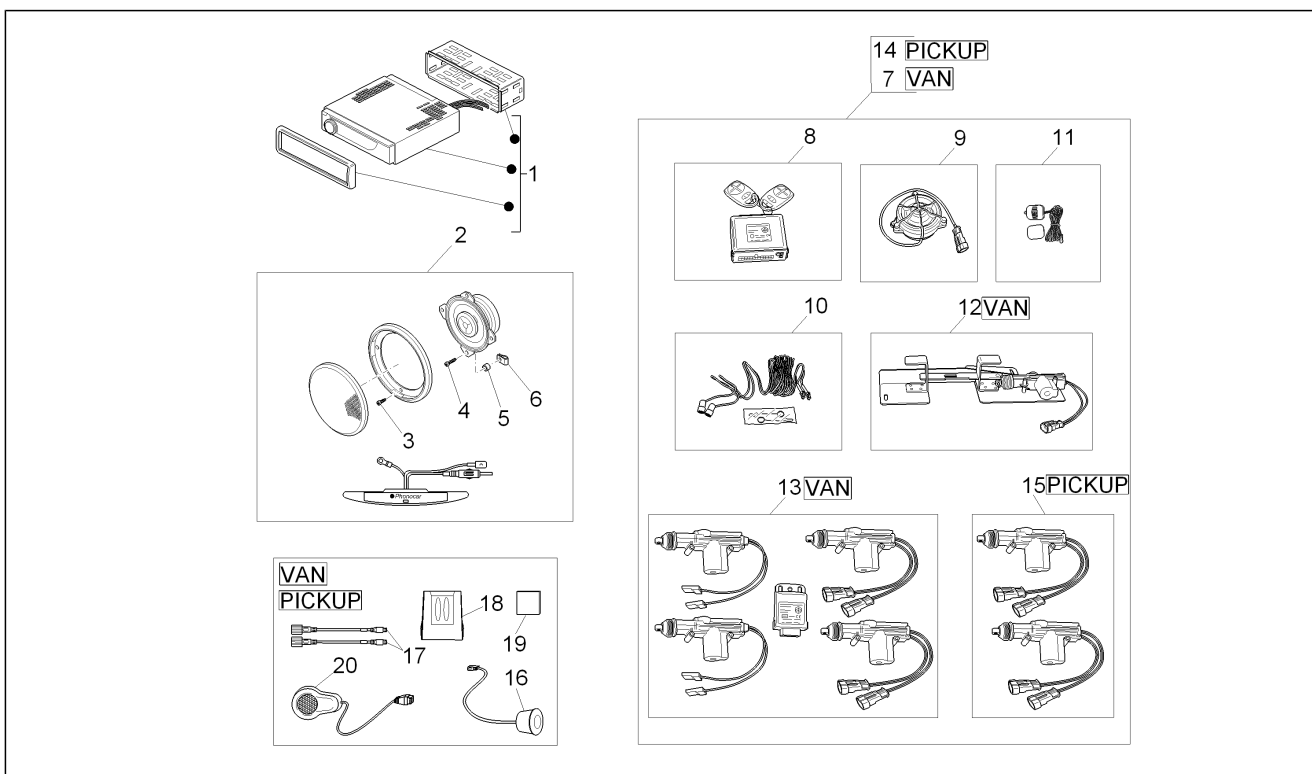
| Pos. | Code | Beschreibung | Menge | Varianten |
|------|---------------|------------------------------------|-------|---|
| 1 | B006169 | Scheibenwischermotor | 1 | |
| 2 | AP8150073 | Sechskantschraube M6x30 | 4 | |
| 3 | 615895 | Fensterheberantrieb | 1 | |
| 4 | 645436 | Mutter | 2 | |
| 5 | 645435 | Dichtung | 2 | |
| 6 | 645434 | Flachscheibe | 2 | |
| 7 | 006968 | Federring | 2 | |
| 8 | 810688 | Mutter | 2 | |
| 9 | 660704 | Scheibenwischerarm DX 417 mm | 1 | |
| 10 | 660705 | Scheibenwischerarm SX 441,5 mm | 1 | |
| 11 | 615897 | Wischblatt SX 410 mm | 1 | |
| 12 | 615902 | Wischblatt DX 380 mm | 1 | |
| 13 | B004603 | Scheibenwischermotor rückfenster | 1 | Technische Spezifikation:Kastenwagen[VAN] |
| 14 | 9165140614000 | Schraubbolzen | 2 | Technische Spezifikation:Kastenwagen[VAN] |
| 15 | 006175 | Flachscheibe | 3 | Technische Spezifikation:Kastenwagen[VAN] |
| 16 | 9004119450000 | Schraubbolzen | 1 | Technische Spezifikation:Kastenwagen[VAN] |
| 17 | 645932 | Verschlusschraube | 1 | Technische Spezifikation:Kastenwagen[VAN] |
| 18 | 645934 | Äußerer Abstandhalter | 1 | Technische Spezifikation:Kastenwagen[VAN] |
| 19 | 645933 | Interner Abstandhalter | 1 | Technische Spezifikation:Kastenwagen[VAN] |
| 20 | 645931 | Becher | 1 | Technische Spezifikation:Kastenwagen[VAN] |
| 21 | 006968 | Federring | 1 | Technische Spezifikation:Kastenwagen[VAN] |
| 22 | 645930 | Sechskantmutter | 1 | Technische Spezifikation:Kastenwagen[VAN] |
| 23 | 644535 | Scheibenwischerarm rückfenster | 1 | Technische Spezifikation:Kastenwagen[VAN] |
| 24 | 644536 | Bürste | 1 | Technische Spezifikation:Kastenwagen[VAN] |
| 25 | 8534987Z01000 | Anschluß hintere scheibenwaschanla | 1 | Technische Spezifikation:Kastenwagen[VAN] |
| 26 | 8508087Z02000 | Behälter scheibenwaschanlage | 1 | Technische Spezifikation:Kastenwagen[VAN] |
| 26 | B023331 | Behälter scheibenwaschanlage | 1 | Technische Spezifikation:Kastenwagen[VAN] |
| 27 | 8508087Z01000 | Behälter scheibenwaschanlage | 1 | Technische Spezifikation:Alle Pick-up-Versionen[PICKUP] |

| | |
|---------------------|---------------------------------------|
| Einheit | Elektrische Anlage |
| Code | 06.12 |
| Beschreibung | Vorderer und hinterer Scheibenwischer |
| Inspektion | 1 |



| Pos. | Code | Beschreibung | Menge | Varianten |
|------|---------------|------------------------------|-------|---|
| 27 | B023317 | Behälter scheibenwaschanlage | 1 | Technische Spezifikation: Alle Pick-up-Versionen[PICKUP] |
| 28 | 8533087Z02000 | Behälter scheibenwaschanlage | 1 | Technische Spezifikation: Kastenwagen[VAN] |
| 29 | 8533087Z01000 | Behälter scheibenwaschanlage | 1 | Technische Spezifikation: Alle Pick-up-Versionen[PICKUP] |
| 30 | 8533287Z01000 | Deckel | 1 | |
| 31 | 8531087Z02000 | Pumpe scheibenwaschanlage | 2 | Technische Spezifikation: Kastenwagen[VAN] |
| 31 | 8531087Z02000 | Pumpe scheibenwaschanlage | 1 | Technische Spezifikation: Alle Pick-up-Versionen[PICKUP] |
| 32 | D9004480370 | Kabelführung | 1 | |
| 33 | D9165140620 | Flanschschraube | 3 | |
| 34 | B004936 | Wischwasserdüse | 1 | |
| 34 | B023327 | Wischwasserdüse | 1 | |
| 35 | D8538087Z01 | Rohr | 1 | Technische Spezifikation: Kastenwagen[VAN] |
| 36 | D9004464072 | Schelle | 3 | |
| 37 | 9004464484000 | Schelle | 1 | |
| 38 | 8503587Z01000 | Hinterer scheibenwaschanlage | 1 | Technische Spezifikation: Kastenwagen[VAN] |

| | |
|---------------------|--------------------|
| Einheit | Elektrische Anlage |
| Code | 06.13 |
| Beschreibung | Optional |
| Inspektion | 1 |



| Pos. | Code | Beschreibung | Menge | Varianten |
|------|----------|---|-------|---|
| 1 | B004452 | Kit Radio | 1 | |
| 2 | B005884 | Kit Lautsprecher und Antenne | 1 | |
| 3 | 018536 | Gew.schr. 3,5x13 | 8 | |
| 4 | 015994 | Linsenschraube 3,5x19* | 6 | |
| 5 | 623770 | Distanzscheibe | 6 | |
| 6 | CM017405 | Federplättchen | 6 | |
| 7 | B004450 | Kit Zentralverriegelung und Diebstahlsicherung PICK LHD | 1 | Technische Spezifikation: Kastenwagen[VAN] |
| 7 | B006178 | Alarm-Kit für Fahrzeug Porter Van | 1 | |
| 8 | B005705 | Steuergerät + 2 Fernbedienungen | 1 | |
| 9 | B004461 | Siren | 1 | |
| 10 | B004462 | Paar Messwertgeber | 1 | Technische Spezifikation: Kastenwagen[VAN] |
| 10 | B025626 | Paar Messwertgeber | 1 | Technische Spezifikation: Kastenwagen[VAN] |
| 10 | B025105 | Paar Halter Messwertgeber | 1 | Technische Spezifikation: Kastenwagen[VAN] |
| 11 | B004463 | Led | 1 | |
| 12 | B004465 | Platte | 1 | Technische Spezifikation: Kastenwagen[VAN] |
| 13 | B004466 | Steuergerät und Stellvorrichtungen | 1 | Technische Spezifikation: Kastenwagen[VAN] |
| 14 | B004451 | Kit Zentralverriegelung und Diebstahlsicherung | 1 | Technische Spezifikation: Alle Pick-up-Versionen[PICKUP] |
| 15 | B004464 | Paar Stellvorrichtungen | 1 | Technische Spezifikation: Alle Pick-up-Versionen[PICKUP] |
| 16 | B004245 | Ultraschall-Messwertgeber | 2 | Technische Spezifikation: Kastenwagen[VAN] |
| 16 | B025103 | Ultraschall-Messwertgeber | 2 | Technische Spezifikation: Kastenwagen[VAN] |
| 17 | B004246 | Verkabelung Messwertgeber | 2 | |
| 17 | B025106 | Verkabelung Messwertgeber | 2 | |
| 18 | 661037 | Steuerelektronik Parksensoren | 1 | |
| 19 | 661042 | Biadhese | 1 | |
| 20 | 661039 | Akustischer Signalgeber | 1 | |